

ASSEMBLY INSTRUCTION

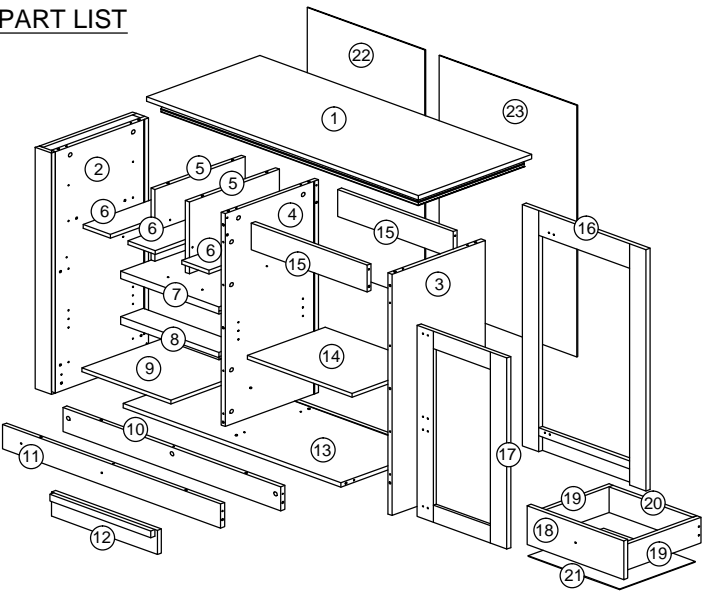
MODEL : BH-003

DESCRIPTION : BUFFET

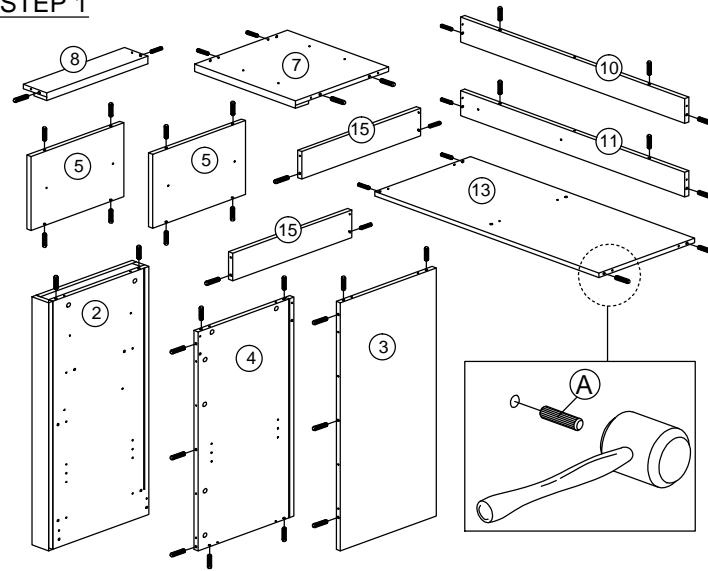
HARDWARE

A WOOD DOWEL M8 X 25MM 44	B MINIFIX 5654+5546 34 SETS	B1 B2 B3 QUICKFIT CAP	C CB SCREW M3.5X16MM 40	D CB SCREW M4X28MM 2	E CB SCREW M4X38MM 8	F ALLEN KEY M4 1	G G1 HANDLE 3A 1	G2 HANDLE SCREW M4X35MM 1	H PVC NAIL WITH PIN 5/8 6	I SHELF SUPPORT 20	J CORNER HINGES 2	K K1 K2 K3 K4 K5 K6 HANDLE DOOR 1 SET	L PVC CORNER L BRACKET 4	M CSK CAP WOOD M6X40MM 4	N N1 N2 DRAWER SLIDE 12" 1 SET
---	--	---	---	--------------------------------------	--------------------------------------	----------------------------------	-------------------------------------	---	---	---------------------------------	--------------------------------	---	--	--	--

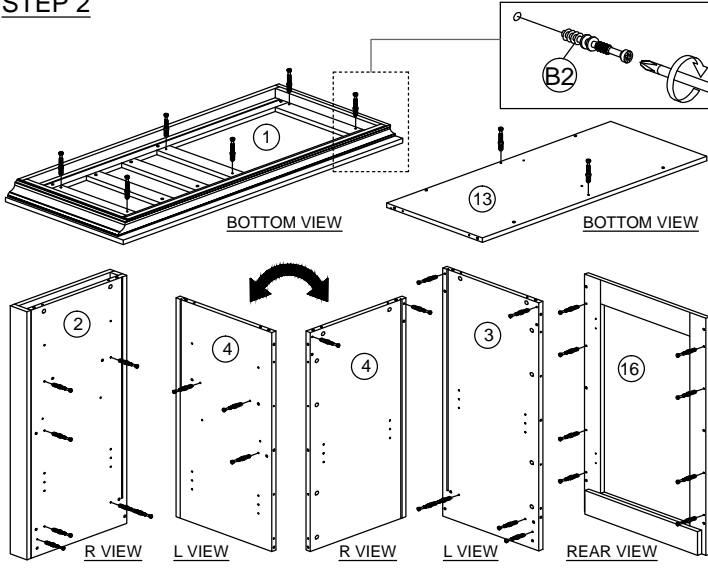
PART LIST



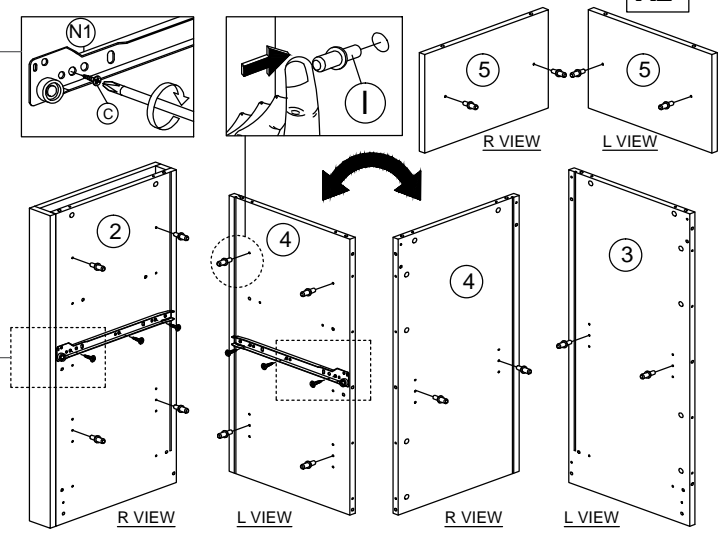
STEP 1



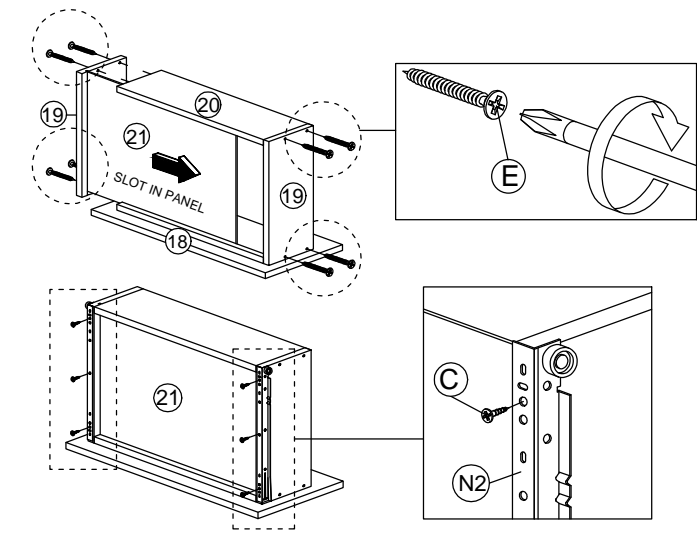
STEP 2



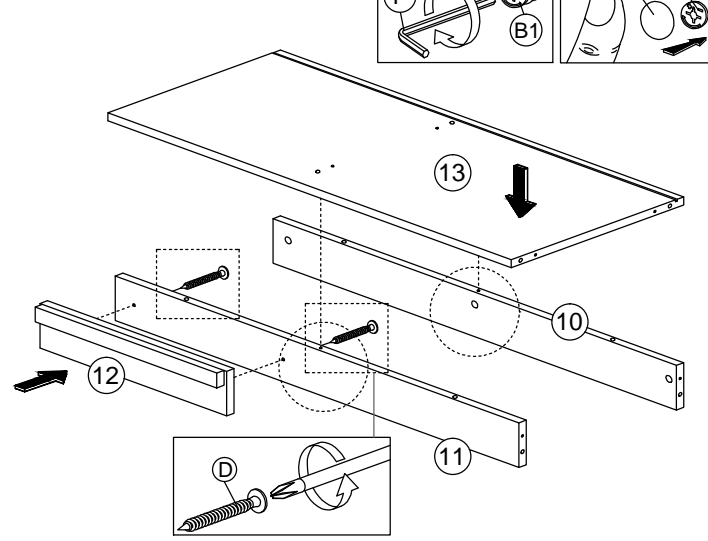
STEP 3



STEP 4

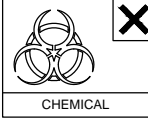


STEP 5

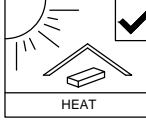




SOFT, DRY CLOTH



CHEMICAL



HEAT



KEEP DRY



HANDLE WITH CARE



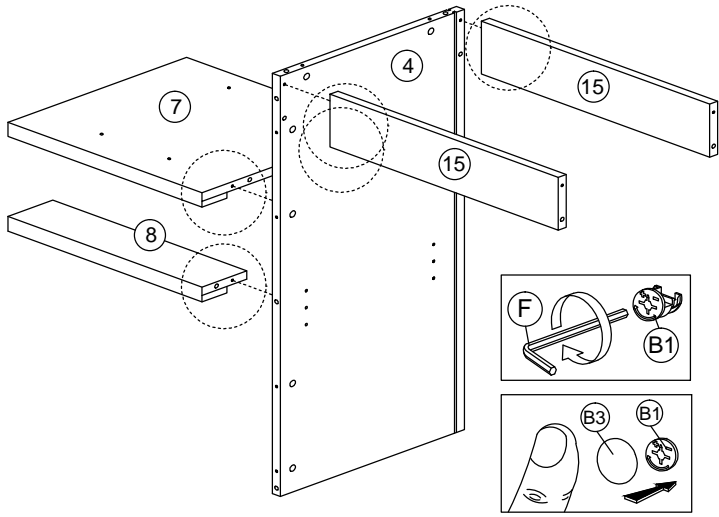
DO NOT USE KNIFE

ASSEMBLY INSTRUCTION

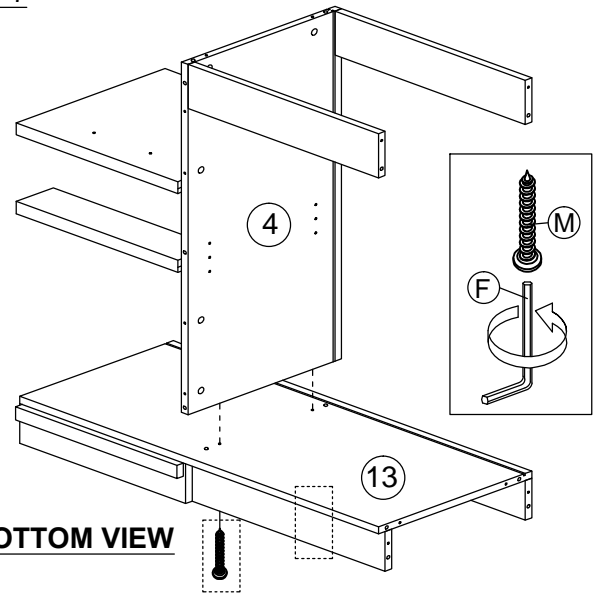
MODEL : BH-003

DESCRIPTION : BUFFET

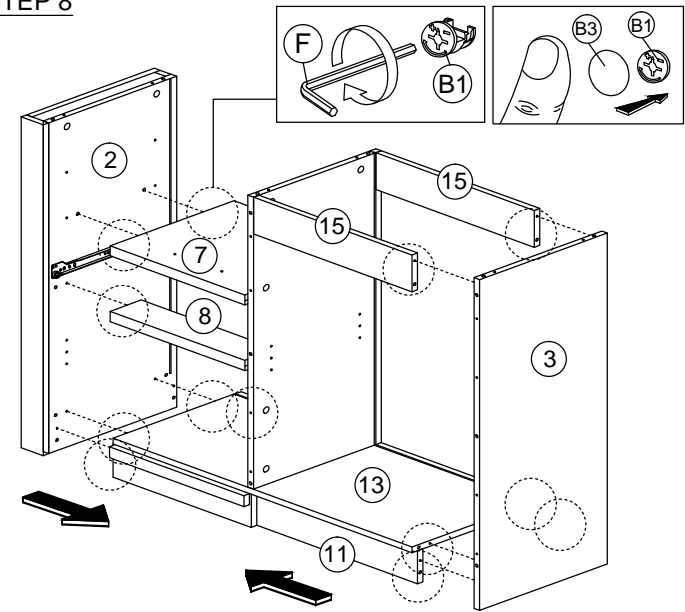
STEP 6



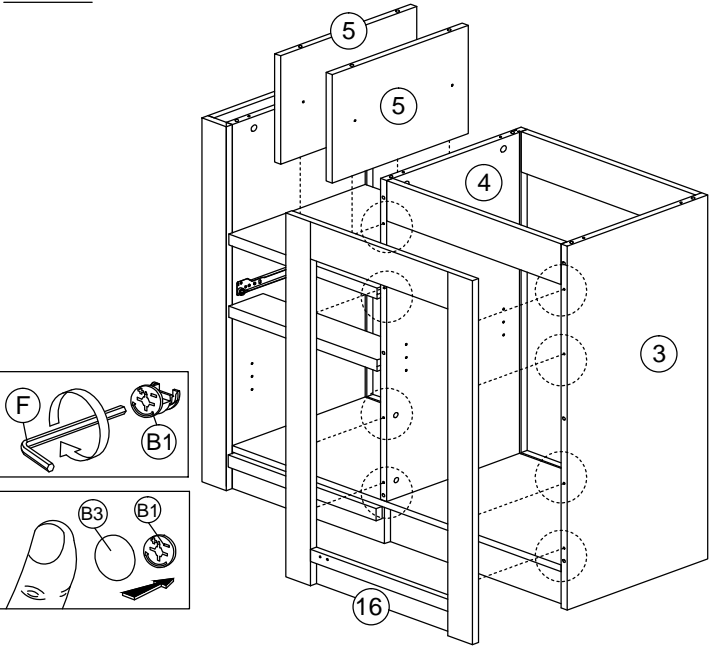
STEP 7



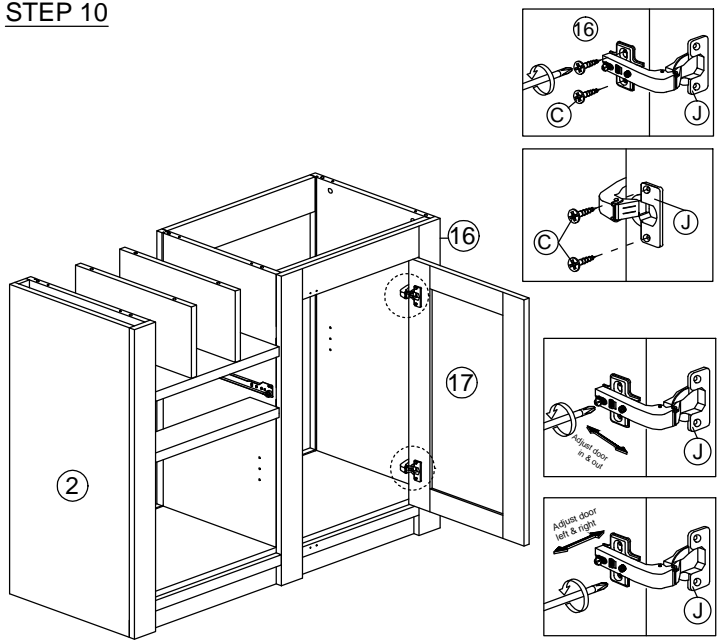
STEP 8



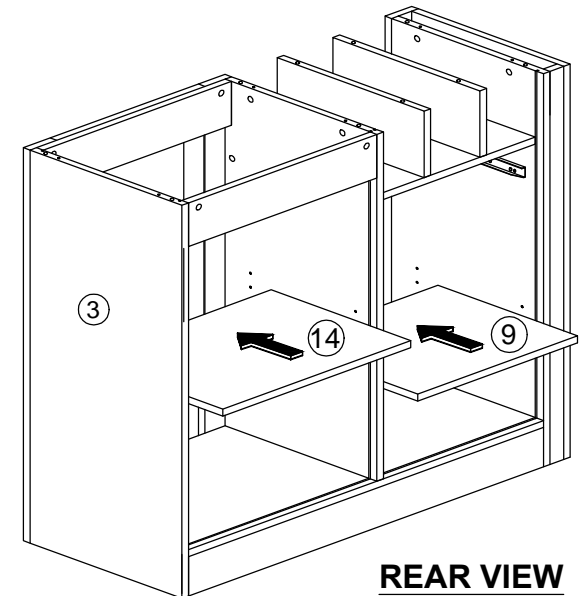
STEP 9



STEP 10



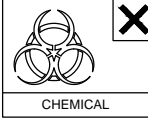
STEP 11



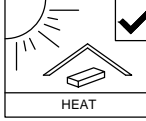
REAR VIEW



SOFT, DRY CLOTH



CHEMICAL



HEAT



KEEP DRY



HANDLE WITH CARE



DO NOT USE KNIFE

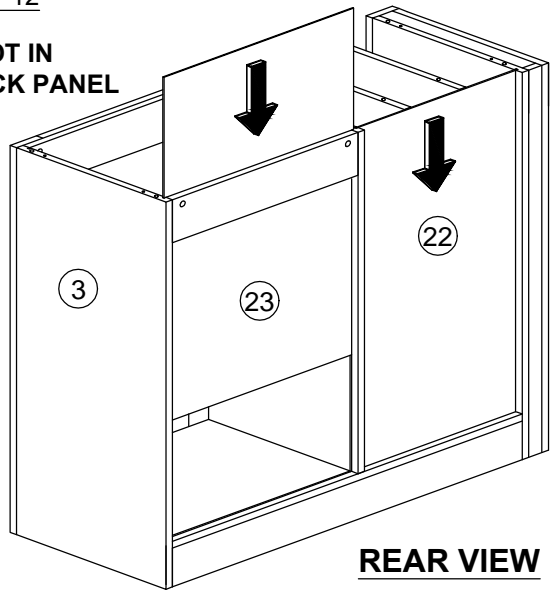
ASSEMBLY INSTRUCTION

MODEL : BH-003

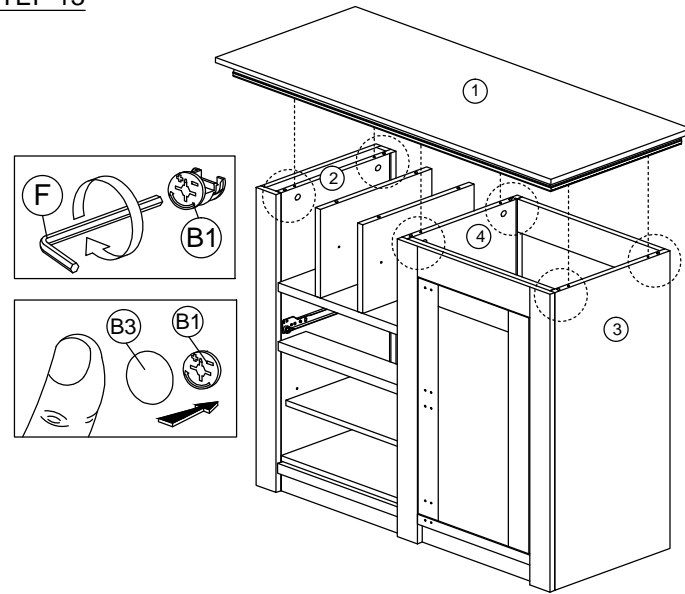
DESCRIPTION : BUFFET

STEP 12

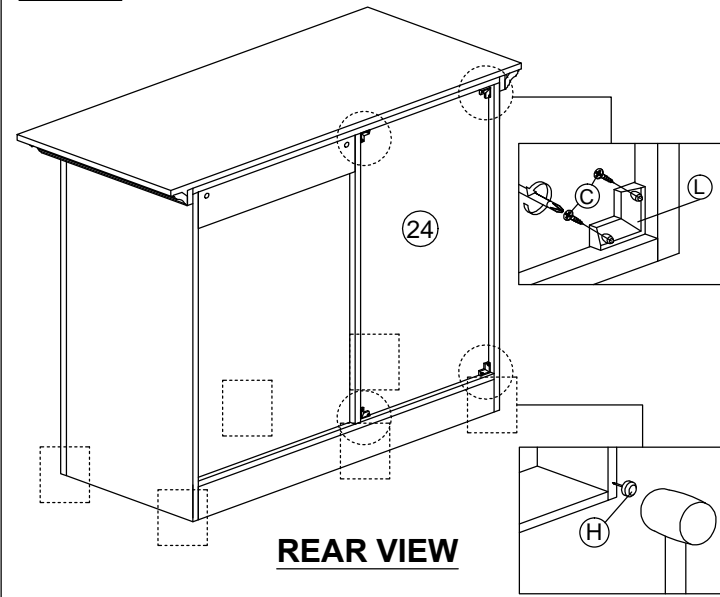
SLOT IN
BACK PANEL



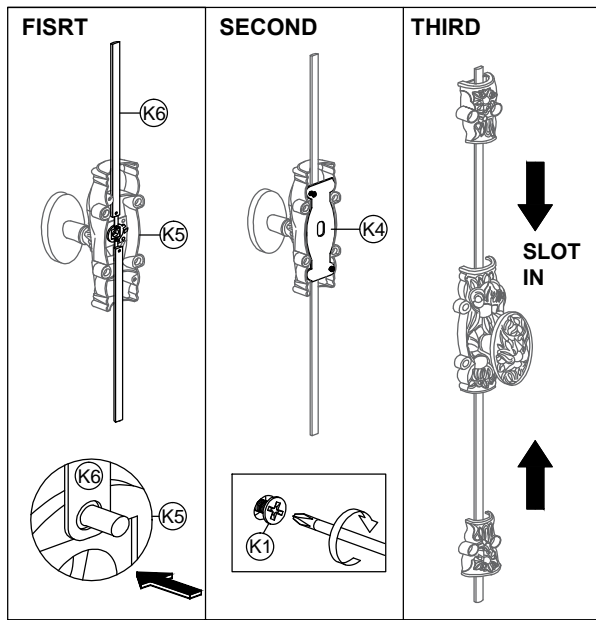
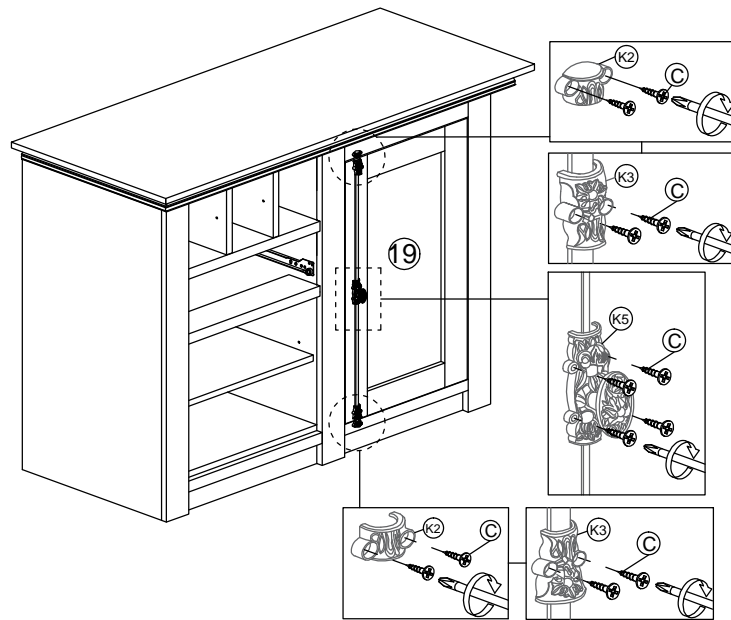
STEP 13



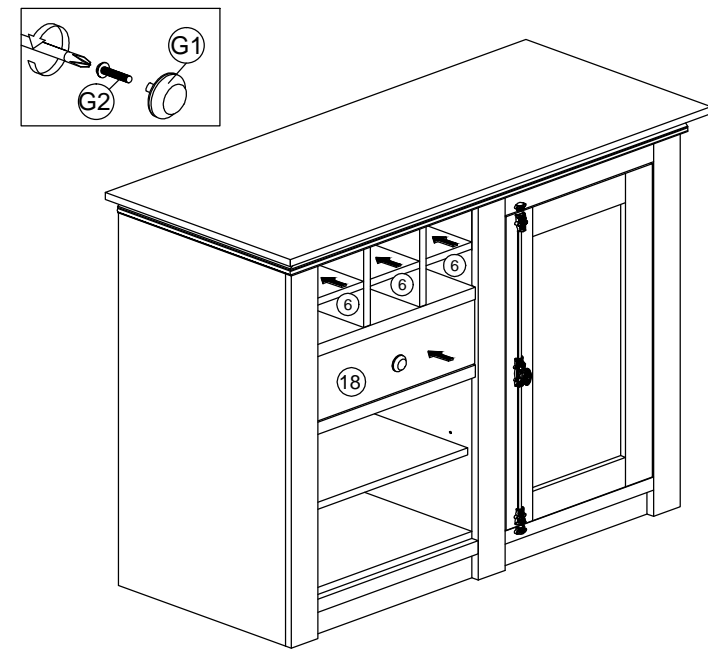
STEP 14



STEP 15

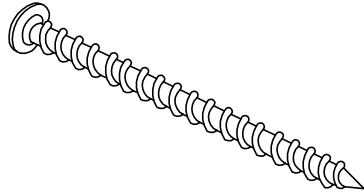


STEP 16

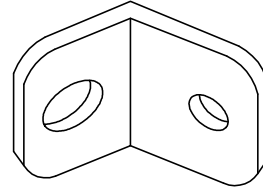


Installation of Anti-Tip Restraint

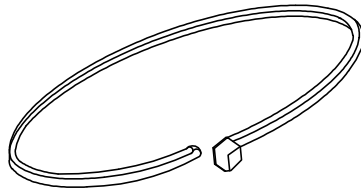
Kit includes:



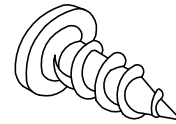
A (x1)
Long screw



B (x2)
Mounting bracket



C (x1)
Restraint strap



D (x1)
Short screw



WARNING



Serious or fatal crushing injuries can occur from furniture tip-over. To help Prevent tip-over:

- Install tip-over restraint provided
- Place heaviest items in the lower drawers
- Do not set TV's or other heavy objects on top of this product
- Never allow children to climb or hang on drawers, doors or shelves
- Never open more than one drawer at a time
- Do not defeat or remove the drawer interlock system

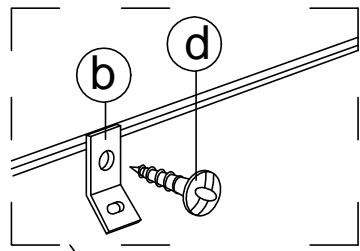
Use tip-over restraints may only reduce but not eliminate the risk of tip-over.

IMPORTANT: Use of this safety kit is mandatory. This restraint is not a substitute for proper adult supervision. Failure to detach this restraint before moving furniture may result in injury and damage.

FITTING OF ANTI-TIP SAFETY STRAP

STEP 1:

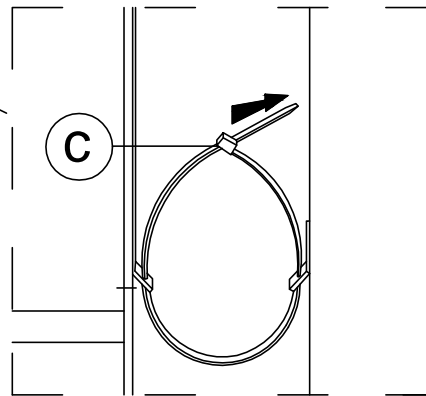
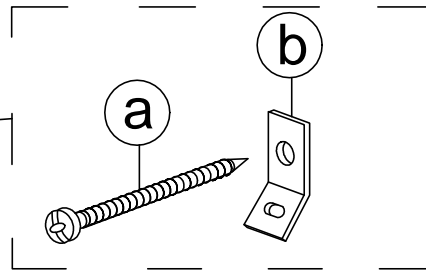
- Attach the mounting bracket (b) to the furniture in the solid part below the top panel a few inches away from the side of the unit.
- Screw (d) through the smallest hole of (b).



BACK SIDE OF TOP PANEL

STEP 2:

- Locate a stud in behind the have to
- Place the other mounting bracket (b) on the wall stud 2 inches below the mounting bracket secured to the back of your unit.
- Attach to the wall stud using (a) through the smaller hole of (b).



STEP 3:

- Repeat the same step a few inches away from the other side of the unit.
- Place the furniture into position so both mounting brackets are vertically in line.
- Lace the end of the restraint strap through the larger holes in each mounting bracket.
- Secure the straps and lock into place.

FURNITURE

WALL

