

ASSEMBLY INSTRUCTIONS

Read this instruction carefully. See hardware and furniture part list for guidance. Be sure all parts are complete, before you assemble. Place all wooden furniture parts on a clean and flat soft surface to prevent from being scratched. Follow the figure to start assembling.

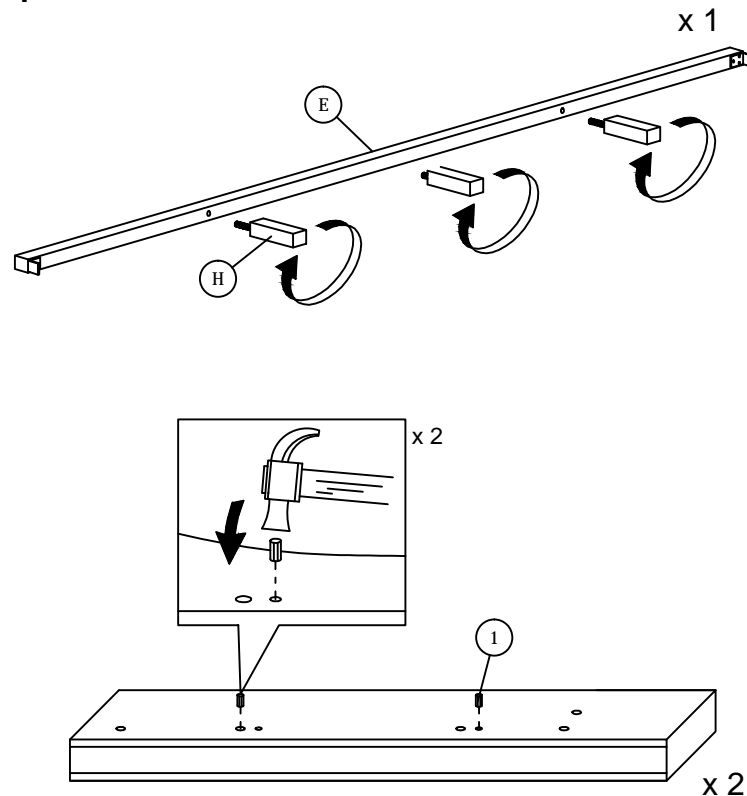
CAUTIONS : 1. Do not FULLY - TIGHTEN the nut or nut bolt until all nut or bolt is ready assembled.
2. Do not OVER - TIGHTEN the nut or bolt to avoid causing damages to the thread.
3. Keep all hardware parts out of reach of children.

NOTE : THE LIST AND QUANTITY SHOWN ARE FOR 1 UNIT ASSEMBLY.
Tool needed : Screwdriver & Hammer (not provider).

PART LIST		
ITEM	DESCRIPTION	QTY
A	HEADBOARD TOP	1 PC
B	HEADBOARD WIND	2 PCS
C	FOOTBOARD	1 PC
D	SIDE RAIL (L&R)	2 PCS
E	CENTER RAIL	1 PC
F	CENTER SUPPORT LEG	3 PCS
G	CENTER SUPPORT	2 PCS
H	BED LEG	4 PCS
I	BED SLAT	26 PCS

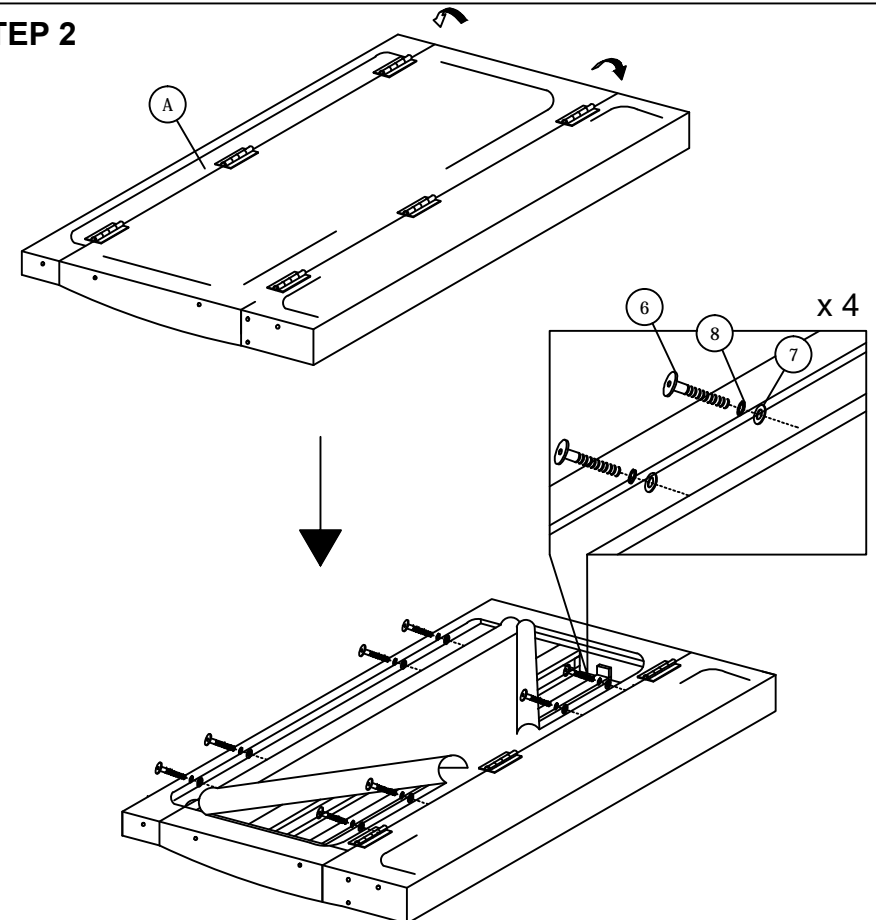
HARDWARE LIST		
ITEM	DESCRIPTION	QTY
1	WOOD DOWEL M8 X 30mm	4 PCS
2	JCBB BOLT M6 x 20mm	8 PCS
3	JCBB BOLT M6 x 40mm	10 PCS
4	M6 FLAT WASHER	18 PCS
5	M6 SPRING WASHER	8 PCS
6	JCBC BOLT M8 x 40mm	10 PC
7	M8 FLAT WASHER	10 PCS
8	M8 SPRING WASHER	10 PCS
9	WOOD SCREW M3.5 x 16mm	8 PCS
10	WOOD SCREW M4 x 20mm	2 PCS
11	BED SLAT SIDE FITTER	26 PCS
12	BED SLAT CENTER FITTER	13 PCS
13	M4 ALLEN KEY (BALL SHAPE)	1 PC
14	M5 ALLEN KEY (BALL SHAPE)	1 PC

STEP 1



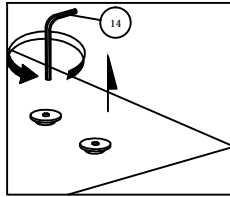
****Open the zip at the headboard backing and take out headboard Wings.**

STEP 2

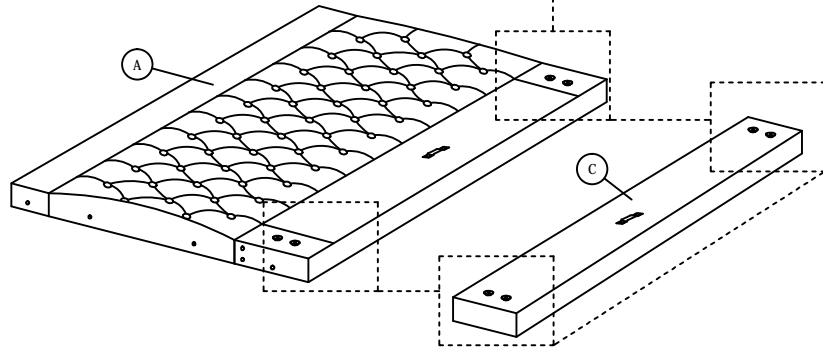


ASSEMBLY INSTRUCTIONS

STEP 3

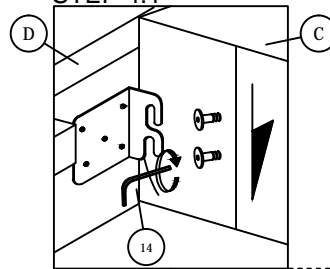


Loosen the pre-inserted bolt on the headboard & footboard using Allen key ball shape (14).

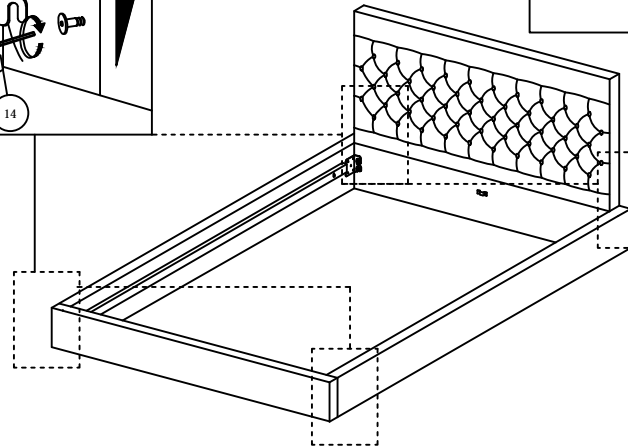
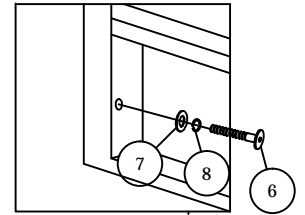


STEP 4

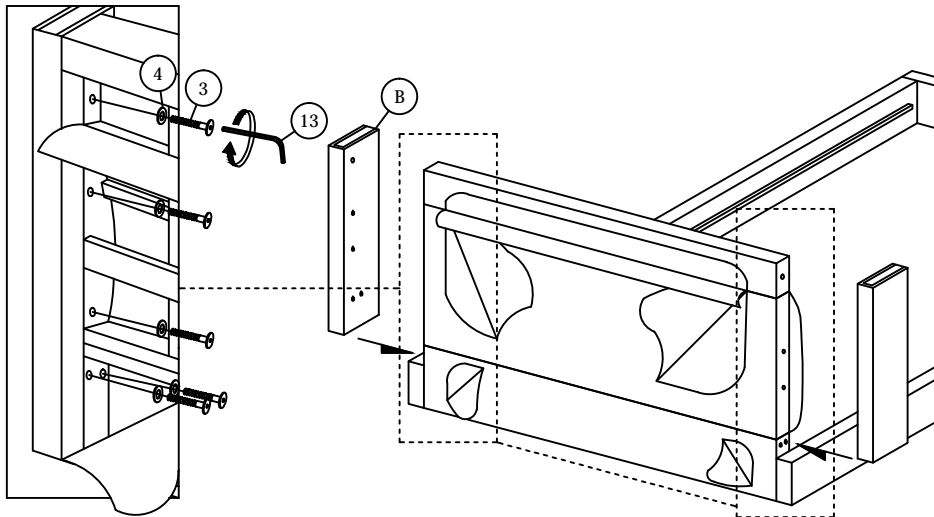
STEP 4.1



STEP 4.2 X 2



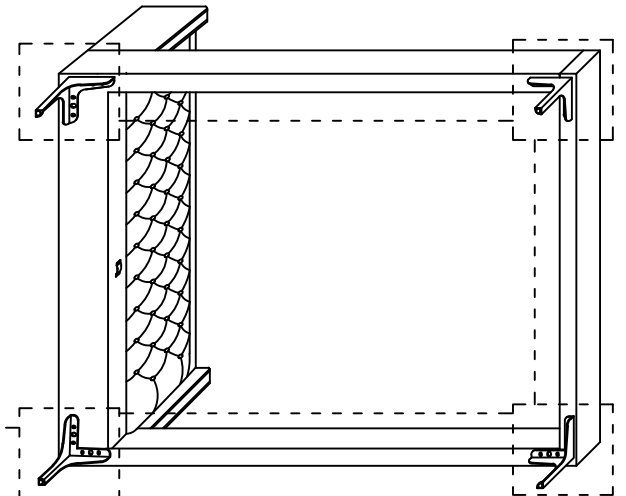
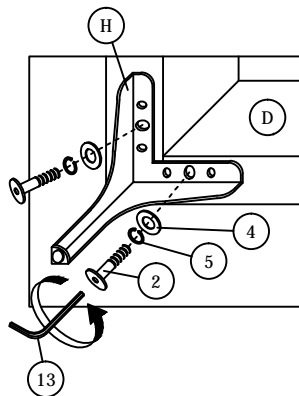
STEP 5



STEP 6

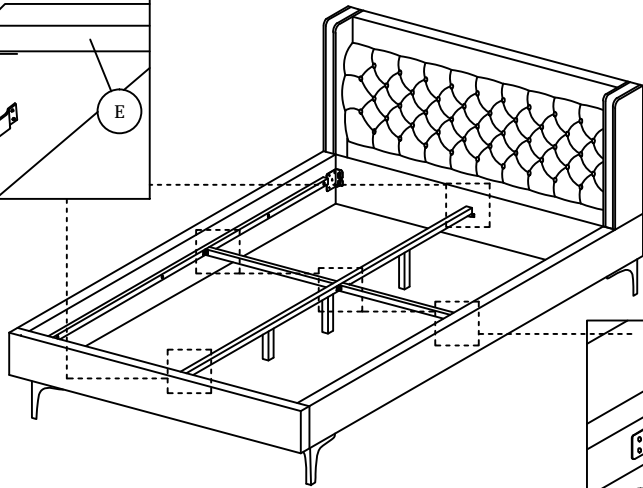
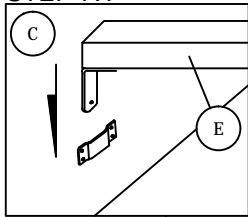
NOTE :

Make sure the floor is clean and smooth when put down the bed to prevent scratches.

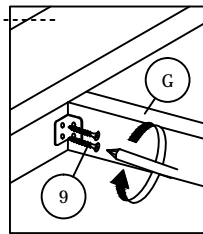


STEP 7

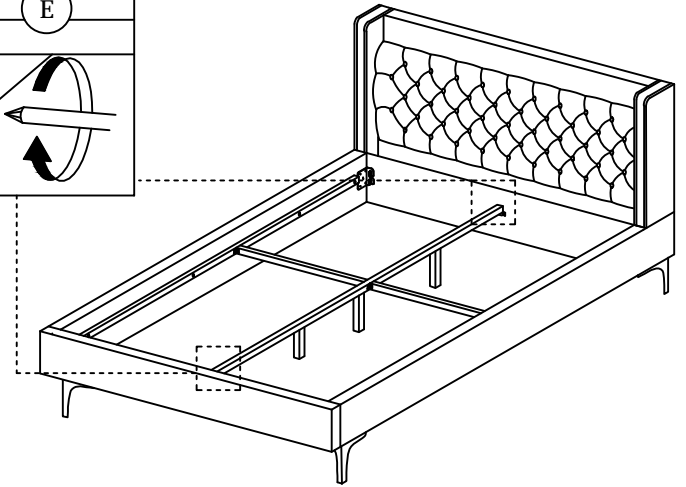
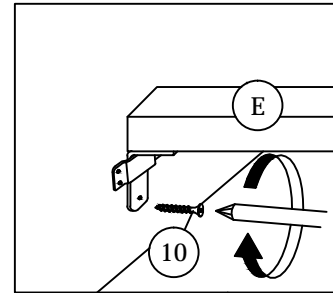
STEP 7.1



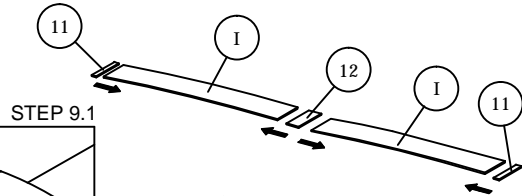
STEP 7.2



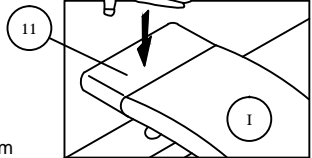
STEP 8



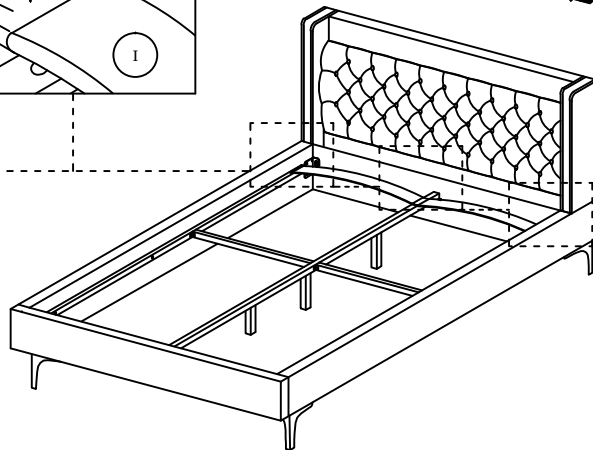
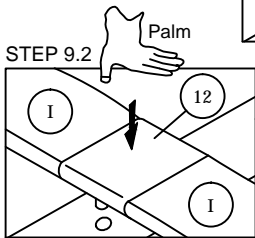
STEP 9



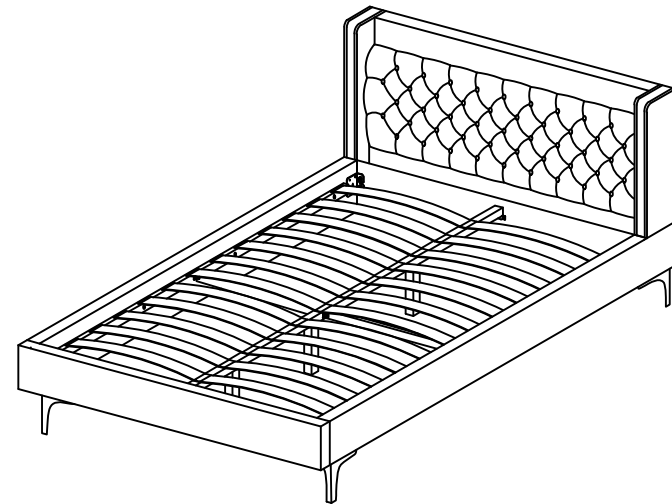
STEP 9.1



STEP 9.2



STEP 10



* When moving the bed position, the center support legs must be adjust to be straight to avoid any broken problem.