

ASSEMBLY INSTRUCTIONS

MODEL : BBT 6622 FULL HEADBOARD

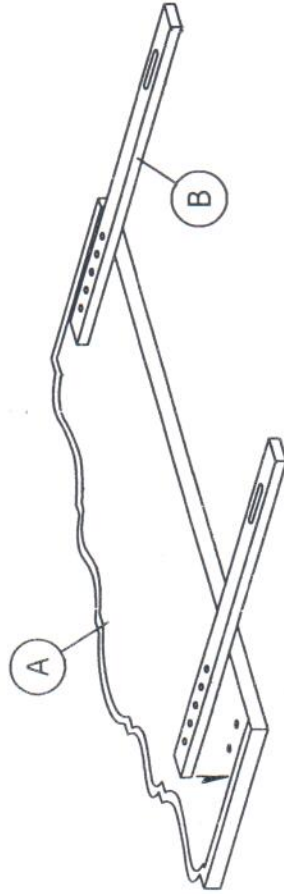
Read instructions carefully. See furniture and hardware part on the right for guidance.

Use all parts ready before assembly. Place all wooden furniture parts on a clean and flat soft surface to prevent scratching. Before you start, here are some words of caution:

1. Do not FULLY - TIGHTEN nuts and bolts until all nuts and bolts are partially tightened.
2. Do not FULLY - TIGHTEN nuts and bolts to avoid causing damage to the threading.
3. Keep all hardware parts out of reach of children.

NOTE : THE LIST AND QUANTITY SHOWN ARE FOR 1 UNIT ASSEMBLY.

STEP 1



Align pre-drilled support stand holes over the pre-drilled headboard holes according to your desired headboard height

STEP 3

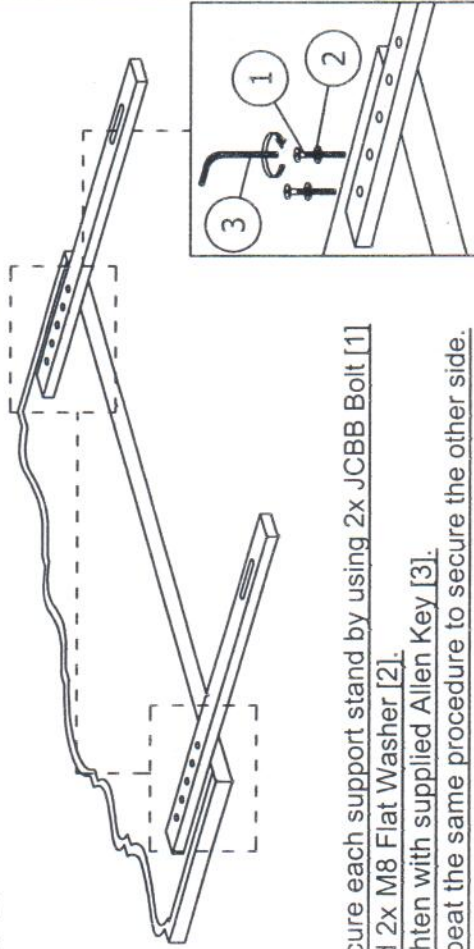
Your headboard assembly is complete.

Note: Hardware may loosen over time. Periodically check that all connections are tight.

FURNITURE PART LIST		
ITEM	DESCRIPTION	QTY
A	HEADBOARD	1 PC
B	SUPPORT BOARD	2 PCS

HARDWARE PART LIST		
ITEM	DESCRIPTION	QTY
1	JCBB BOLT M8 x 60mm	4 PCS
2	M8 FLAT WASHER	4 PCS
3	M5 ALLEN KEY (BALL SHAPE)	1 PC

STEP 2



Secure each support stand by using 2x JCBB Bolt [1] and 2x M8 Flat Washer [2].
Tighten with supplied Allen Key [3].
Repeat the same procedure to secure the other side.

