

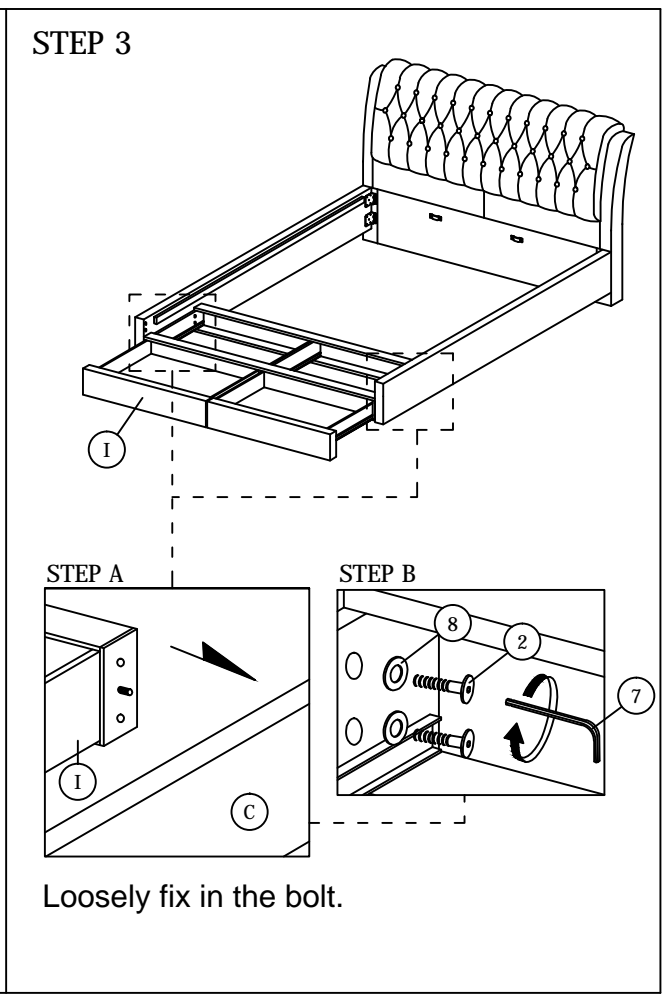
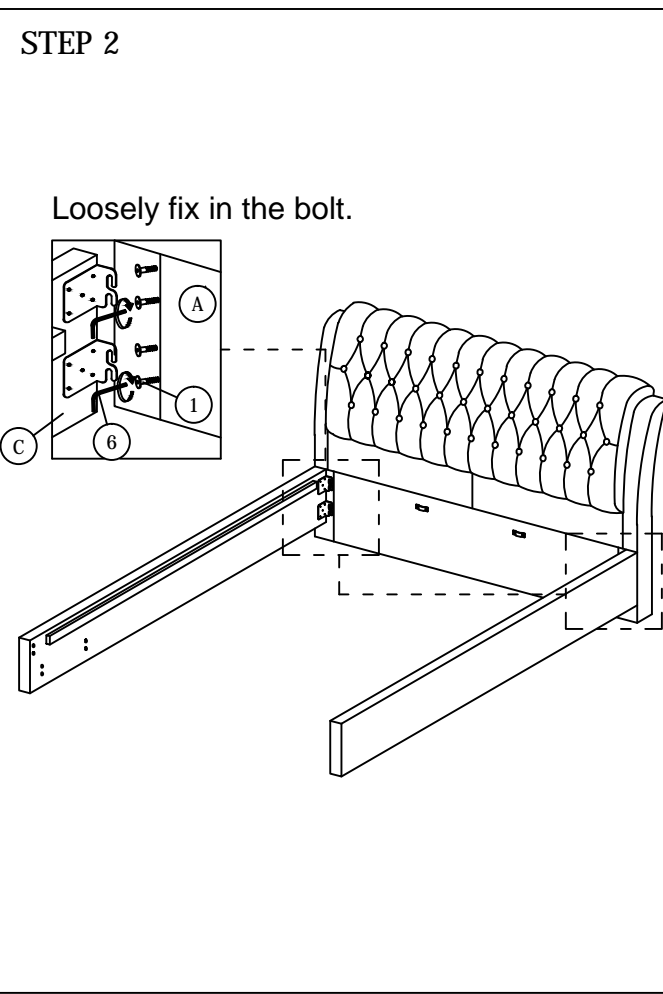
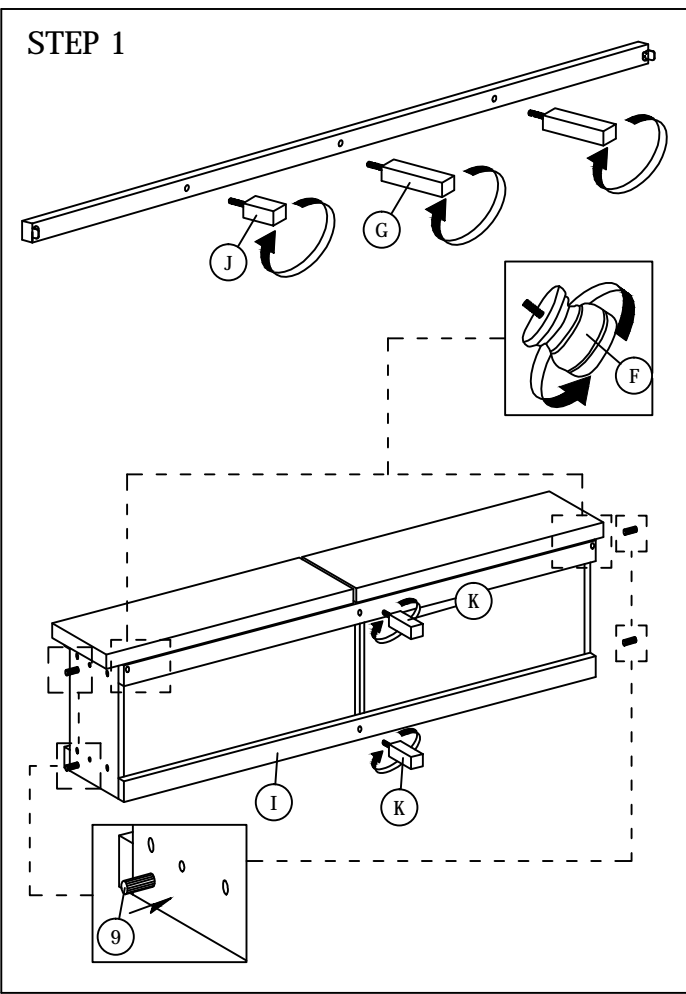
Read this instruction carefully. See hardware and furniture part list for guidance. Be sure all parts are complete, before you assemble. Place all wooden furniture parts on a clean and flat soft surface to prevent from being scratched. Follow the figure to start assembling.

**CAUTIONS :** 1. Do not FULLY - TIGHTEN the nut or nut bolt until all nut or bolt is ready assembled.  
2. Do not OVER - TIGHTEN the nut or bolt to avoid causing damages to the thread.  
3. Keep all hardware parts out of reach of children.

**NOTE :** THE LIST AND QUANTITY SHOWN ARE FOR 1 UNIT ASSEMBLY.  
Tool needed : Screwdriver (not provider).

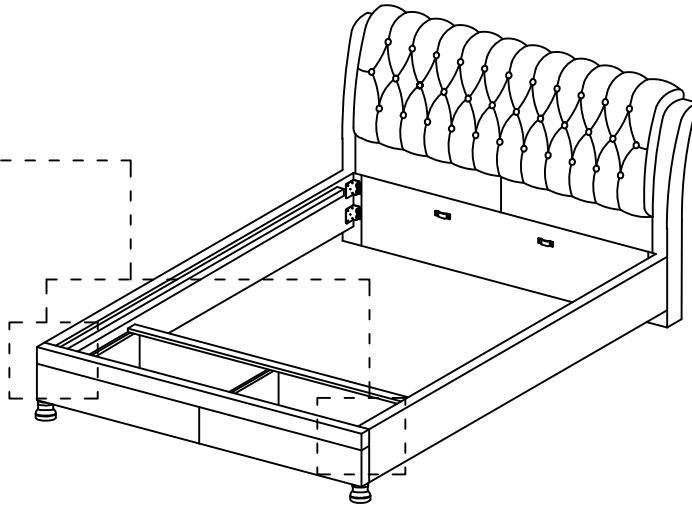
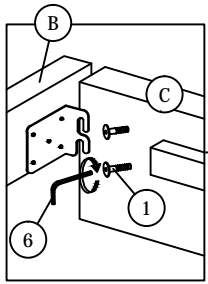
PART LIST		
ITEM	DESCRIPTION	QTY
A	HEADBOARD	1 PC
B	FOOTBOARD	1 PC
C	SIDE RAIL	2 PCS
D	CENTER RAIL	2 PCS
E	CENTER SUPPORT	3 PCS
F	BED LEG	2 PCS
G	CENTER SUPPORT LEG (LONG)	4 PCS
H	BED SLAT	39 PCS
I	DRAWER BOX	1 PC
J	CENTER SUPPORT LEG (SHORT)	2 PCS
K	DRAWER BOX SUPPORT LEG (BLACK COLOUR)	2 PCS

HARDWARE LIST		
ITEM	DESCRIPTION	QTY
1	JCBB BOLT M8 x 30MM	12 PCS
2	JCBC BOLT M6 x 45MM	8 PCS
3	WOOD SCREW M3.5 x 16MM	12 PCS
4	BED SLAT CENTER FITTER	26 PCS
5	BED SLAT SIDE FITTER	26 PCS
6	M5 ALLEN KEY (BALL SHAPE)	1 PC
7	M4 ALLEN KEY (BALL SHAPE)	1 PC
8	M6 FLAT WASHER	8 PCS
9	WOOD DOWEL M8 x 30mm	4 PCS



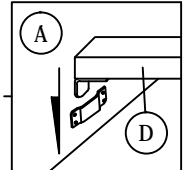
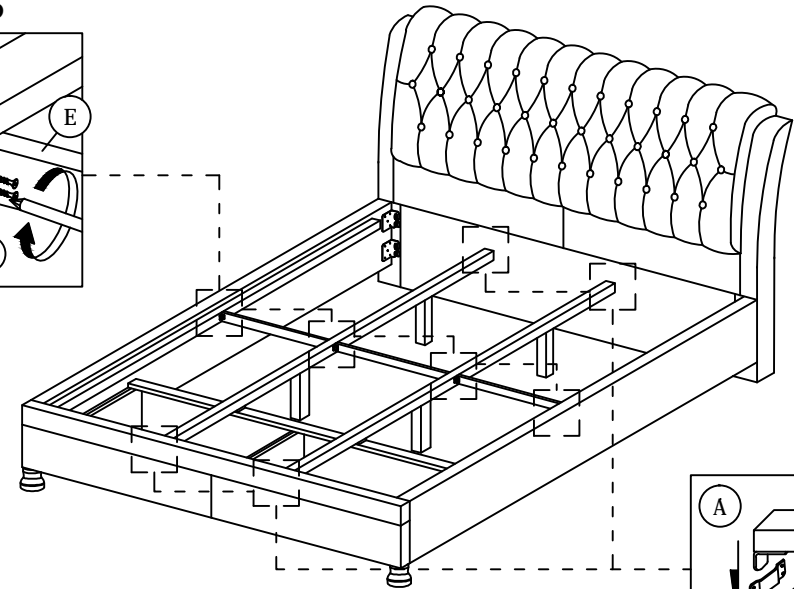
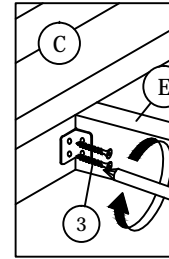
# ASSEMBLY INSTRUCTIONS

## STEP 4



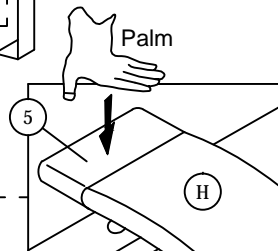
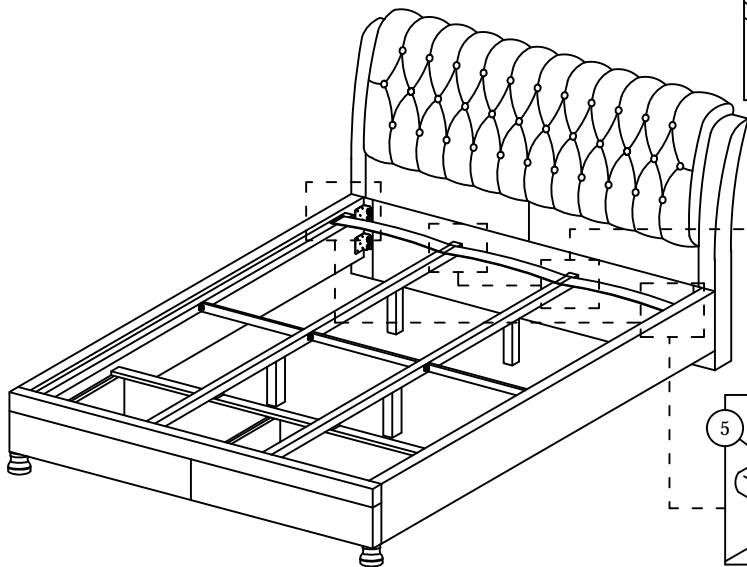
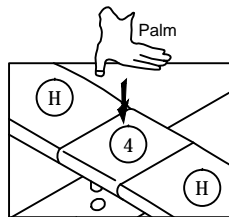
Attached Footboard (B) on drawer box using bolt (1) and tighten with allen key (6).  
Then, screw tied the step 2 and step 3 bolt.

## STEP 5

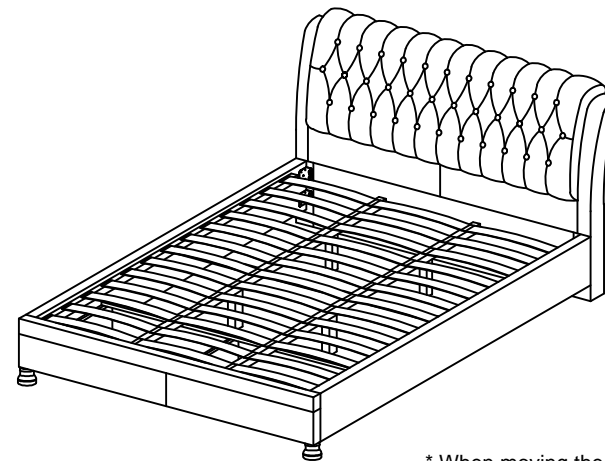
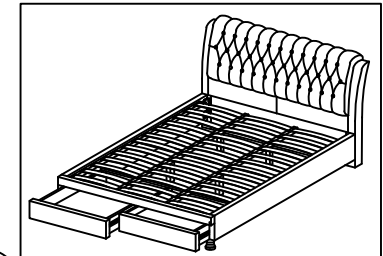


Center rails with short center support legs face to footboard, it will be on top of drawer box.

## STEP 6



## STEP 7



\* When moving the bed position, the center support legs must be adjust to be straight to avoid any broken problem.