

Read this instruction carefully. See hardware and furniture part list for guidance. Be sure all parts are complete, before you assemble. Place all wooden furniture parts on a clean and flat soft surface to prevent from being scratched. Follow the figure to start assembling.

**CAUTIONS :**

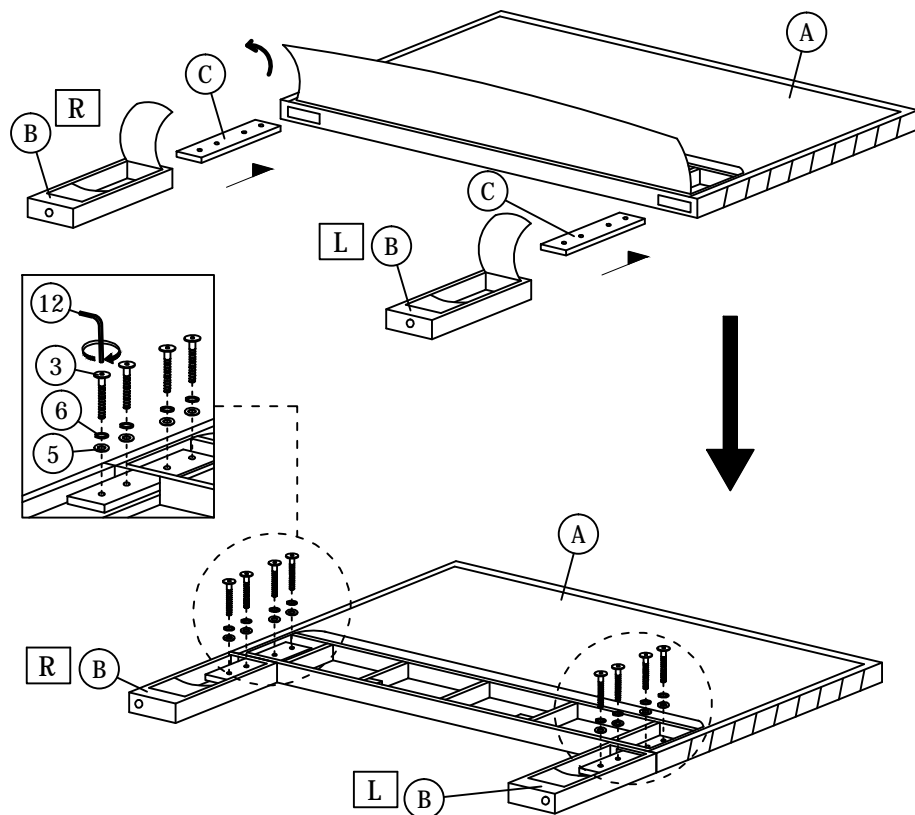
1. Do not FULLY - TIGHTEN the nut or nut bolt until all nut or bolt is ready assembled.
2. Do not OVER - TIGHTEN the nut or bolt to avoid causing damages to the thread.
3. Keep all hardware parts out of reach of children.

**NOTE :** THE LIST AND QUANTITY SHOWN ARE FOR 1 UNIT ASSEMBLY.  
Tool needed : Screwdriver (not provider).

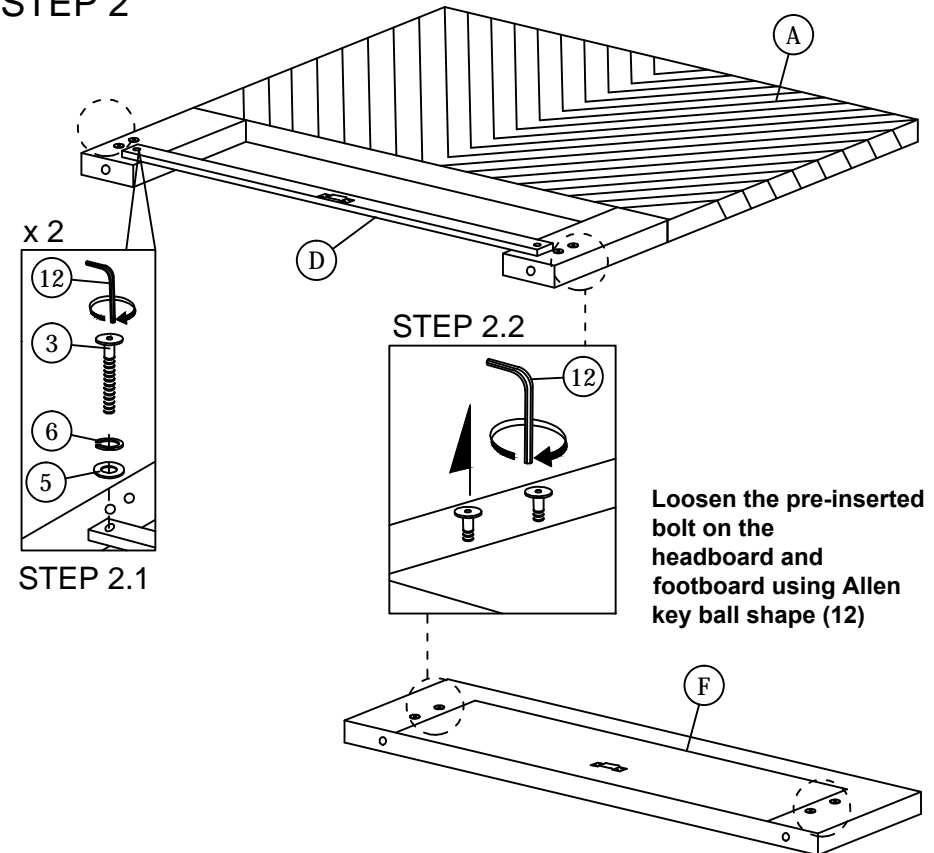
PART LIST		
ITEM	DESCRIPTION	QTY
A	HEADBOARD	1 PC
B	HEADBOARD LEG (L/R)	2 PCS
C	HEADBOARD SUPPORT WOOD	2 PCS
D	HEADBOARD SUPPORT RAIL	1 PC
E	BED LEG	4 PCS
F	FOOTBOARD	1 PC
G	SIDE RAIL	2 PCS
H	CENTER RAIL	1 PC
I	CENTER SUPPORT LEG	3 PCS
J	CENTER SUPPORT	2 PCS
K	BED SLAT	26 PCS
L	LEG SUPPORT WOOD	4 PCS

HARDWARE LIST		
ITEM	DESCRIPTION	QTY
1	JCBC BOLT M6 x 20mm	8 PCS
2	JCBC BOLT M6 x 35mm	8 PCS
3	JCBB BOLT M8 x 45mm	10 PCS
4	M6 SPRING WASHER	16 PCS
5	M8 FLAT WASHER	10 PCS
6	M8 SPRING WASHER	10 PCS
7	BED SLAT SIDE FITTER	26 PCS
8	BED SLAT CENTER FITTER	13 PCS
9	WOOD SCREW M3.5 x 16mm	8 PCS
10	WOOD SCREW M4 x 20mm	2 PCS
11	M4 ALLEN KEY (BALL SHAPE)	1 PC
12	M5 ALLEN KEY (BALL SHAPE)	1 PC
13	M6 FLAT WASHER	16 PCS

## STEP 1

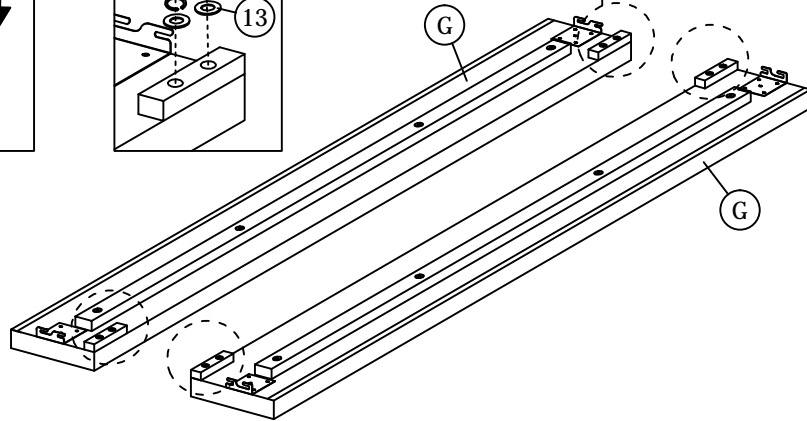
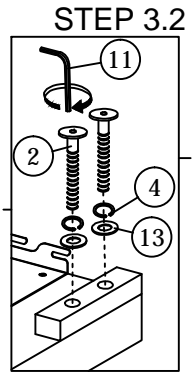
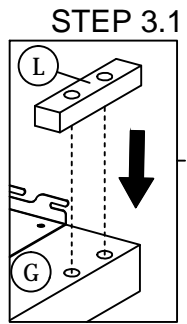


## STEP 2

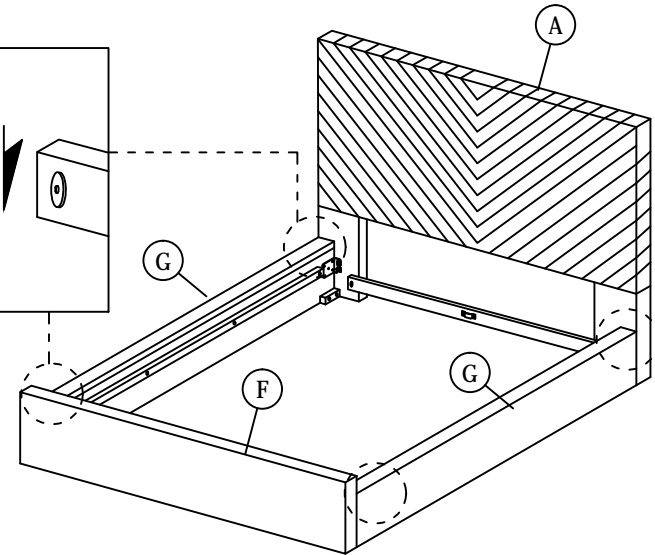
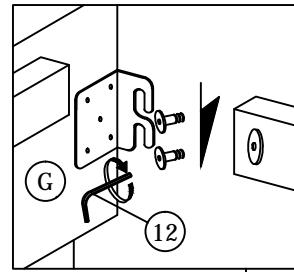


# ASSEMBLY INSTRUCTIONS

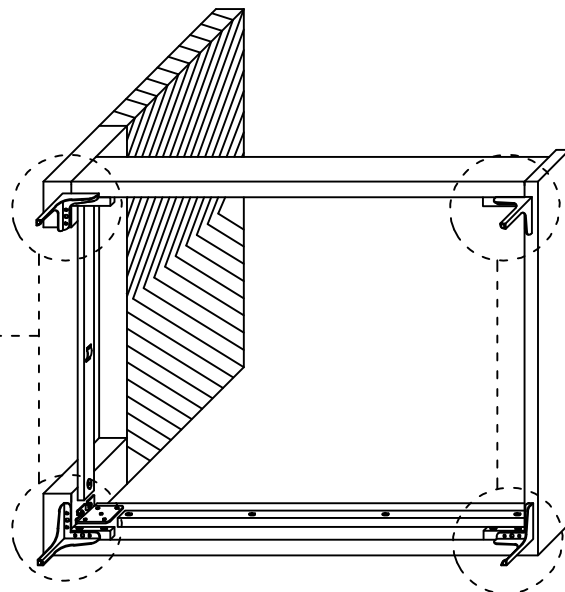
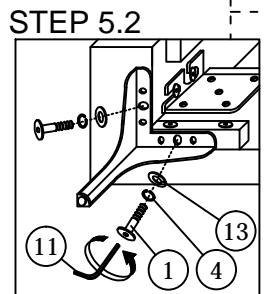
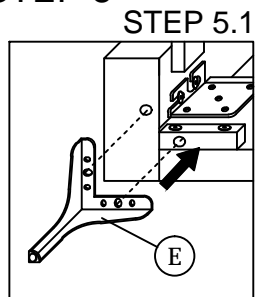
## STEP 3



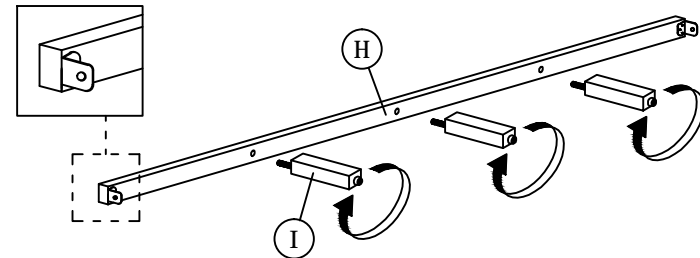
## STEP 4



## STEP 5



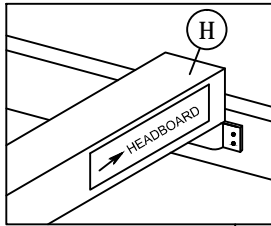
## STEP 6



# ASSEMBLY INSTRUCTIONS

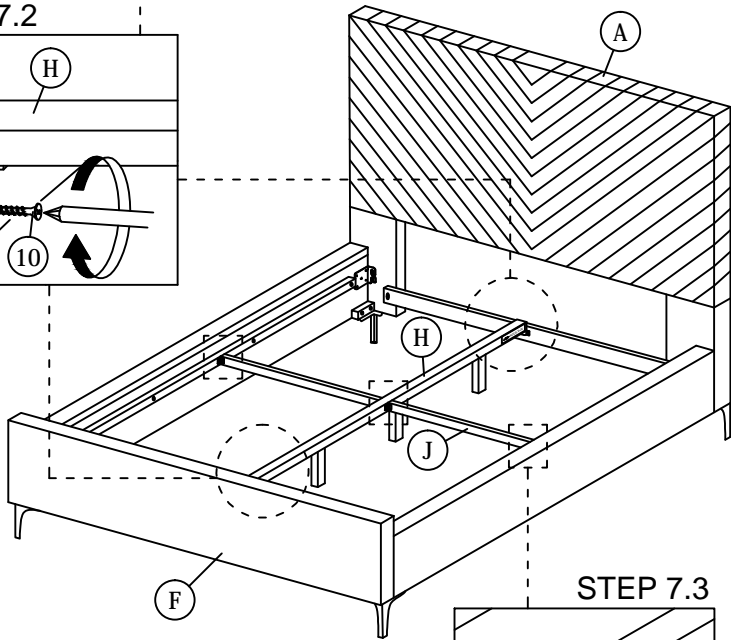
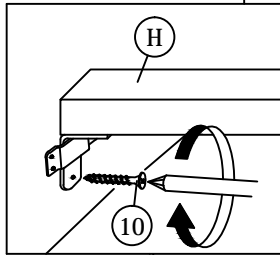
## STEP 7

### STEP 7.1

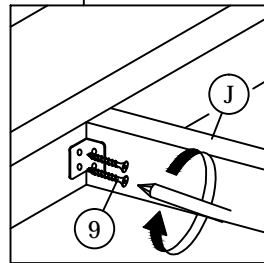


**Note:** Make sure the sticker "-> HEADBOARD" faced to headboard [A]

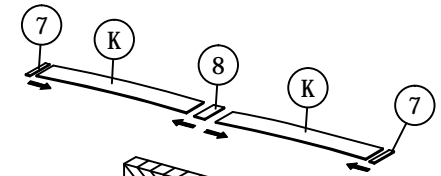
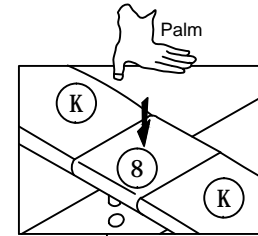
### STEP 7.2



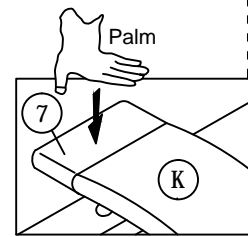
### STEP 7.3



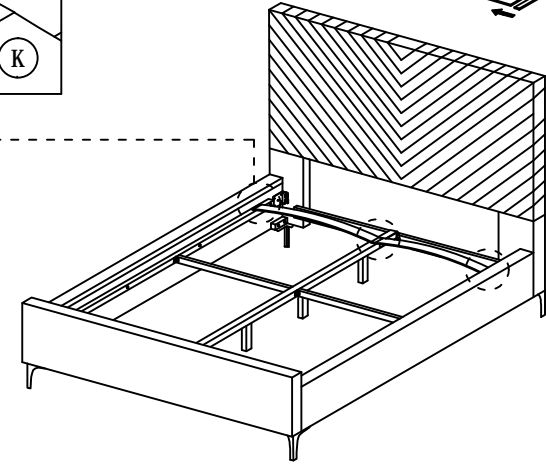
## STEP 8



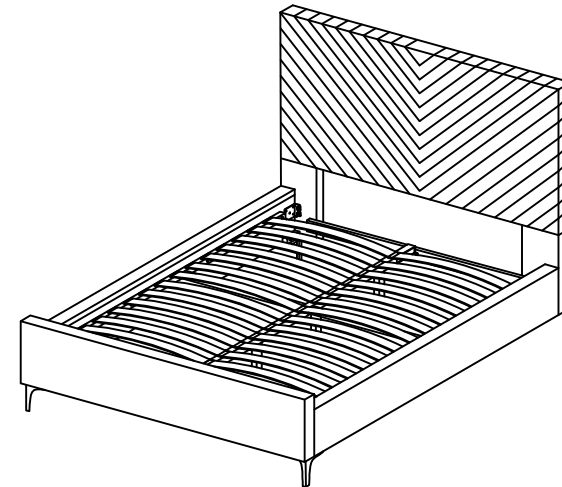
### STEP 8.1



### STEP 8.2



## STEP 9



\* When moving the bed position, the center support legs must be adjust to be straight to avoid any broken problem.