










Read this instruction carefully. See hardware and furniture part list for guidance. Be sure all parts are complete, before you assemble. Place all wooden furniture parts on a clean and flat soft surface to prevent from being scratched. Follow the figure to start assembling.

- CAUTIONS :**
1. Do not FULLY - TIGHTEN the nut or nut bolt until all nut or bolt is ready assembled.
 2. Do not OVER - TIGHTEN the nut or bolt to avoid causing damages to the thread.
 3. Keep all hardware parts out of reach of children.

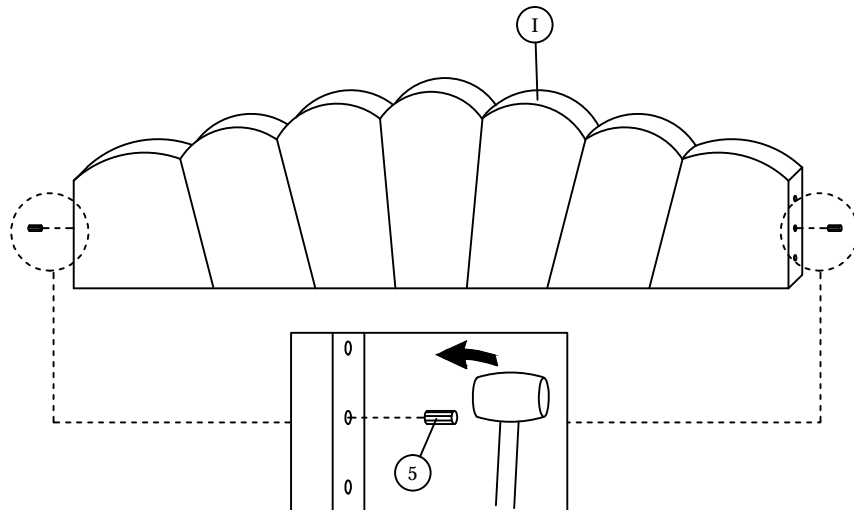
NOTE : THE LIST AND QUANTITY SHOWN ARE FOR 1 UNIT ASSEMBLY.

Tool needed : Screwdriver & Rubber Mallet (not provider).

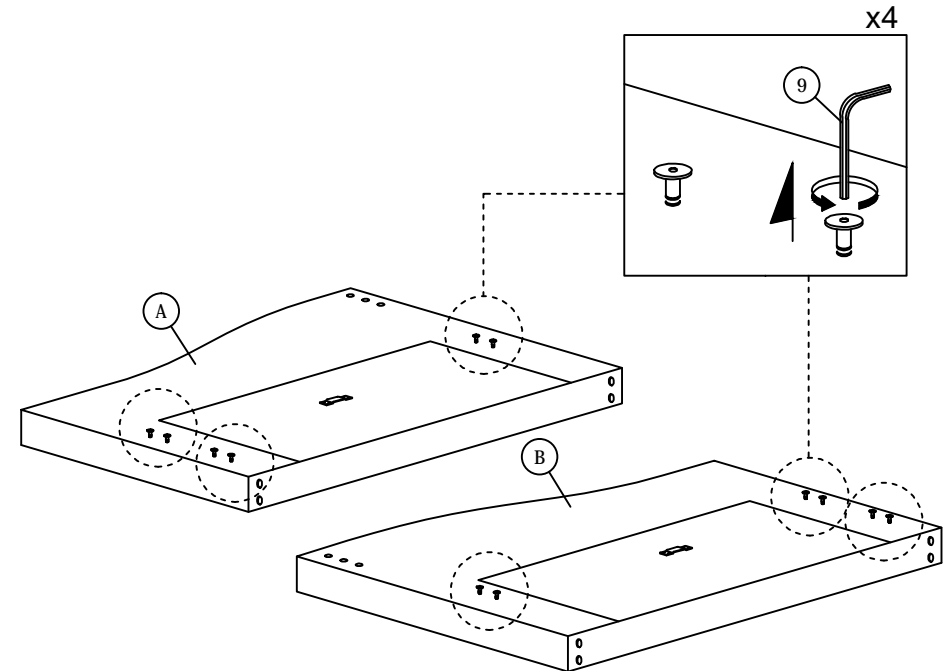
| PART LIST | | |
|-----------|--------------------|--------|
| ITEM | DESCRIPTION | QTY |
| A | ARM (LEFT) | 1 PC |
| B | ARM (RIGHT) | 1 PC |
| C | SIDE RAIL (BACK) | 1 PC |
| D | SIDE RAIL (FRONT) | 1 PC |
| E | BED SLAT | 24 PCS |
| F | CENTER RAIL | 1 PC |
| G | CENTER SUPPORT LEG | 3 PCS |
| H | CENTER SUPPORT | 2 PCS |
| I | BACK REST | 1 PC |

| HARDWARE LIST | | |
|---------------|---|--------|
| ITEM | DESCRIPTION | QTY |
| 1 | BED SLAT SIDE FITTER  | 24 PCS |
| 2 | BED SLAT CENTER FITTER  | 12 PCS |
| 3 | JCBC BOLT M6 x 50mm  | 4 PCS |
| 4 | M6 FLAT WASHER  | 4 PCS |
| 5 | WOOD DOWEL M8 x 30mm  | 2 PCS |
| 6 | WOOD SCREW M3.5 x 16mm  | 8 PCS |
| 7 | WOOD SCREW M4 x 20mm  | 2 PCS |
| 8 | M4 ALLEN KEY (BALL SHAPE)  | 1 PC |
| 9 | M5 ALLEN KEY (BALL SHAPE)  | 1 PC |

STEP 1

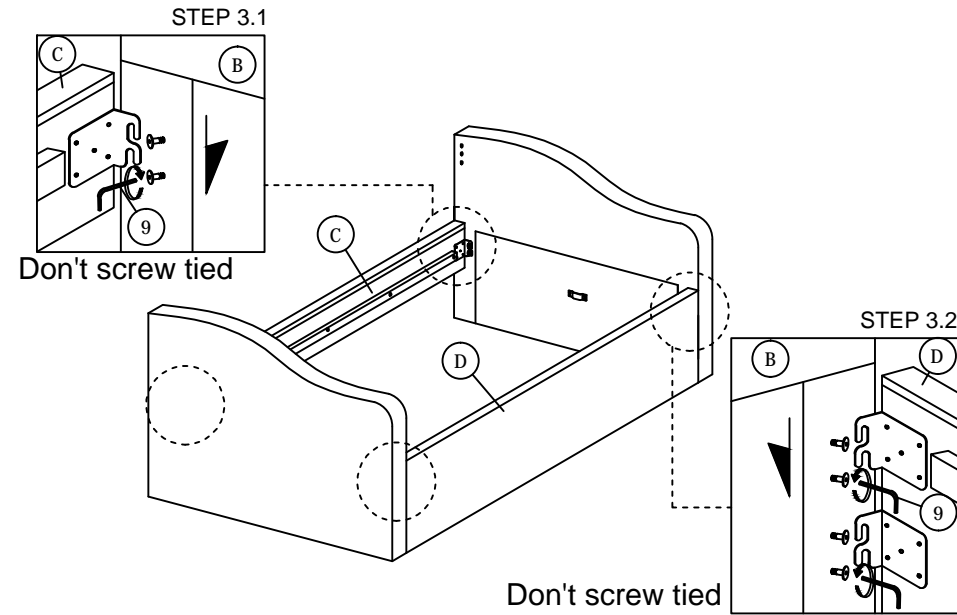


STEP 2

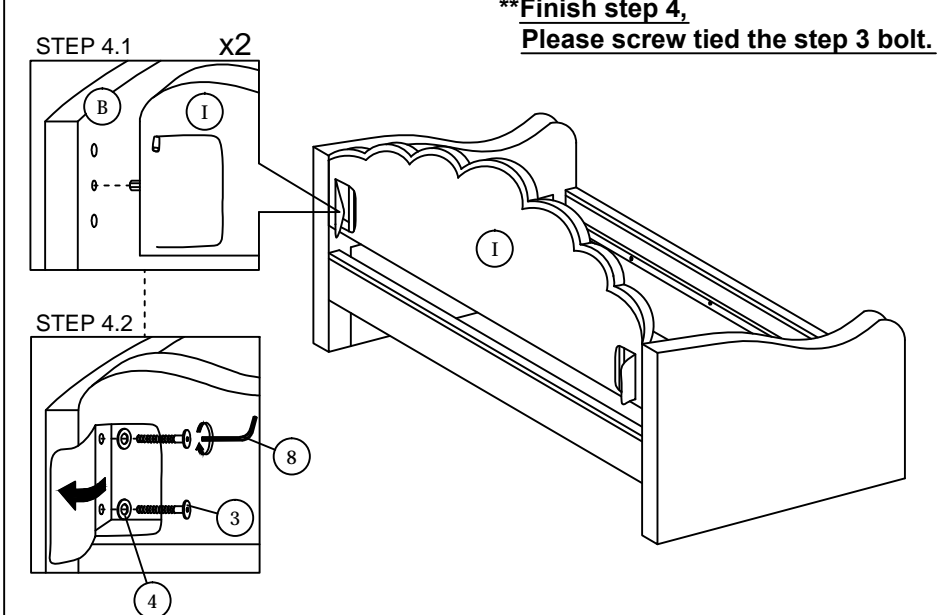


ASSEMBLY INSTRUCTIONS

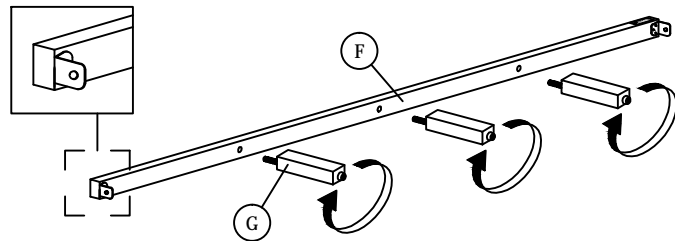
STEP 3



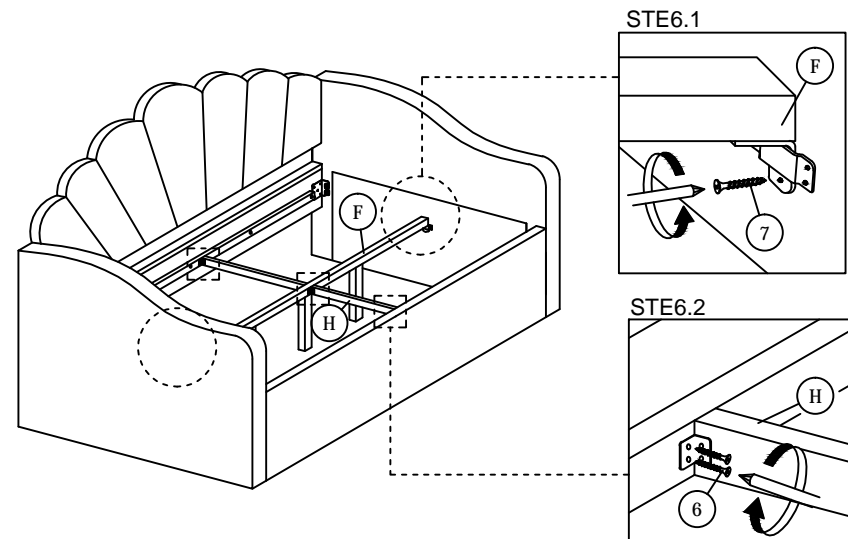
STEP 4



STEP 5

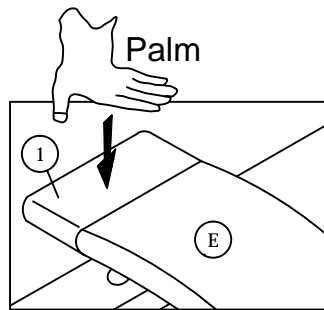
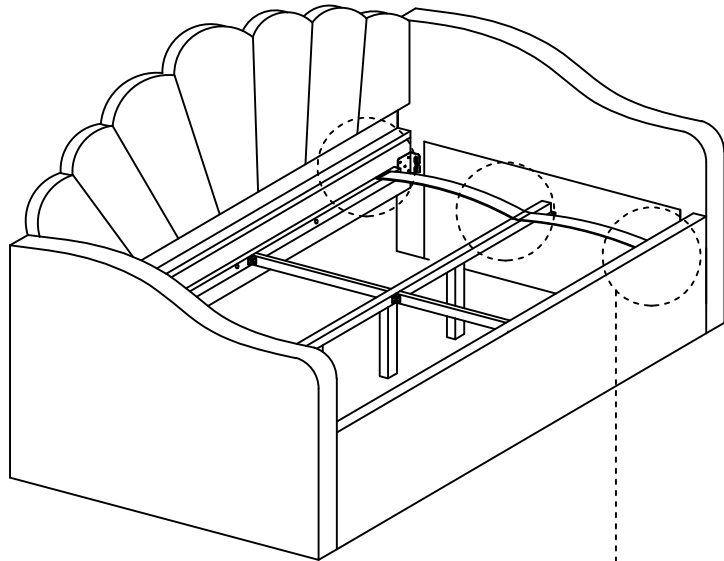
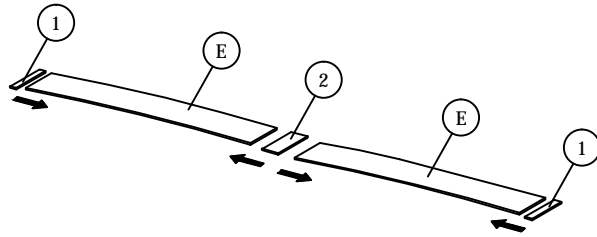


STEP 6

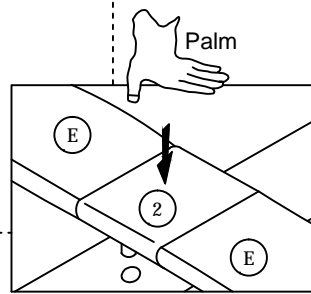


ASSEMBLY INSTRUCTIONS

STEP 7



STEP 7.2



STEP 7.1

STEP 8

