


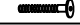




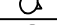

Read this instruction carefully. See hardware and furniture part list for guidance.  
 Be sure all parts are complete before assembly. Place all wooden furniture parts on a clean and flat soft surface to prevent from being scratched.  
 Follow the figure to start assembling.

**CAUTION :** 1. Do not FULLY - TIGHTEN the nuts or nuts bolts until they are ready for assembly.  
 2. Do not OVER - TIGHTEN the nuts or bolts to avoid causing damages to the thread.  
 3. Keep all hardware parts out of reach of children.

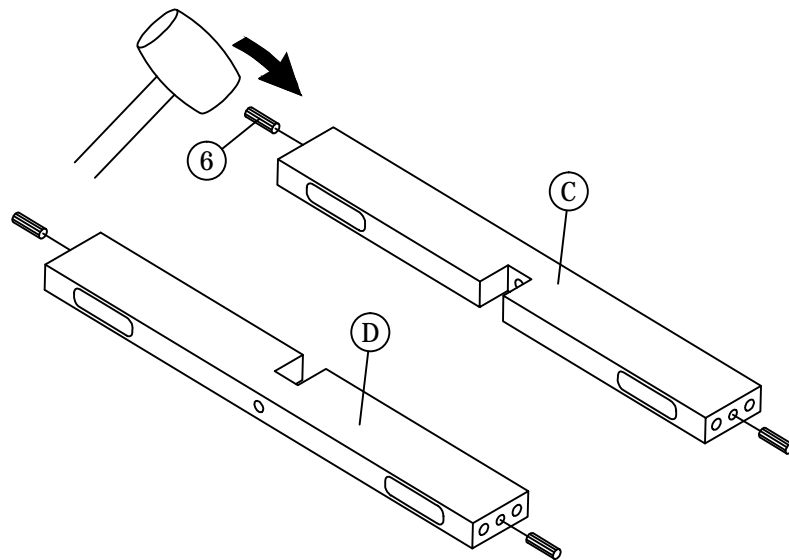
**NOTE :** THE LIST AND QUANTITY SHOWN ARE FOR 1 UNIT ASSEMBLY.

Tools needed : Screwdriver & Rubber Mallet (not provided).

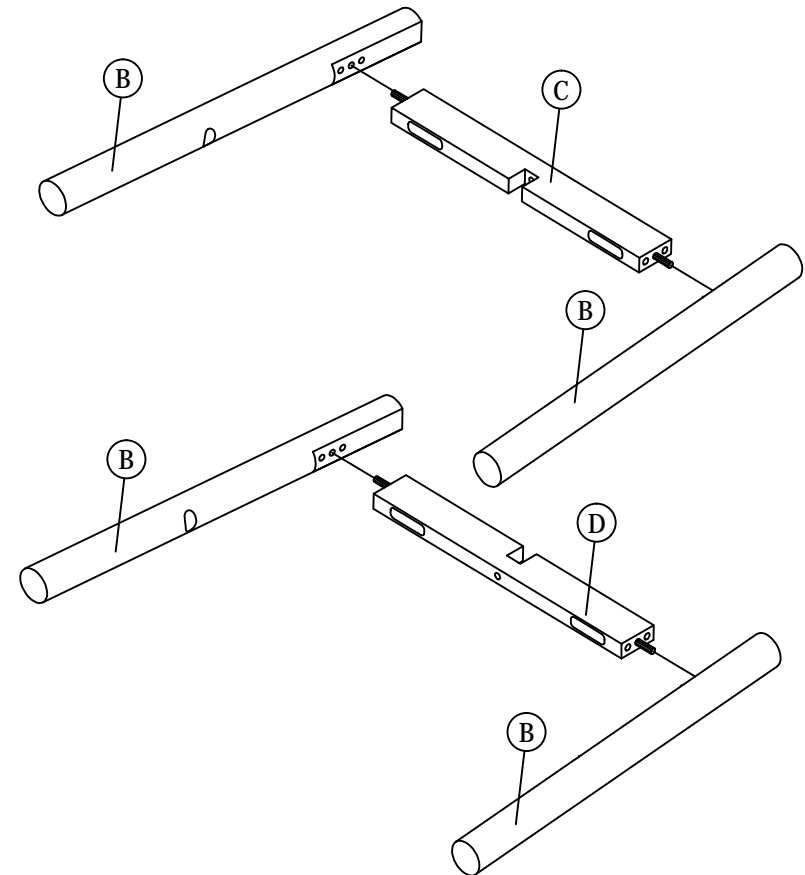
PART LIST			
ITEM	DESCRIPTION	BOX	QTY
A	STOOL	1	1 PC
B	LEG	1	4 PCS
C	LEG SUPPORT (1)	1	1 PC
D	LEG SUPPORT (2)	1	2 PC
E	BOTTOM RAIL	1	1 PC

HARDWARE LIST (BOX : 1)			
ITEM	DESCRIPTION		QTY
1	JCBC BOLT M6 x 50mm		8 PCS
2	JCBC BOLT M6 x 40mm		1 PCS
3	M6 SPRING WASHER		9 PCS
4	WOOD SCREW M4 x 45mm		4 PCS
5	WOOD SCREW M4 x 38mm		4 PCS
6	WOOD DOWEL M8 x 30mm		4 PCS
7	SCREW CAP (BROWM)		4 PCS
8	M4 ALLEN KEY (BALL SHAPE)		1 PC

## STEP 1

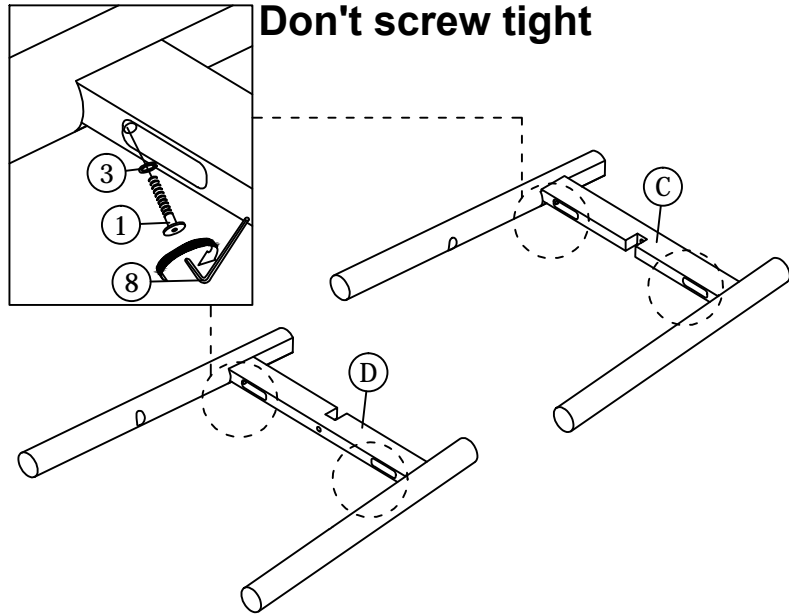


## STEP 2

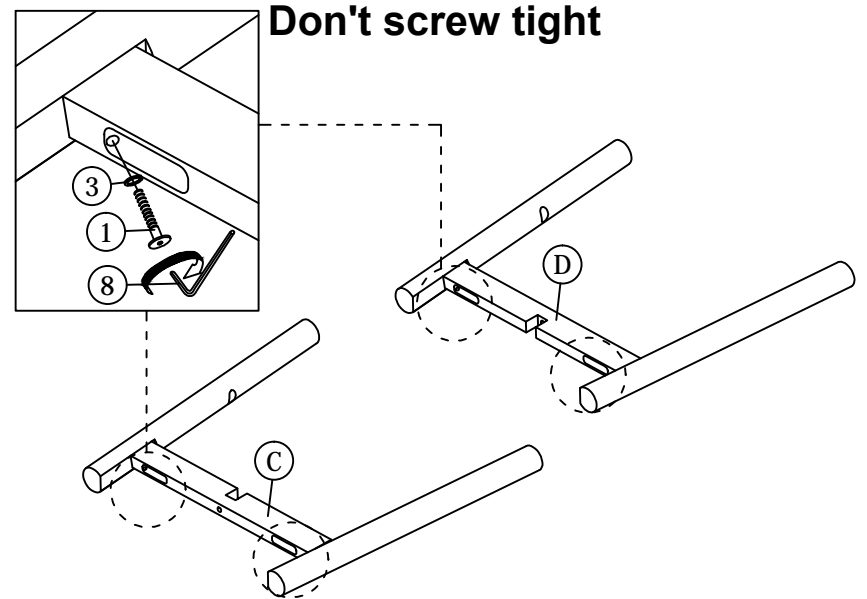


# ASSEMBLY INSTRUCTIONS

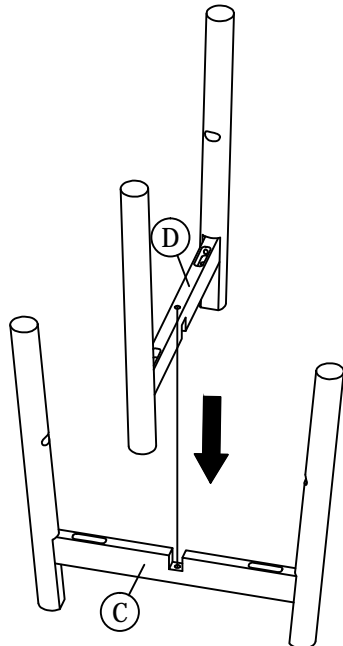
STEP 3



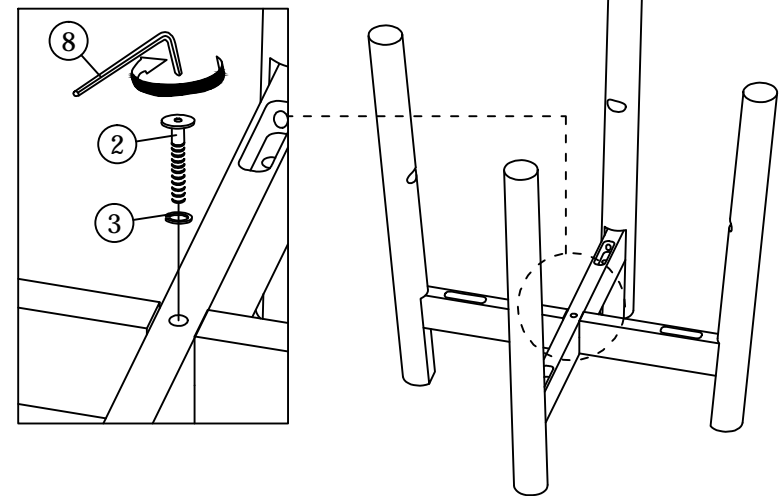
STEP 4



STEP 5

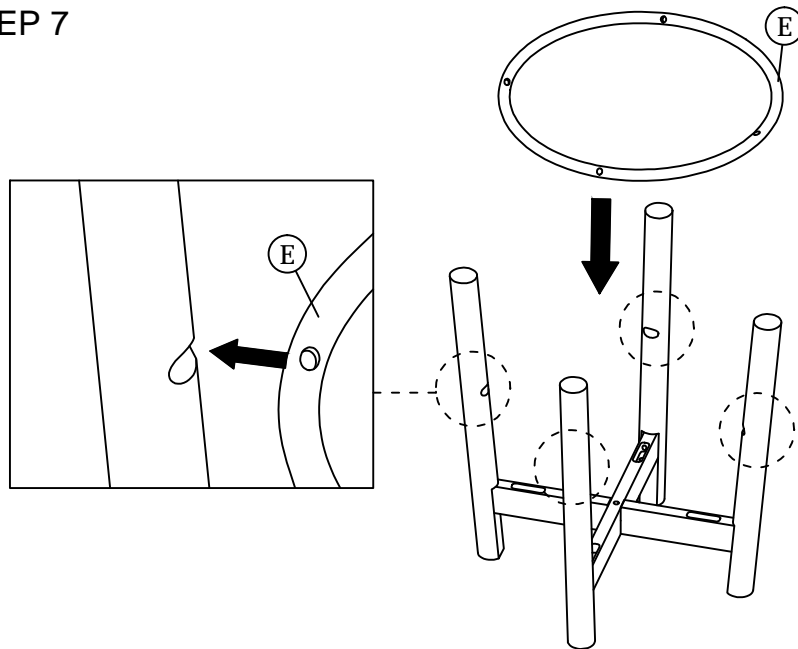


STEP 6

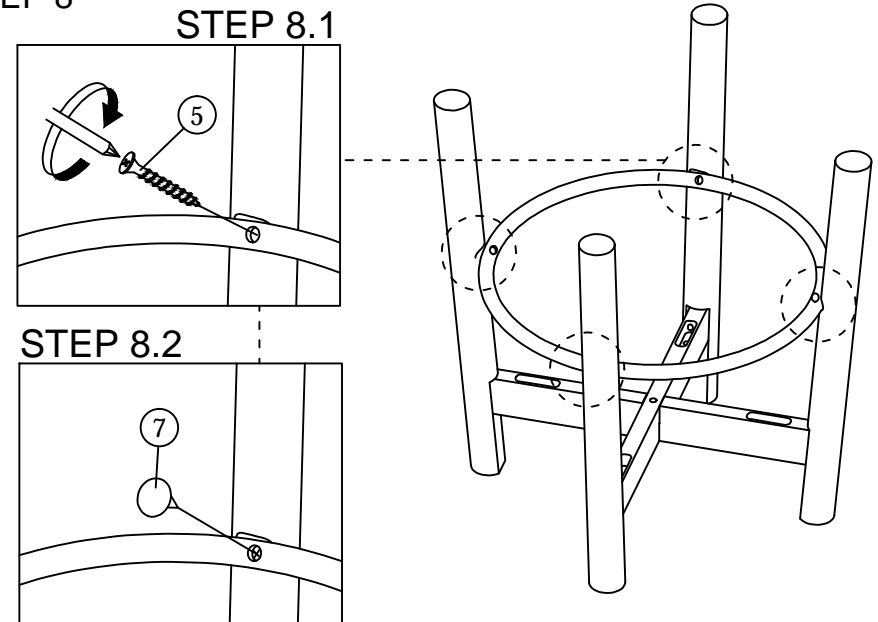


# ASSEMBLY INSTRUCTIONS

STEP 7

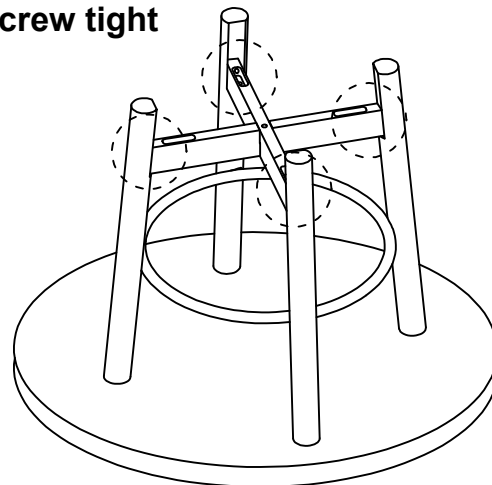


STEP 8

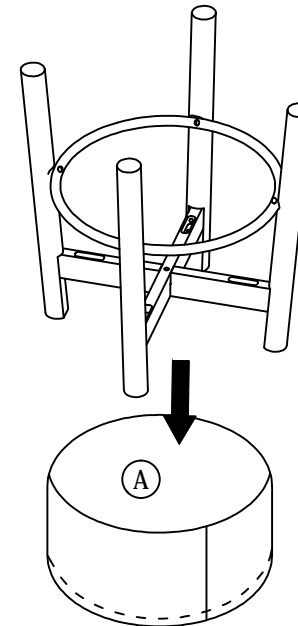


STEP 9

**Place the chair on the flat surface and adjust the alignment and balance of the legs then , Please screw tight the steps 3 , 4 bolts.**

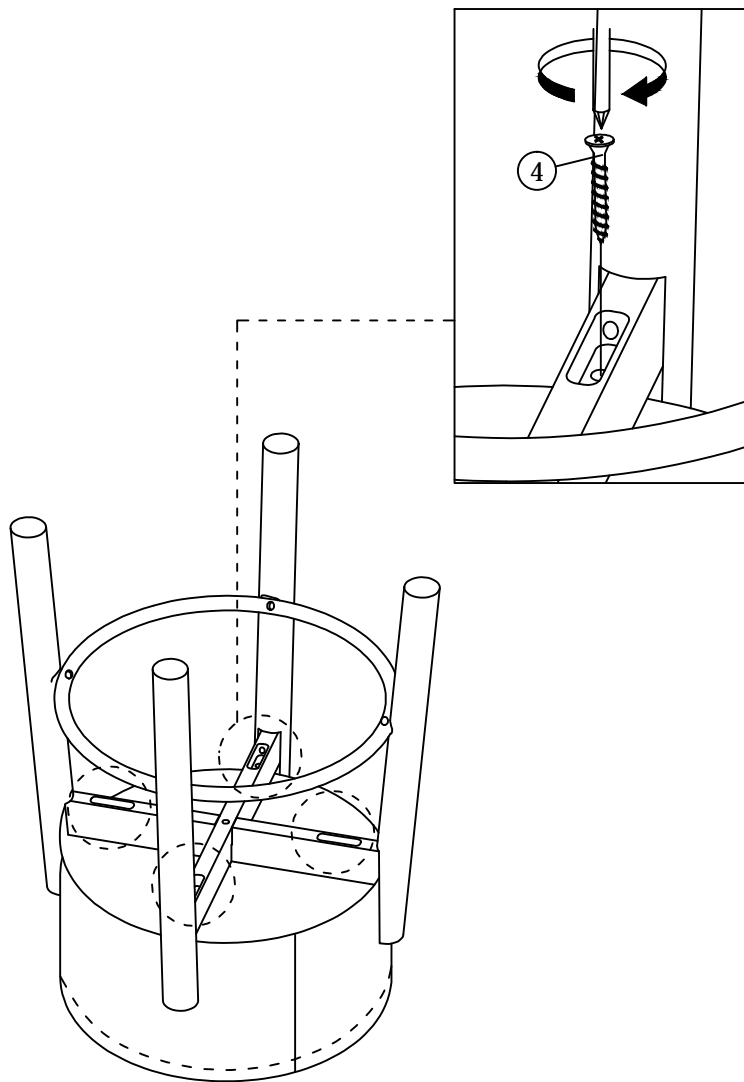


STEP 10



# ASSEMBLY INSTRUCTIONS

STEP 11



STEP 12

