


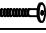





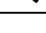

Read this instruction carefully. See hardware and furniture part list for guidance.
 Be sure all parts are complete before assembly. Place all wooden furniture parts on a clean and flat soft surface to prevent from being scratched.
 Follow the figure to start assembling.

CAUTION : 1. Do not FULLY - TIGHTEN the nuts or nuts bolts until they are ready for assembly.
 2. Do not OVER - TIGHTEN the nuts or bolts to avoid causing damages to the thread.
 3. Keep all hardware parts out of reach of children.

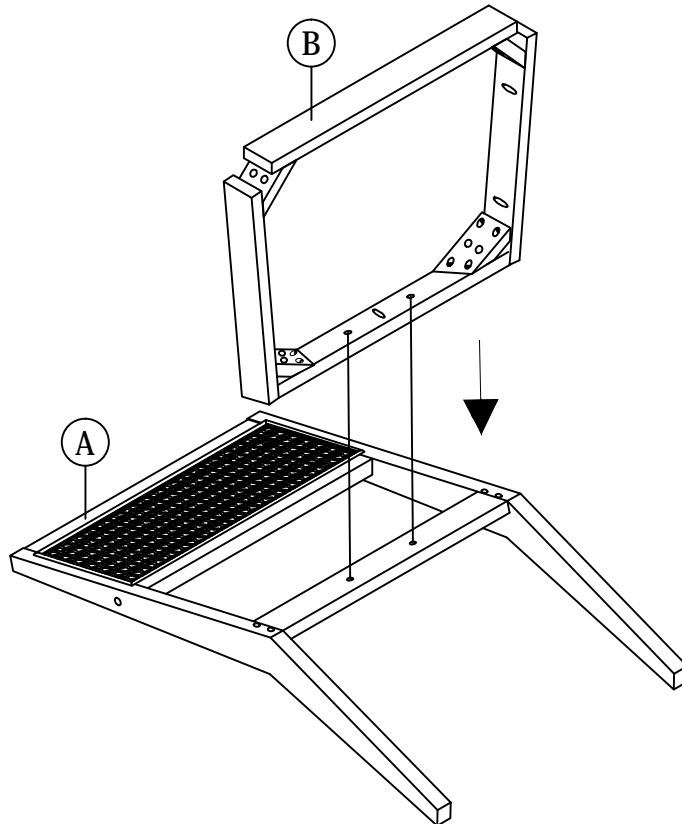
NOTE : THE LIST AND QUANTITY SHOWN ARE FOR 1 UNIT ASSEMBLY.

Tools needed : Screwdriver (not provided).

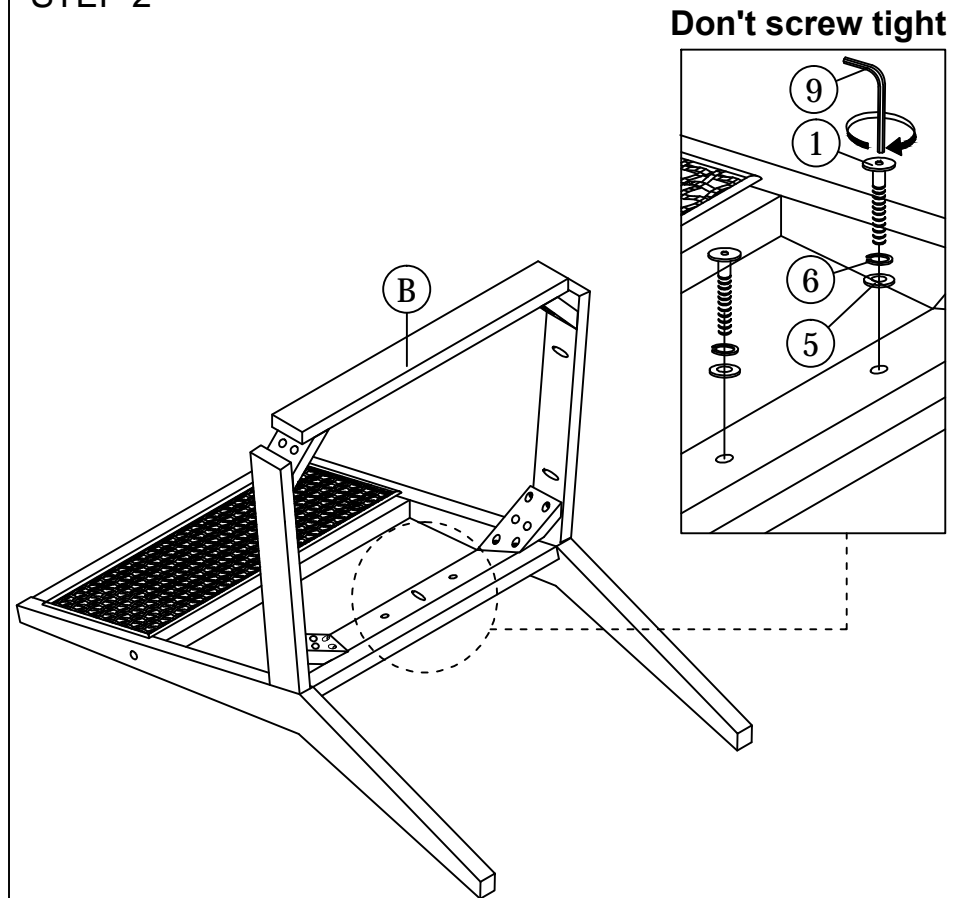
PART LIST			
ITEM	DESCRIPTION	BOX	QTY
A	CHAIR BACK	1	1 PC
B	SEAT FRAME	1	1 PC
C	ARM L/R	1	2 PCS
D	CUSHION	1	1 PC

HARDWARE LIST (BOX : 1)		
ITEM	DESCRIPTION	QTY
1	JCBC BOLT M6 x 35mm 	2 PCS
2	JCBC BOLT M6 x 60mm 	4 PCS
3	JCBC BOLT M6 x 80mm 	2 PCS
4	JCBC BOLT M6 x 90mm 	2 PCS
5	M6 FLAT WASHER 	10 PCS
6	M6 SPRING WASHER 	10 PCS
7	WOOD SCREW M4 x 32mm 	9 PCS
8	WOOD DOWEL M12 x 30mm 	2 PCS
9	M4 ALLEN KEY (BALL SHAPE) 	1 PC

STEP 1



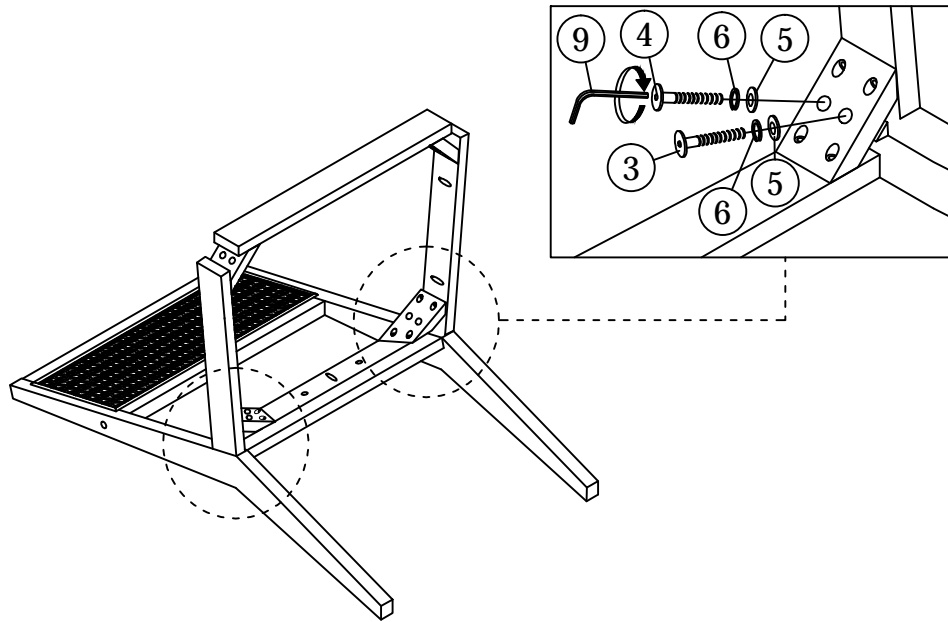
STEP 2



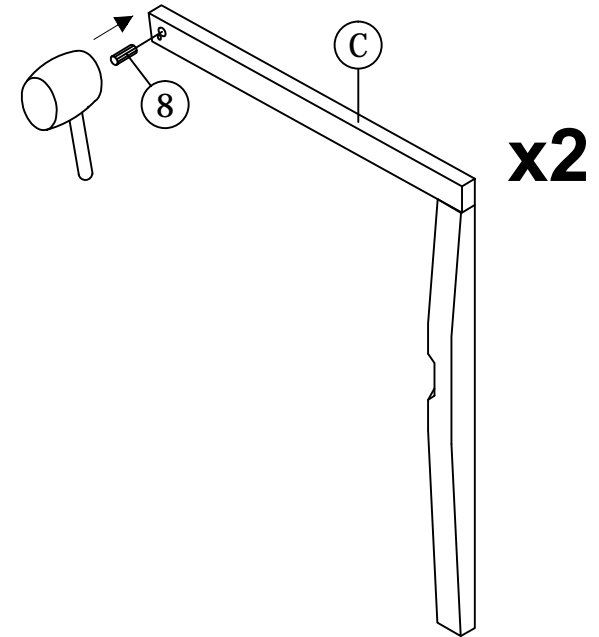
ASSEMBLY INSTRUCTIONS

STEP 3

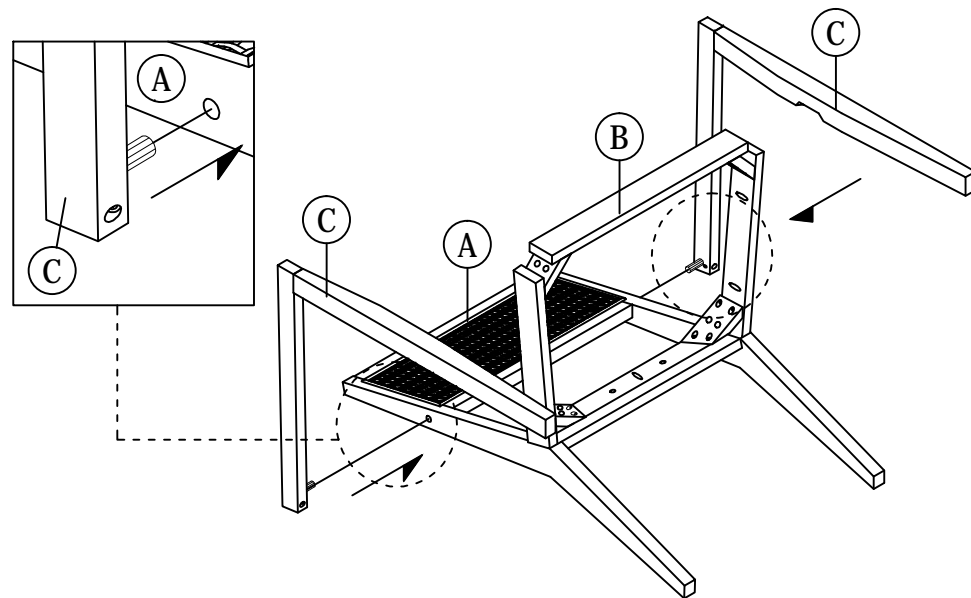
Don't screw tight



STEP 4

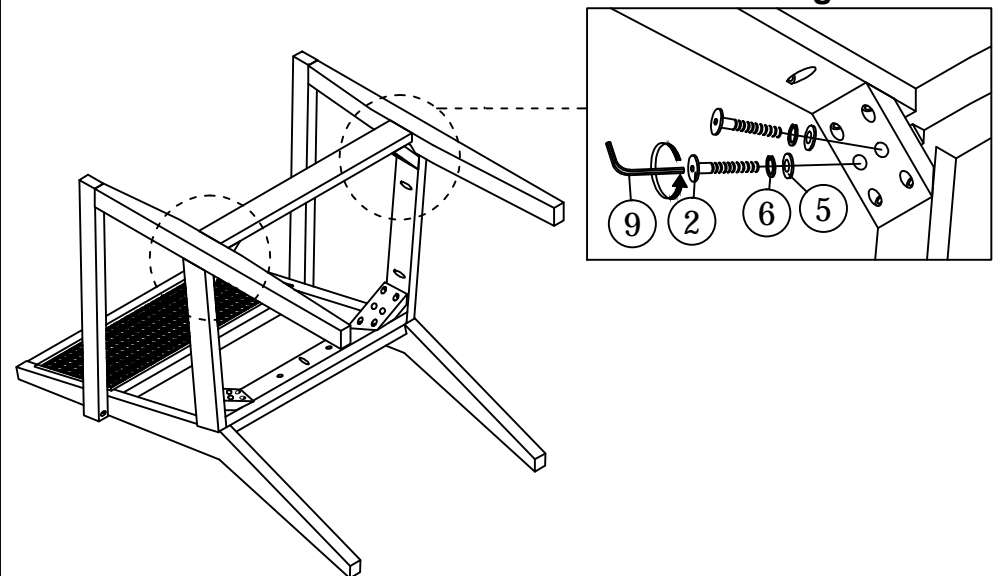


STEP 5



STEP 6

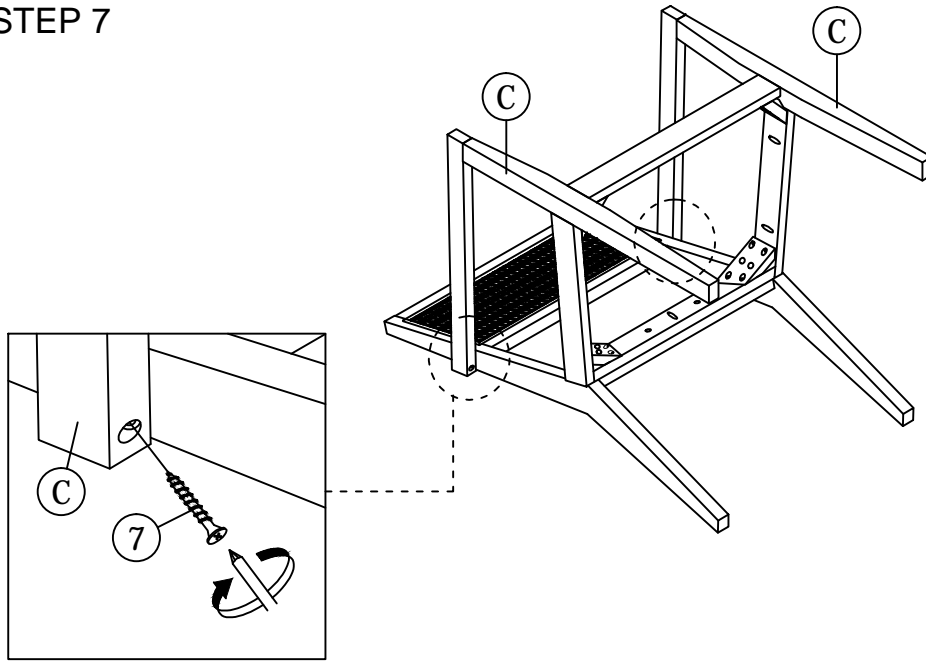
Don't screw tight



ASSEMBLY INSTRUCTIONS

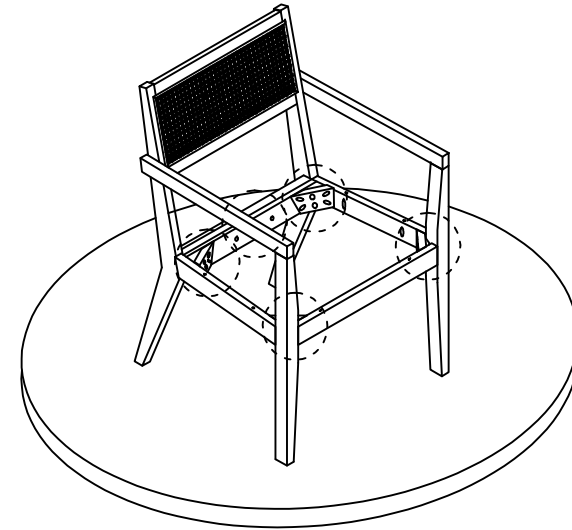
3 OF 4

STEP 7

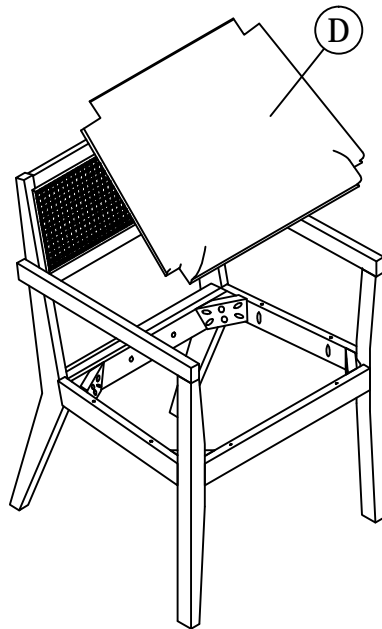


STEP 8

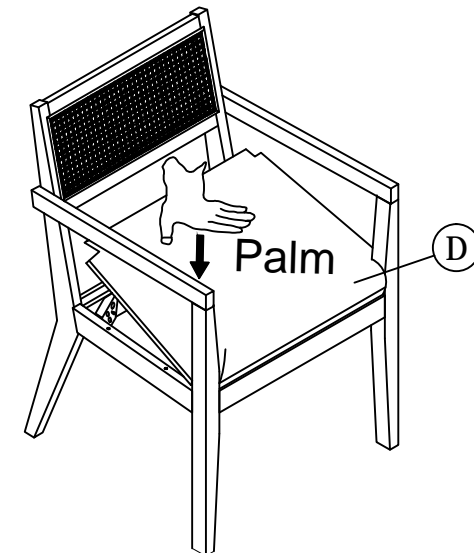
Place the chair on the flat surface and adjust the alignment and balance of the legs then , Please screw tight the steps 2 , 3 , 6 bolts.



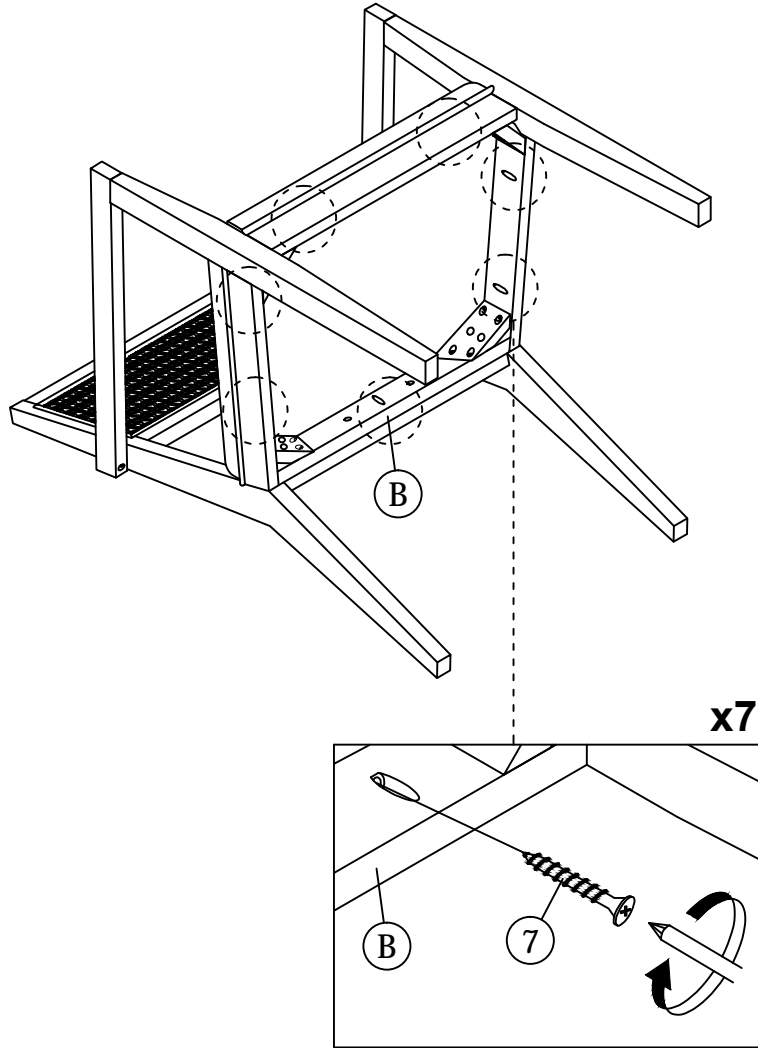
STEP 9



STEP 10



STEP 11



STEP 12

