

Read this instruction carefully. See hardware and furniture part list for guidance. Be sure all parts are complete, before you assemble. Place all wooden furniture parts on a clean and flat soft surface to prevent from being scratched. Follow the figure to start assembling.

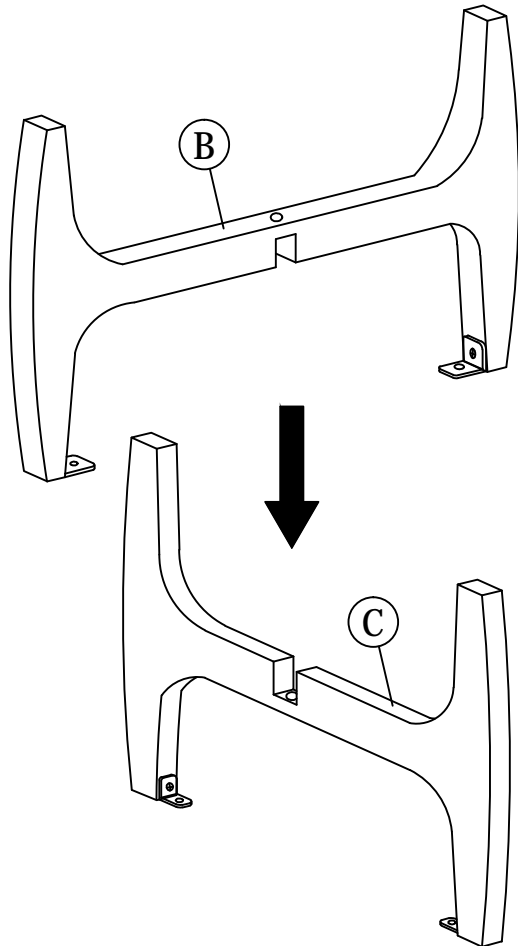
CAUTIONS : 1. Do not FULLY - TIGHTEN the nut or nut bolt until all nut or bolt is ready assembled.
 2. Do not OVER - TIGHTEN the nut or bolt to avoid causing damages to the thread.
 3. Keep all hardware parts out of reach of children.

NOTE : THE LIST AND QUANTITY SHOWN ARE FOR 1 UNIT ASSEMBLY.
 Tool needed : Screwdriver & Rubber Mallet (not provided).

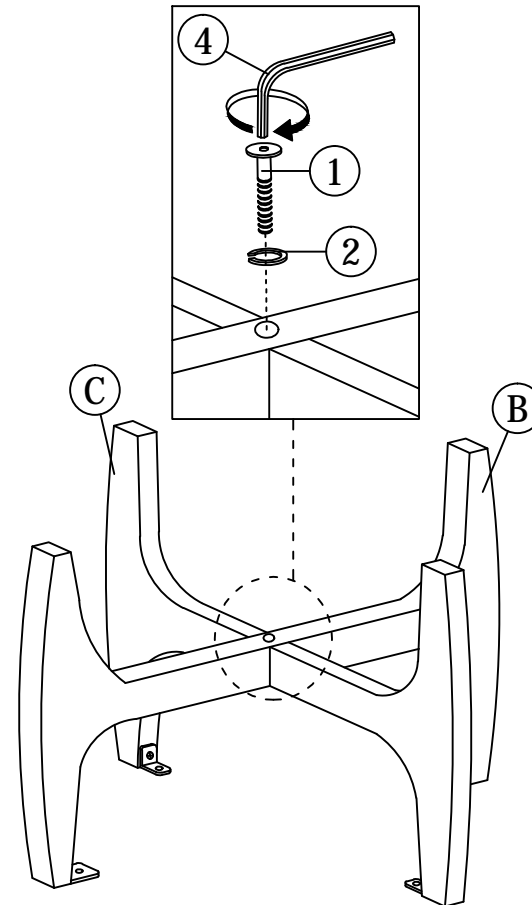
PART LIST			
ITEM	DESCRIPTION	BOX	QTY
A	CHAIR	1	1 PC
B	LEG FRAME (1)	1	1 PC
C	LEG FRAME (2)	1	1 PC

HARDWARE LIST		
ITEM	DESCRIPTION	QTY
1	JCBC BOLT M6 x 30mm	1 PC
2	M6 SPRING WASHER	1 PC
3	PAN HEAD SCREW M4 x 16mm(BLACK)	4 PCS
4	M4 ALLEN KEY (BALL SHAPE)	1 PC

STEP 1

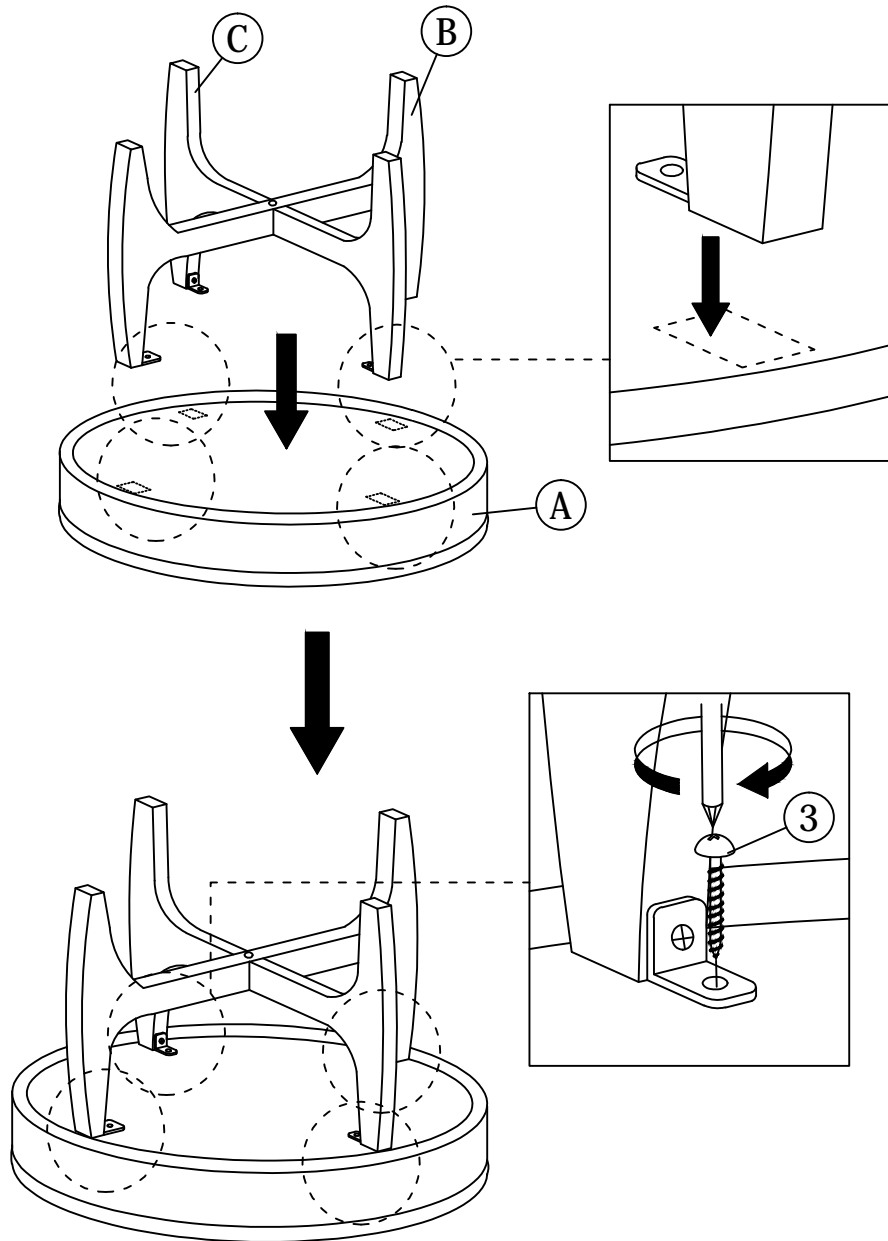


STEP 2



ASSEMBLY INSTRUCTIONS

STEP 3 Note : Follow marking line assemble leg.



STEP 4

