





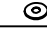
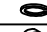


Read this instruction carefully. See hardware and furniture part list for guidance. Be sure all parts are complete, before you assemble. Place all wooden furniture parts on a clean and flat soft surface to prevent from being scratched. Follow the figure to start assembling.

**CAUTIONS :** 1. Do not FULLY - TIGHTEN the nut or nut bolt until all nut or bolt is ready assembled.  
 2. Do not OVER - TIGHTEN the nut or bolt to avoid causing damages to the thread.  
 3. Keep all hardware parts out of reach of children.

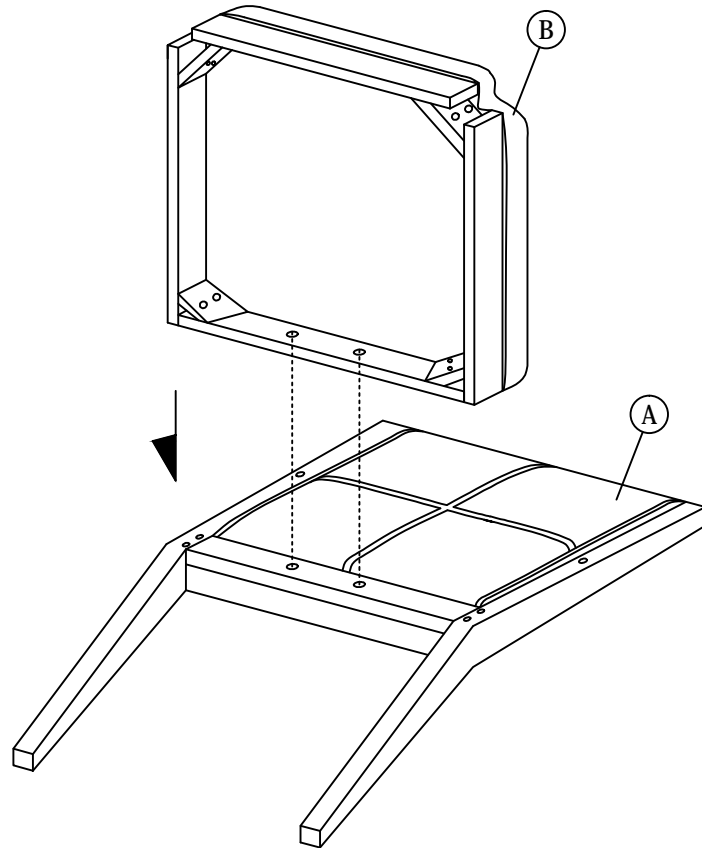
NOTE : THE LIST AND QUANTITY SHOWN ARE FOR 1 UNIT ASSEMBLY.

Tool needed : Screwdriver (not provided).

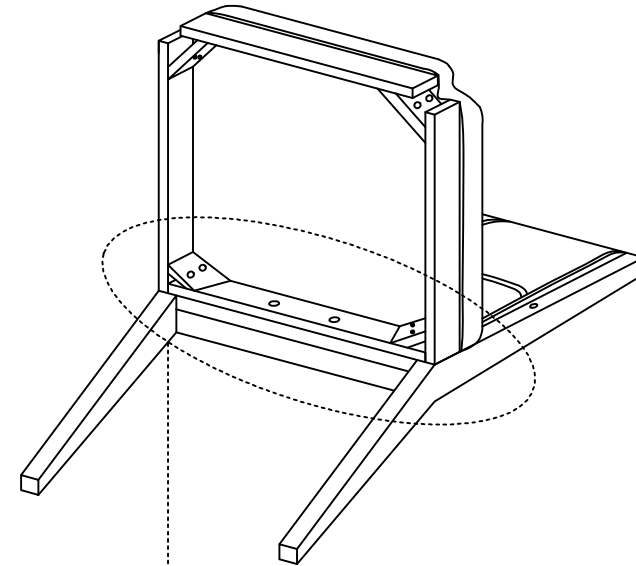
PART LIST		
ITEM	DESCRIPTION	QTY
A	CHAIR BACK	1 PC
B	CUSHION SEAT FRAME	1 PC
C	ARM (L)	1 PC
D	ARM (R)	1 PC

HARDWARE LIST		
ITEM	DESCRIPTION	QTY
1	JCBC Bolt M6 x 45mm 	4 PCS
2	JCBC Bolt M6 x 60mm 	4 PCS
3	JCBC Bolt M6 x 80mm 	2 PCS
4	JCBC Bolt M6 x 90mm 	2 PCS
5	M6 FLAT WASHER 	10 PCS
6	M6 SPRING WASHER 	12 PCS
7	WOOD BUTTON DIA 13.5mm 	2 PCS
8	M4 ALLEN KEY (BALL SHAPE) 	1 PC

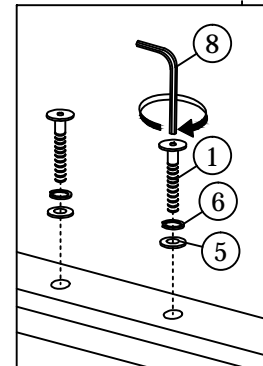
## STEP 1



## STEP 2

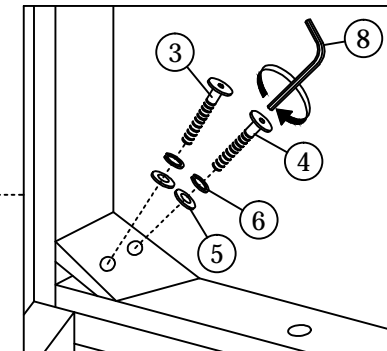


### STEP 2.1



Don't screw tied

### STEP 2.2



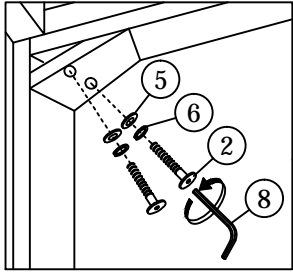
Don't screw tied

# ASSEMBLY INSTRUCTIONS

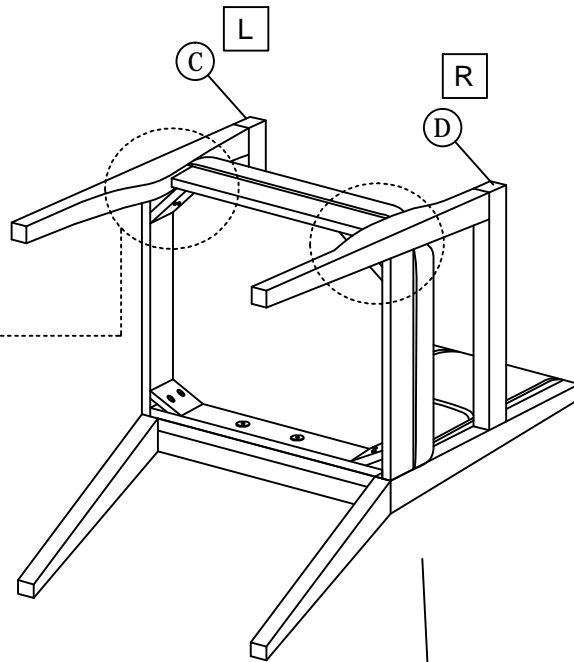
2 OF 2

## STEP 3

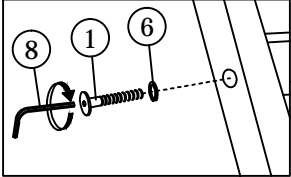
### STEP 3.1



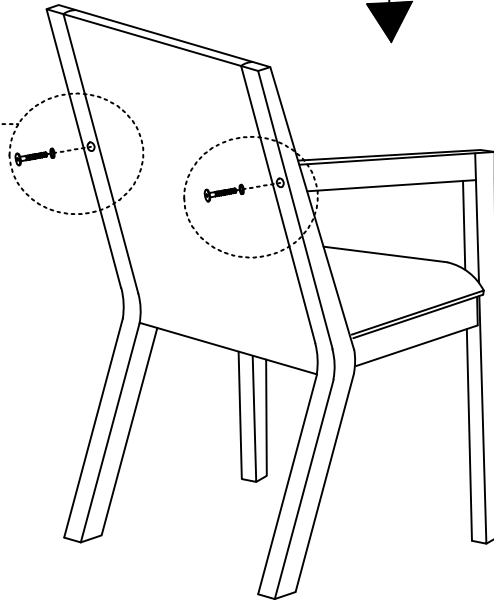
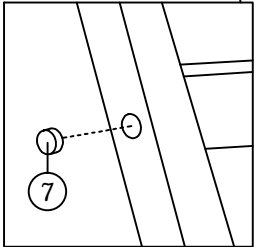
Don't screw tied



### STEP 3.2

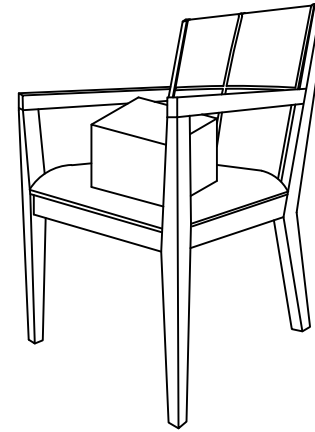


### STEP 3.3

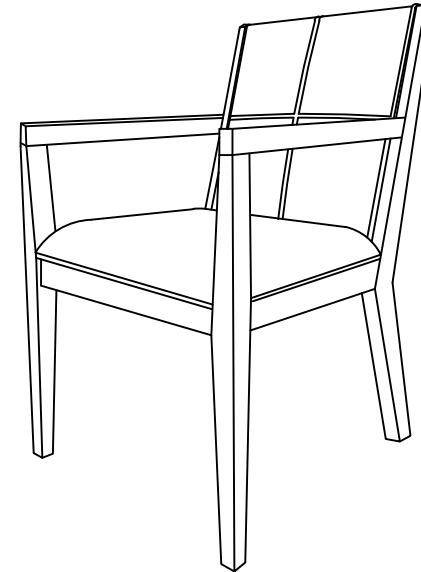


## STEP 4

Note : Please put a heavy object or seat one adult on top of the Seat Frame to pressure the chair for leveling.  
Fully tighten step 2 & step 3 all Bolts .



## STEP 5




# ASSEMBLY INSTRUCTIONS

Read this instruction carefully. See hardware and furniture part list for guidance. Be sure all parts are complete, before you assemble. Place all wooden furniture parts on a clean and flat soft surface to prevent from being scratched. Follow the figure to start assembling.

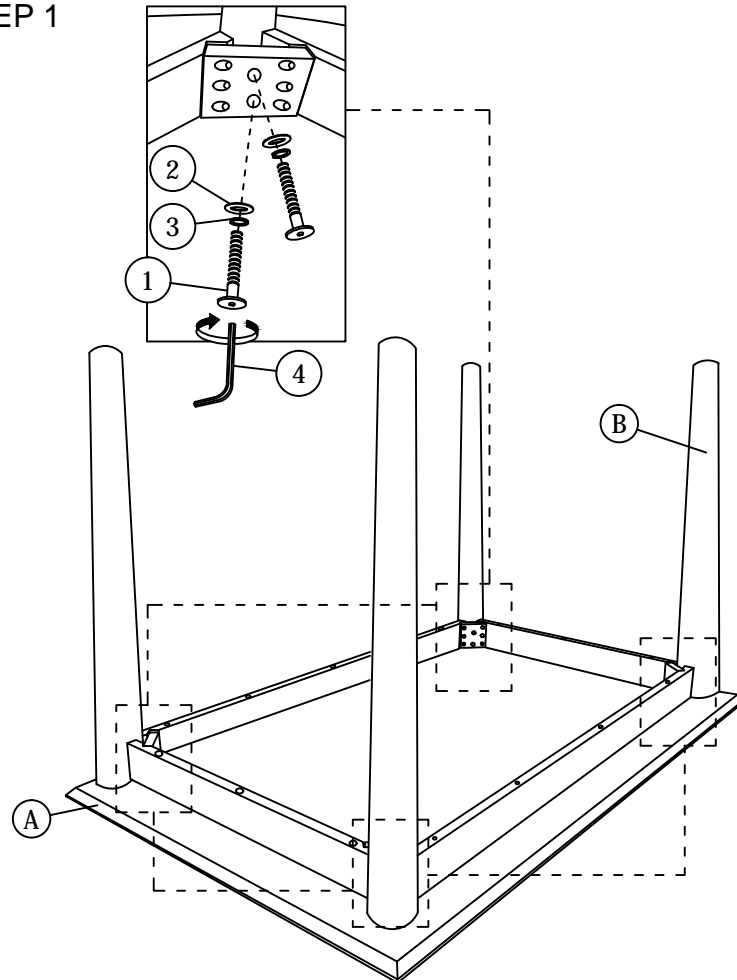
**CAUTIONS :** 1. Do not FULLY - TIGHTEN the nut or nut bolt until all nut or bolt is ready assembled.  
2. Do not OVER - TIGHTEN the nut or bolt to avoid causing damages to the thread.  
3. Keep all hardware parts out of reach of children.

**NOTE :** THE LIST AND QUANTITY SHOWN ARE FOR 1 UNIT ASSEMBLY.

PART LIST		
ITEM	DESCRIPTION	QTY
A	TABLE TOP	1 PC
B	LEGS	4 PCS

PART LIST		
ITEM	DESCRIPTION	QTY
1	JCBC BOLT M6 x 60mm 	8 PCS
2	M6 FLAT WASHER 	8 PCS
3	M6 SPRING WASHER 	8 PCS
4	M4 ALLEN KEY 	1 PC

## STEP 1



## STEP 2

