

Read this instruction carefully. See hardware and furniture part list for guidance. Be sure all parts are complete, before you assemble. Place all wooden furniture parts on a clean and flat soft surface to prevent from being scratched. Follow the figure to start assembling.

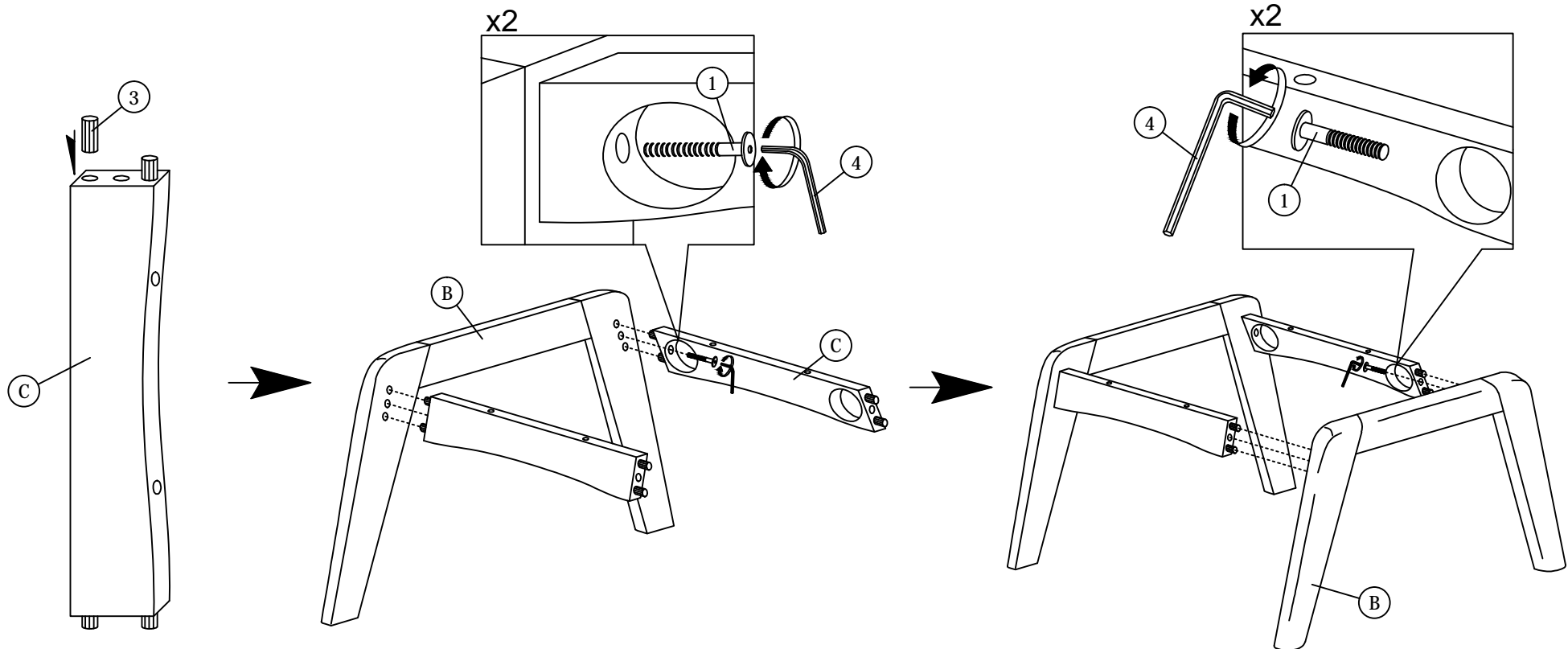
CAUTIONS : 1. Do not FULLY - TIGHTEN the nut or nut bolt until all nut or bolt is ready assembled.
 2. Do not OVER - TIGHTEN the nut or bolt to avoid causing damages to the thread.
 3. Keep all hardware parts out of reach of children.

PART LIST		
ITEM	DESCRIPTION	QTY
A	CUSHION	1 PC
B	LEG	2 PCS
C	SUPPORT RAIL	2 PCS

HARDWARE LIST		
ITEM	DESCRIPTION	QTY
1	JCBB BOLT M8 x 40mm 	4pcs
2	WOOD SCREW M4 x 38mm 	4pcs
3	WOOD DOWEL M10 x 35mm 	8pcs
4	M5 ALLEN KEY (BALL SHAPE) 	1pc

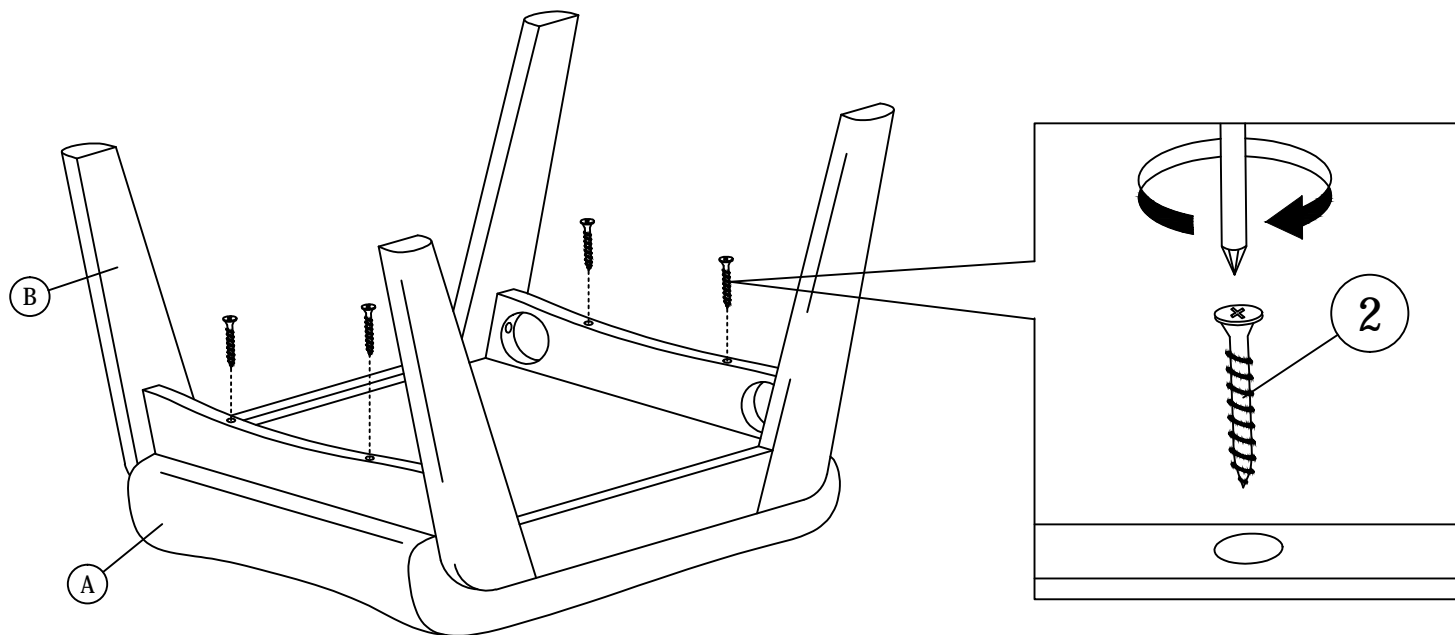
NOTE : THE LIST AND QUANTITY SHOWN ARE FOR 1 UNIT ASSEMBLY.
 Tool needed : Screwdriver (not provided).

STEP 1



ASSEMBLY INSTRUCTIONS

STEP 2



STEP 3

