

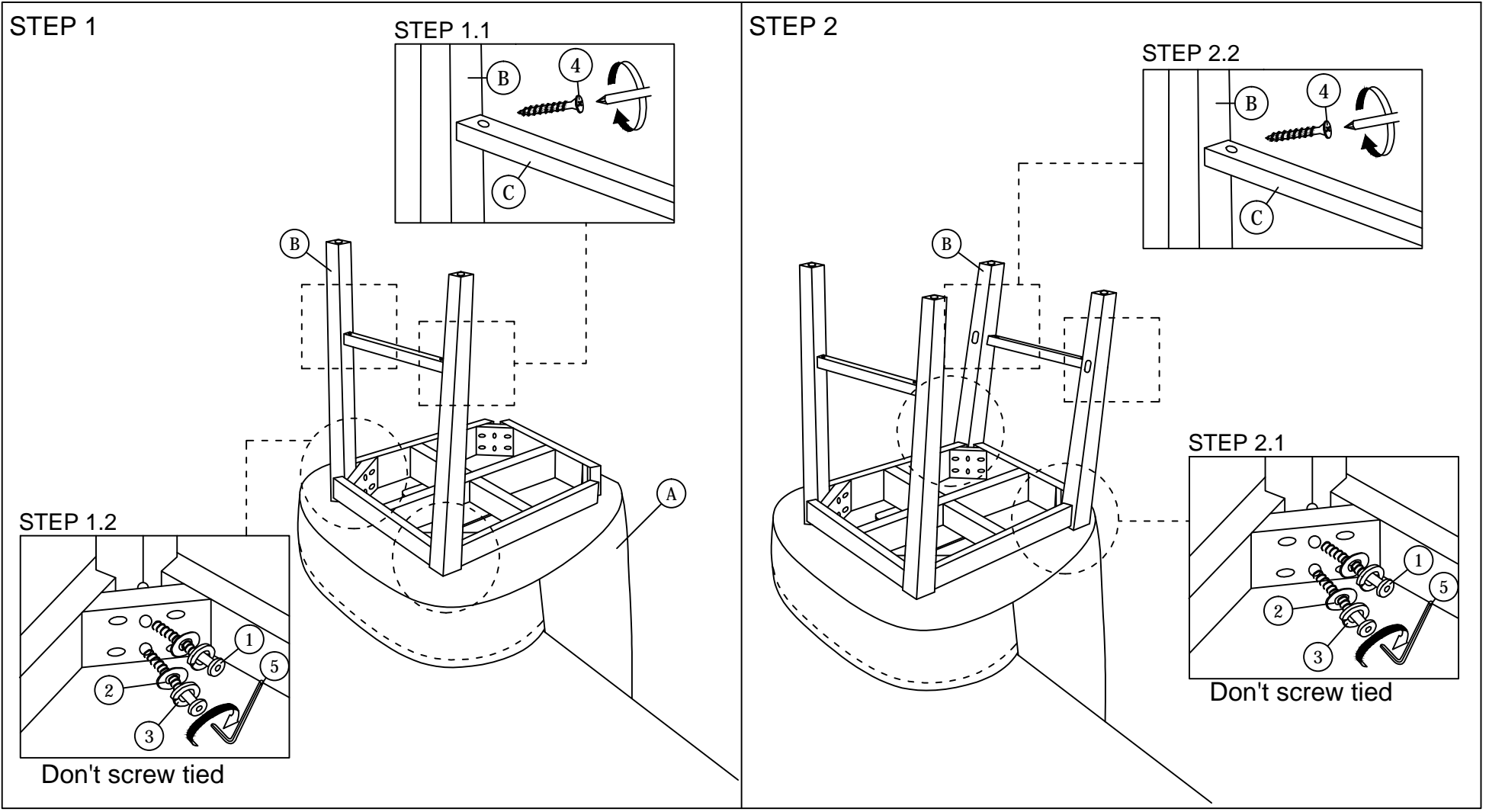
Read this instruction carefully. See hardware and furniture part list for guidance. Be sure all parts are complete, before you assemble. Place all wooden furniture parts on a clean and flat soft surface to prevent from being scratched. Follow the figure to start assembling.

**CAUTIONS :** 1. Do not FULLY - TIGHTEN the nut or nut bolt until all nut or bolt is ready assembled.  
 2. Do not OVER - TIGHTEN the nut or bolt to avoid causing damages to the thread.  
 3. Keep all hardware parts out of reach of children.

NOTE : THE LIST AND QUANTITY SHOWN ARE FOR 1 UNIT ASSEMBLY.

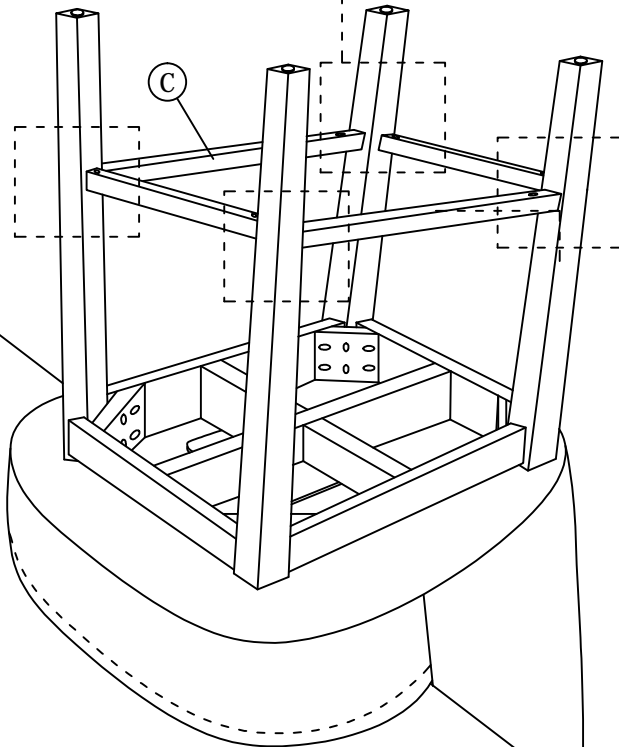
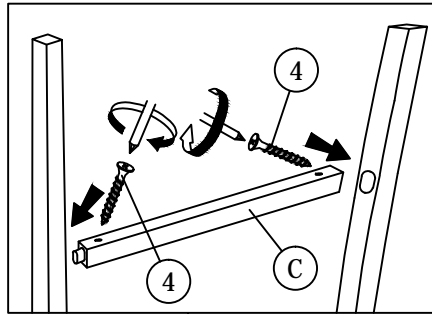
PART LIST		
ITEM	DESCRIPTION	QTY
A	CHAIR FRAME	1pc
B	CHAIR LEG	4pcs
C	SIDE RAIL	4pcs

HARDWARE LIST		
ITEM	DESCRIPTION	QTY
1	JCBC BOLT M6 x 50mm	8pcs
2	M6 FLAT WASHER	8pcs
3	M6 SPRING WASHER	8pcs
4	WOOD SCREW M4 x 38mm	8pcs
5	M4 ALLEN KEY (BALL SHAPE)	1pc



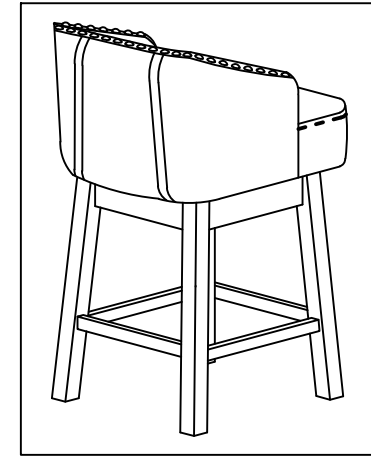
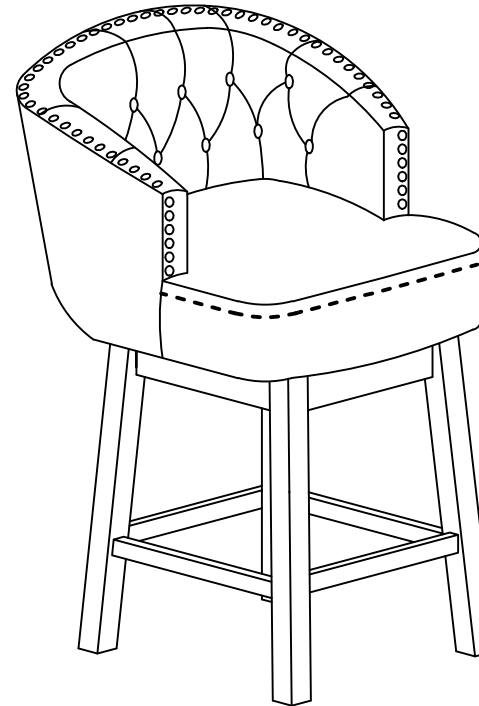
# ASSEMBLY INSTRUCTIONS

## STEP 3



**\*\*Finish step 3,  
Please screw tied the step 1 & 2 bolt.**

## STEP 4



### WARNING

1. Do Not stand on this swivel counter stool.  
Do Not use this swivel counter stool step ladder.
2. Use this product only for seating one person at one time.
3. Do Not use this counter stool unless all bolts,screws and knobs are filmy secured.
4. Failure to follow these warning could result in serious injury.