

MODEL : BBT 5158.11 A1 CHAIR

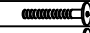

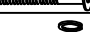

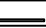

ASSEMBLY INSTRUCTIONS

Read this instruction carefully. See hardware and furniture part list for guidance. Be sure all parts are complete, before you assemble. Place all wooden furniture parts on a clean and flat soft surface to prevent from being scratched. Follow the figure to start assembling.

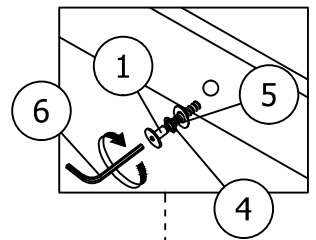
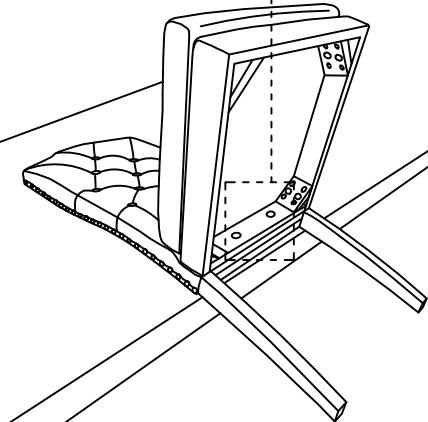
CAUTIONS : 1. Do not FULLY - TIGHTEN the nut or nut bolt until all nut or bolt is ready assembled.
 2. Do not OVER - TIGHTEN the nut or bolt to avoid causing damages to the thread.
 3. Keep all hardware parts out of reach of children.

NOTE : THE LIST AND QUANTITY SHOWN ARE FOR 1 UNIT ASSEMBLY.

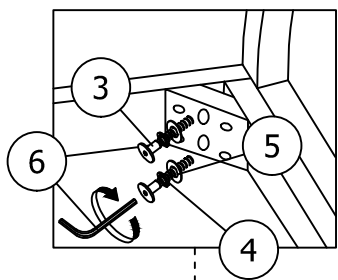
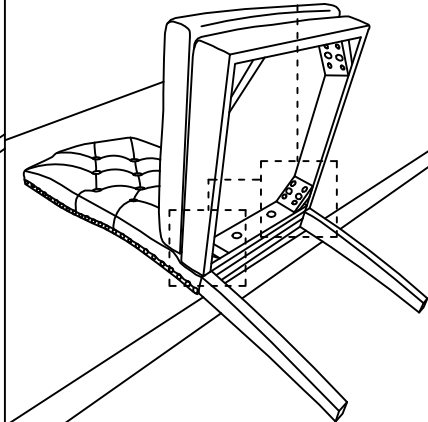
PART LIST		
ITEM	DESCRIPTION	QTY
A	CHAIR BACK	1 PC
B	FRONT LEG	2 PCS
C	CUSHION SEAT FRAME	1 PC

PART LIST		
ITEM	DESCRIPTION	QTY
1	JCBC BOLT M6 x 45mm 	2 PCS
2	JCBC BOLT M6 x 60mm 	4 PCS
3	JCBC BOLT M6 x 80mm 	4 PCS
4	M6 SPRING WASHER 	10 PCS
5	M6 FLAT WASHER 	10 PCS
6	M4 ALLEN KEY 	1 PC

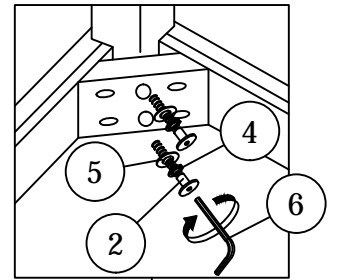
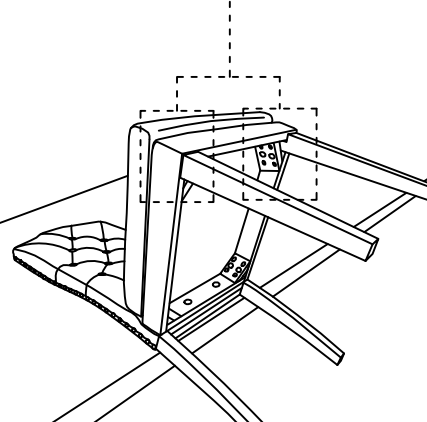
STEP 1

STEP 2

STEP 3

STEP 4

BACK VIEW

