

Read this instruction carefully. See hardware and furniture part list for guidance. Be sure all parts are complete, before you assemble. Place all wooden furniture parts on a clean and flat soft surface to prevent from being scratched. Follow the figure to start assembling.

PART LIST			
ITEM	DESCRIPTION	BOX	QTY
A	STORAGE BOX	1	1 PC
B	LEG	1	4 PCS

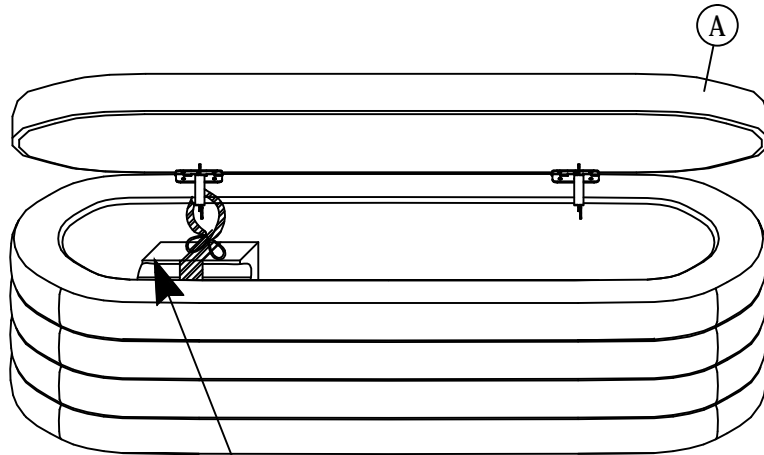
HARDWARE LIST (BOX : 1)		
ITEM	DESCRIPTION	QTY
1		-

- CAUTIONS :**
1. Do not FULLY - TIGHTEN the nut or nut bolt until all nut or bolt is ready assembled.
 2. Do not OVER - TIGHTEN the nut or bolt to avoid causing damages to the thread.
 3. Keep all hardware parts out of reach of children.

NOTE : THE LIST AND QUANTITY SHOWN ARE FOR 1 UNIT ASSEMBLY.

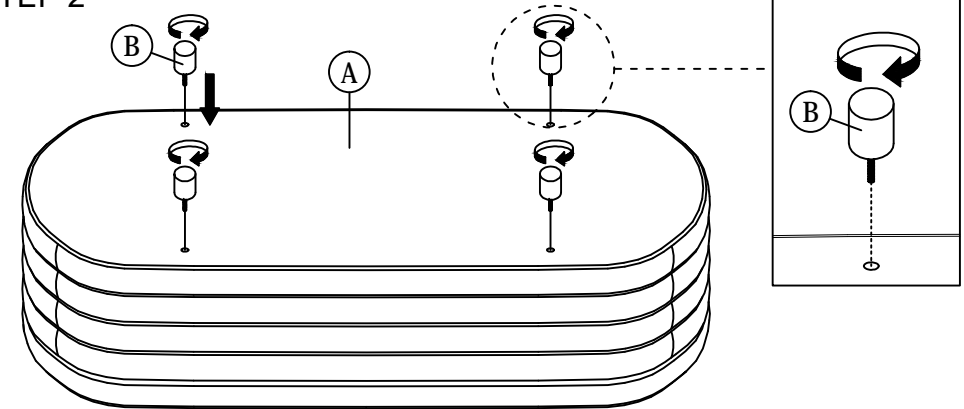
STEP 1

1.1 Open the storage box cover. After that, take out the leg and hardware.



Leg and hardware

STEP 2



STEP 3

