




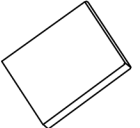
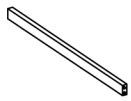


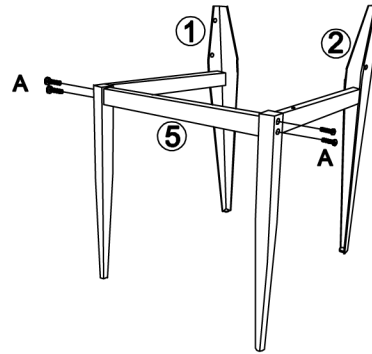


①		4PCS	C	 4×45mm	16PCS
②		4PCS	D		1PC
③		4PCS			
④		4PCS			
⑤		4PCS			
A	 M6×45mm	16PCS			
B	 M6×20mm	16PCS			

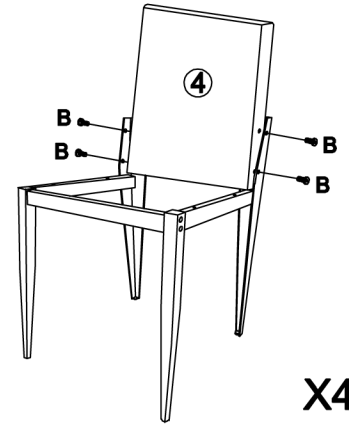
## ASSEMBLY INSTRUCTION

\*\*\*DO NOT TIGHTEN SCREWS UNTIL COMPLETELY ASSEMBLED\*\*\*



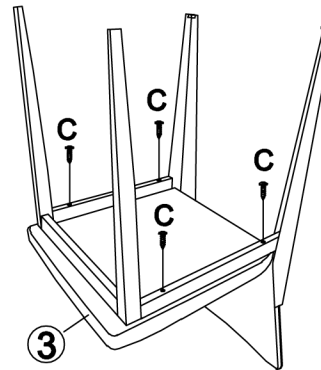
X4

step 1-Use screws(Part A)to connect chair feet(Part 1/2) with cross-bars(Part 5)as a metal chair frame.



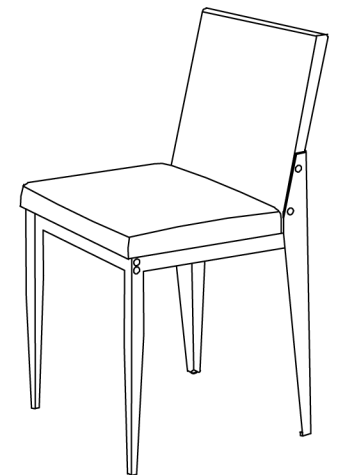
X4

step 2-Use screws(Part B)to connect metal chair frame with backrest(Part 4) .



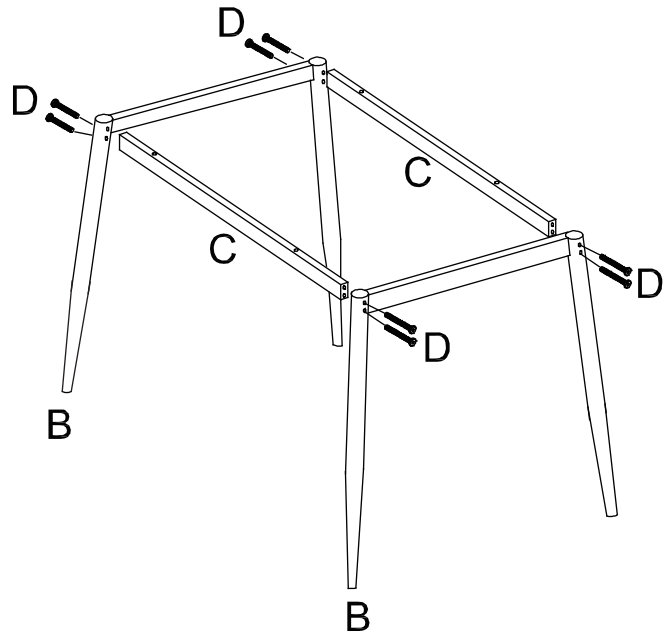
X4

step 3-Use screws(Part C)to connect the chair metal frame with the seat(Part 3).

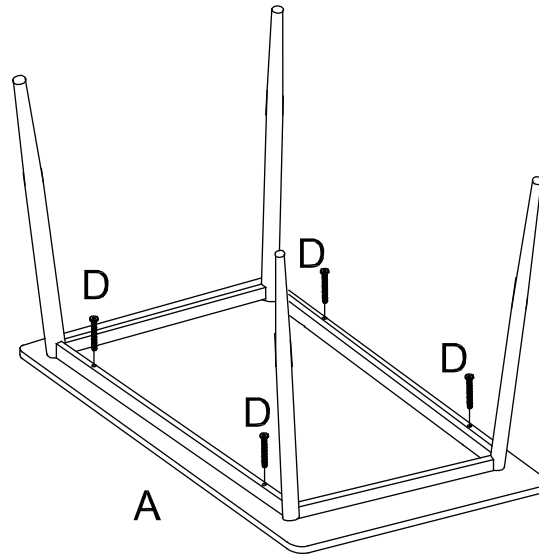


# ASSEMBLY INSTRUCTION

\*\*\*DO NOT TIGHTEN SCREWS UNTIL COMPLETELY ASSEMBLED\*\*\*



Step 1-Use screws(Part D)to connect cross-bars (Part C) with table feet(Part B) as table metal frame



Step 2-Use screws(Part D)to connect table metal frame with the table top(Part A)

