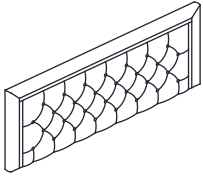


ASSEMBLY INSTRUCTION

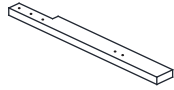
ITEM :B9290-K-HBFB / B9290-KQ-RAIL

1. HEADBOARD
CUSHION



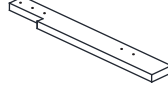
x 1PC

2. HEADBOARD
LEG (LEFT)



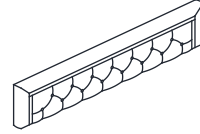
x 1PC

3. HEADBOARD
LEG (RIGHT)



x 1PC

4. FOOTBOARD
CUSHION



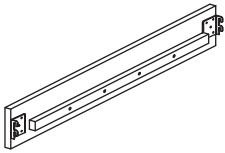
x 1PC

5. FOOTBOARD
LEG



x 2PCS

6. SIDE RAIL



x 2PCS

7. SLAT



x 4PCS

8. SUPPORT LEG
with adjustable feet



x 8PCS

A. JCBB SCREW
M8 x 20mm



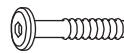
x 8PCS

B. JCBC SCREW
M6 x 15mm



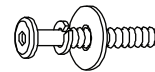
x 6PCS

C. JCBC SCREW
M6 x 35mm



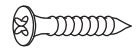
x 8PCS

D. JCBC SCREW
M6 x 50mm
(with washer)



x 6PCS

E. SCREW
M4 x 32mm



x 8PCS

F. L-KEY
M4 x 100mm



x 1PC

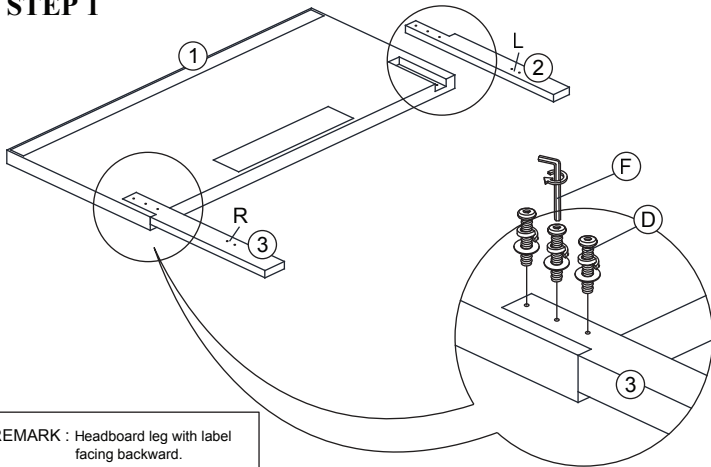
G. L-KEY
M5 x 65mm



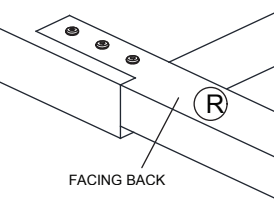
x 1PC

ASSEMBLY INSTRUCTION

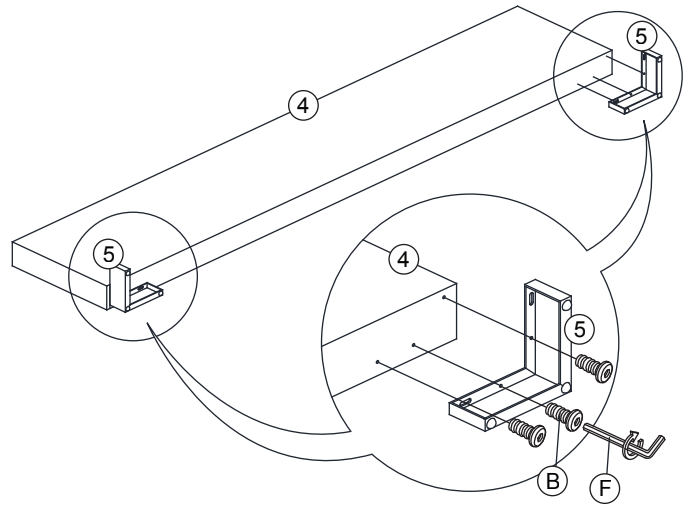
STEP 1



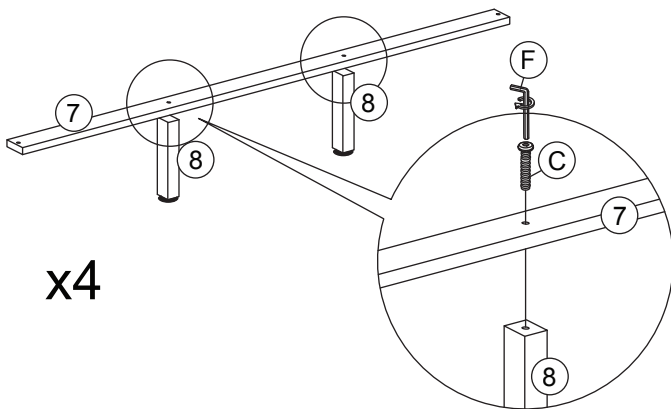
REMARK : Headboard leg with label facing backward.



STEP 2

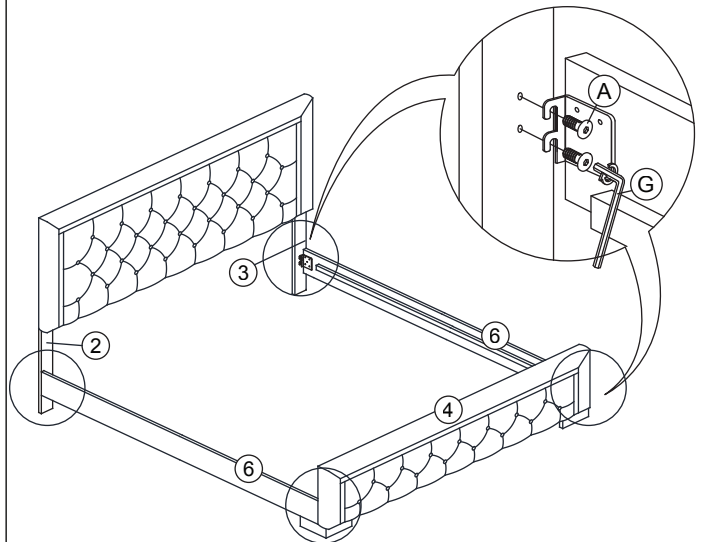


STEP 3

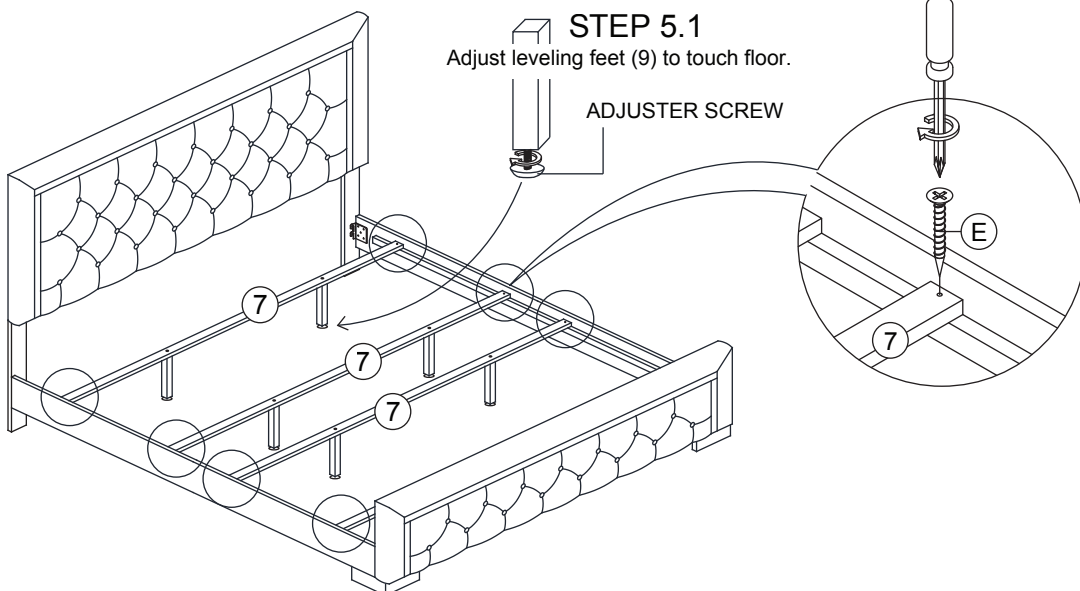


x4

STEP 4



STEP 5



ASSEMBLY COMPLETE