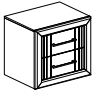




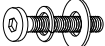
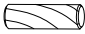

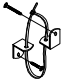
# ASSEMBLY INSTRUCTIONS

ITEM : B9230-2 NIGHTSTAND

**BOX OF NIGHTSTAND PART LIST**

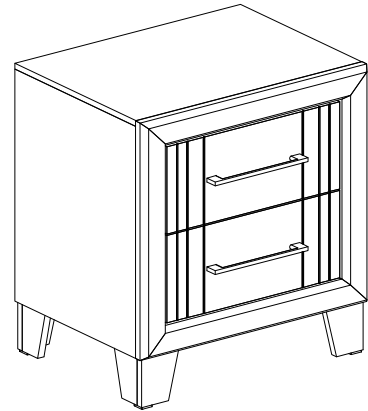
ITEM	DRAWING	DESCRIPTION	QTY
A		NIGHTSTAND	1
B		LEG B	2
C		LEG C	2

**BOX OF NIGHTSTAND HARDWARE LIST**

ITEM	DRAWING	DESCRIPTION	QTY
1		JCBC SCREW M6 x 40MM	4 PCS
2		WOOD DOWEL Ø8 x 30MM	4 PCS
3		ALLEN KEY M4 x 65MM	1 PC
4		TIPPING RESTRAINT * Located in the nightstand 1st drawer.	1 PC

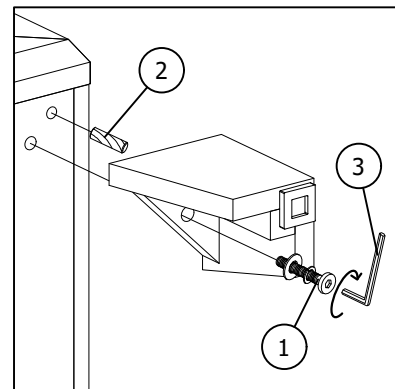
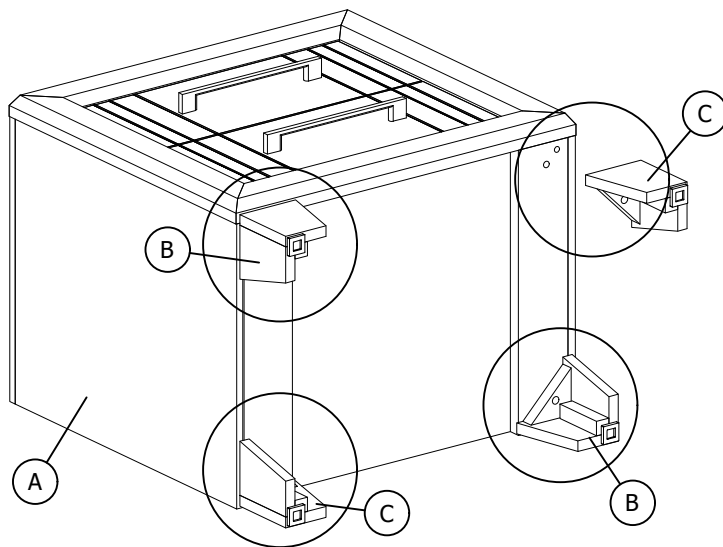
**ASSEMBLY TOOLS REQUIRED**

SCREWDRIVER (NOT PROVIDED)		1
----------------------------	---	---



**COMPLETED ASSEMBLY**

**STEP 1**



THE HARDWARE IS LOCATED IN THE PACKING ITEMS  
THE ANTI TIPPING HARDWARE IS LOCATED IN THE NIGHTSTAND 1ST DRAWER

PAGE 01 OF 02

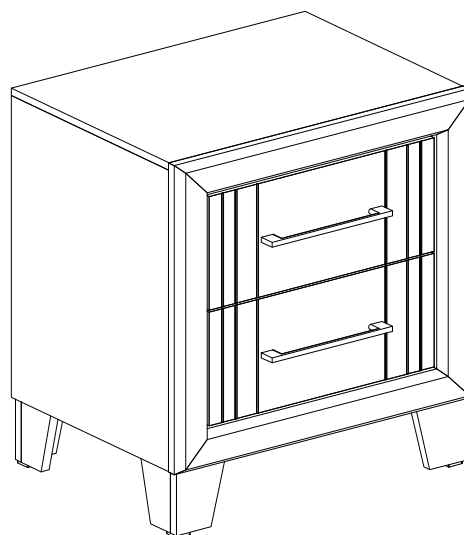
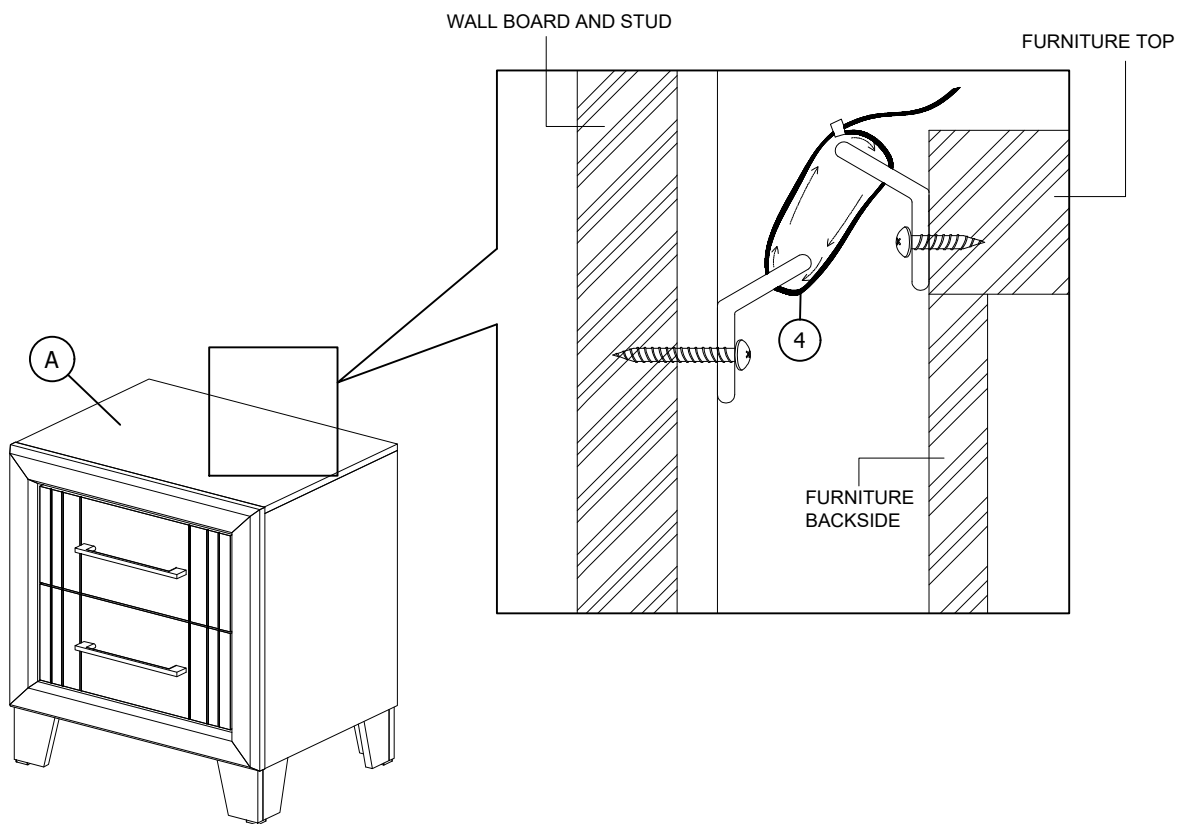
NOTE : MUST TIGHT SCREWS PERIODICALLY. WITH USE SCREWS MAY BECOME LOOSE.  
CHECK TIGHTNESS OF ALL SCREWS EVERY 6-8 WEEKS.

MADE IN MALAYSIA

# ASSEMBLY INSTRUCTIONS

ITEM : B9230-2 NIGHTSTAND

## STEP 2



COMPLETED ASSEMBLY

THE HARDWARE IS LOCATED IN THE PACKING ITEMS  
THE ANTI TIPPING HARDWARE IS LOCATED IN THE NIGHTSTAND 1ST DRAWER

PAGE 02 OF 02

NOTE : MUST TIGHT SCREWS PERIODICALLY. WITH USE SCREWS MAY BECOME LOOSE.  
CHECK TIGHTNESS OF ALL SCREWS EVERY 6-8 WEEKS.

MADE IN MALAYSIA