
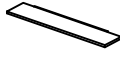


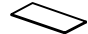

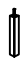







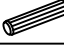



# ASSEMBLY INSTRUCTIONS

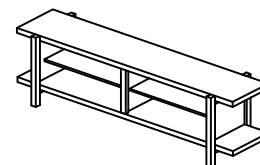
ITEM NO : B8100 - 9  
TACOMA TV STAND

## BOX FOR TACOMA ENTERTAINMENT

ITEM	DRAWING	DESCRIPTION	QTY
A		TOP PANEL A	1
B		TOP PANEL B	1
C		SIDE PANEL	2
D		CENTER PANEL	1
E		SHELF	2
F		BACK PANEL	1
G		SUPPORT LEG	1
H		SIDE FRAME L	1
I		SIDE FRAME R	1

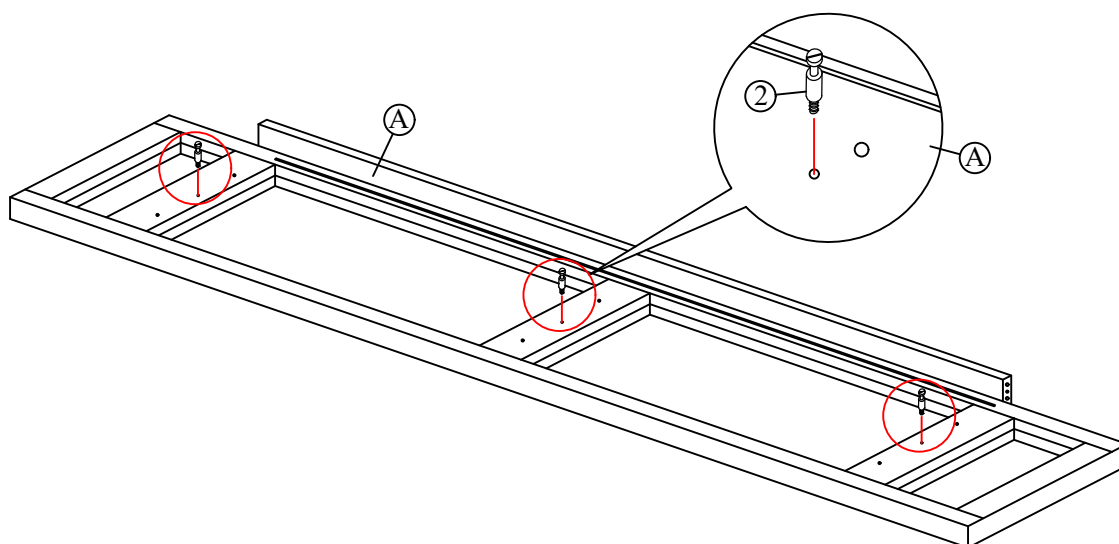
## HARDWARE LIST

ITEM	DRAWING	DESCRIPTION	QTY
1		ALLEN WRENCH (M4(BALL SHAPE)110mm)	1
2		CAM BOLT (T24)	6
3		CAM NUT (D15 X 9.5mm)	6
4		SMALL WOOD DOWEL (M6 x 40mm)	12
5		BIG WOOD DOWEL (M8 x 30mm)	4
6		CONNECTION BOLT (M6 x 60mm) W/WASHER & SPRING WASHER	8
7		CONNECTION BOLT (M6 x 80mm) W/WASHER & SPRING WASHER	4
8		BARREL NUT (M6 x 13mm)	4
9		METAL SHELF NUT WITH HOLE (G165)	8
10		Assembly Tool Not Included	1



**COMPLETED  
TACOMA TV STAND  
ASSEMBLY**

## STEP 1



THE HARDWARE IS LOCATED IN THE PACKING ITEMS

NOTE : MUST TIGHTEN SCREWS PERIODICALLY. WITH USE SCREW MAY BECOME LOOSE.  
CHECK TIGHTNESS OF ALL SCREW EVERY 6-8 WEEKS.

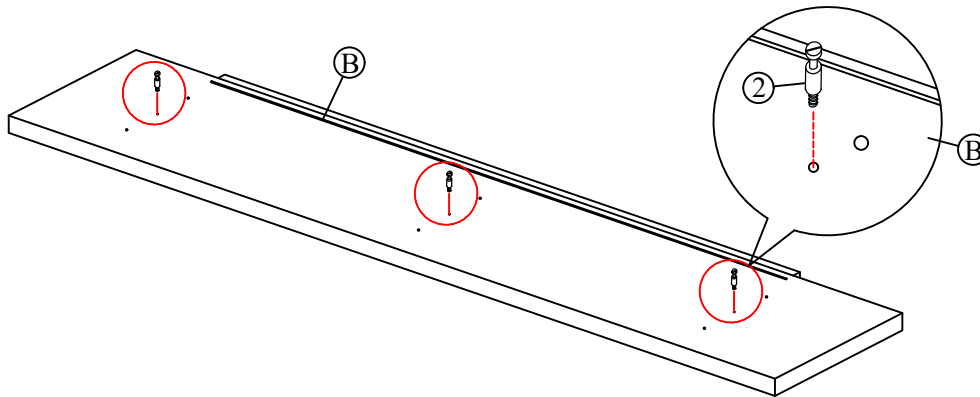
## CLEANING INSTRUCTION

After assembly, clean & polish the completed parts if necessary with soft cloth and industrial recognized furniture polish

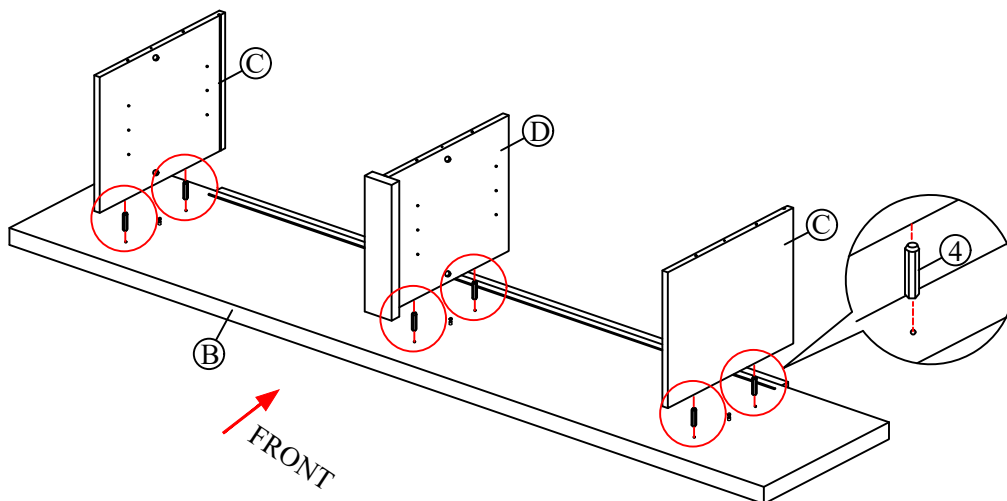
# ASSEMBLY INSTRUCTIONS

ITEM NO : B8100 - 9  
TACOMA TV STAND

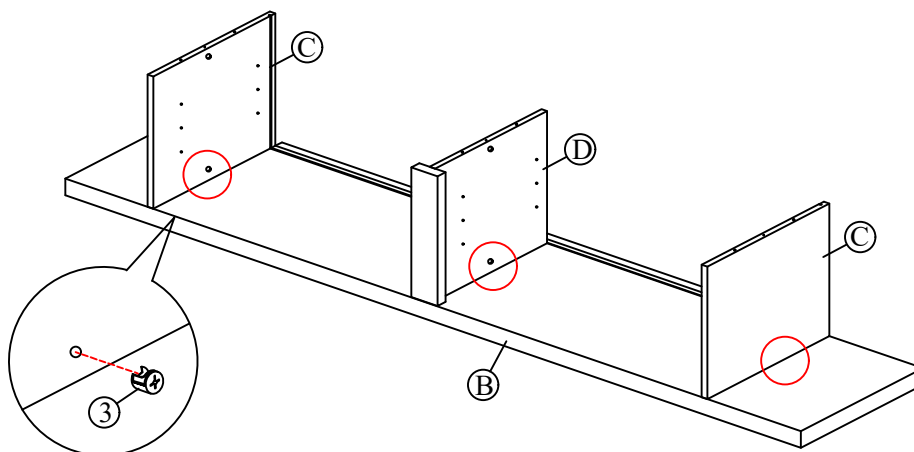
## STEP 2



## STEP 3



## STEP 4



THE HARDWARE IS LOCATED IN THE PACKING ITEMS

NOTE : MUST TIGHTEN SCREWS PERIODICALLY. WITH USE SCREW MAY BECOME LOOSE.  
CHECK TIGHTNESS OF ALL SCREW EVERY 6-8 WEEKS.

### CLEANING INSTRUCTION

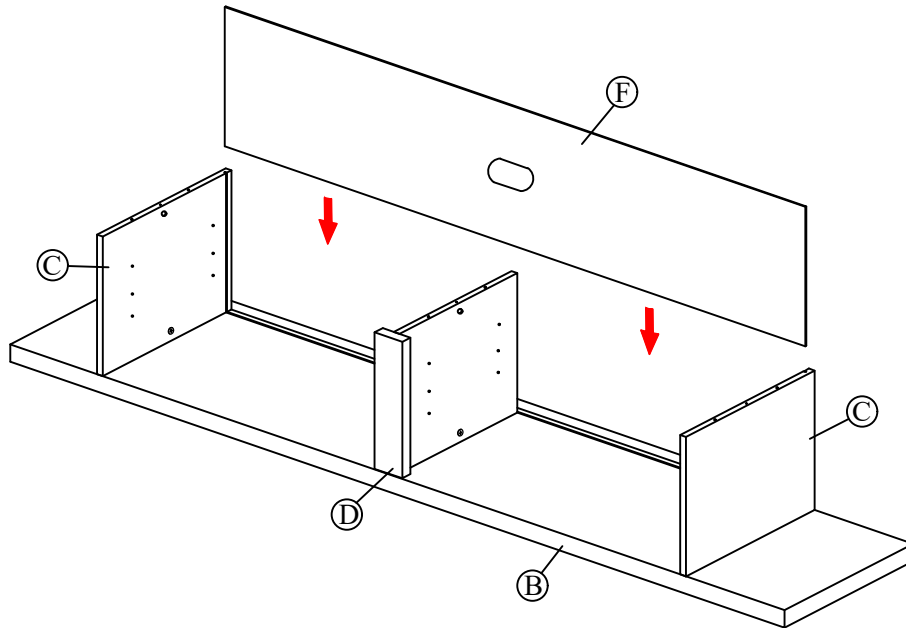
After assembly, clean & polish the completed parts if necessary with soft cloth and industrial recognized furniture polish

MADE IN MALAYSIA

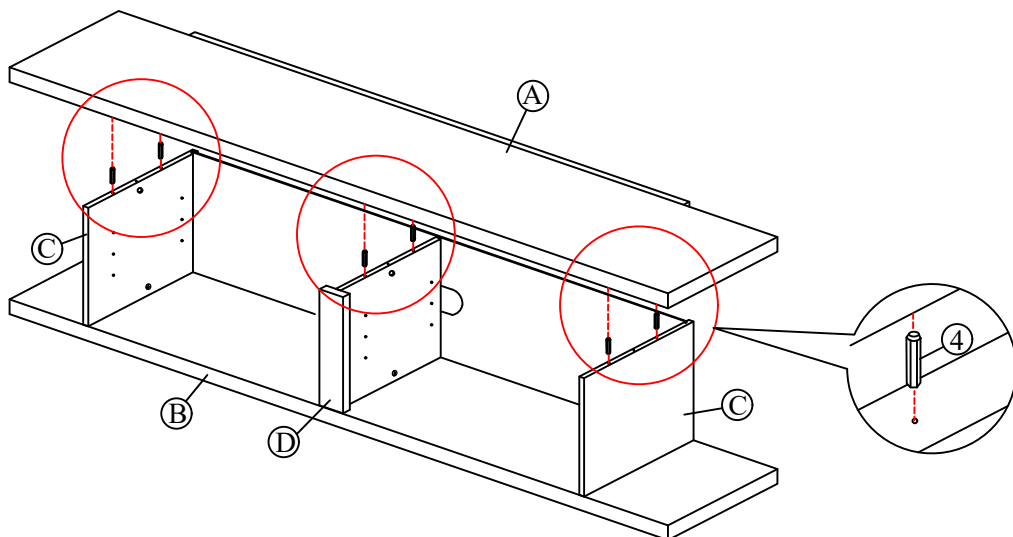
# ASSEMBLY INSTRUCTIONS

ITEM NO : B8100 - 9  
TACOMA TV STAND

## STEP 5



## STEP 6



THE HARDWARE IS LOCATED IN THE PACKING ITEMS

NOTE : MUST TIGHTEN SCREWS PERIODICALLY. WITH USE SCREW MAY BECOME LOOSE.  
CHECK TIGHTNESS OF ALL SCREW EVERY 6-8 WEEKS.

### CLEANING INSTRUCTION

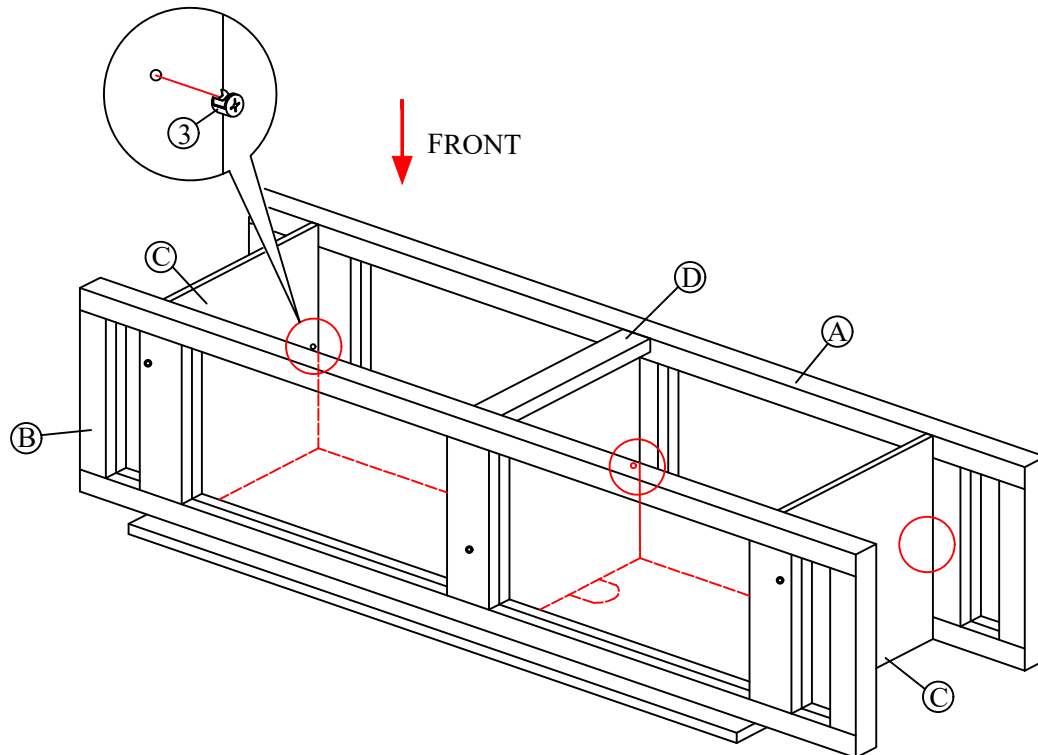
After assembly, clean & polish the completed parts if necessary with soft cloth and industrial recognized furniture polish

MADE IN MALAYSIA

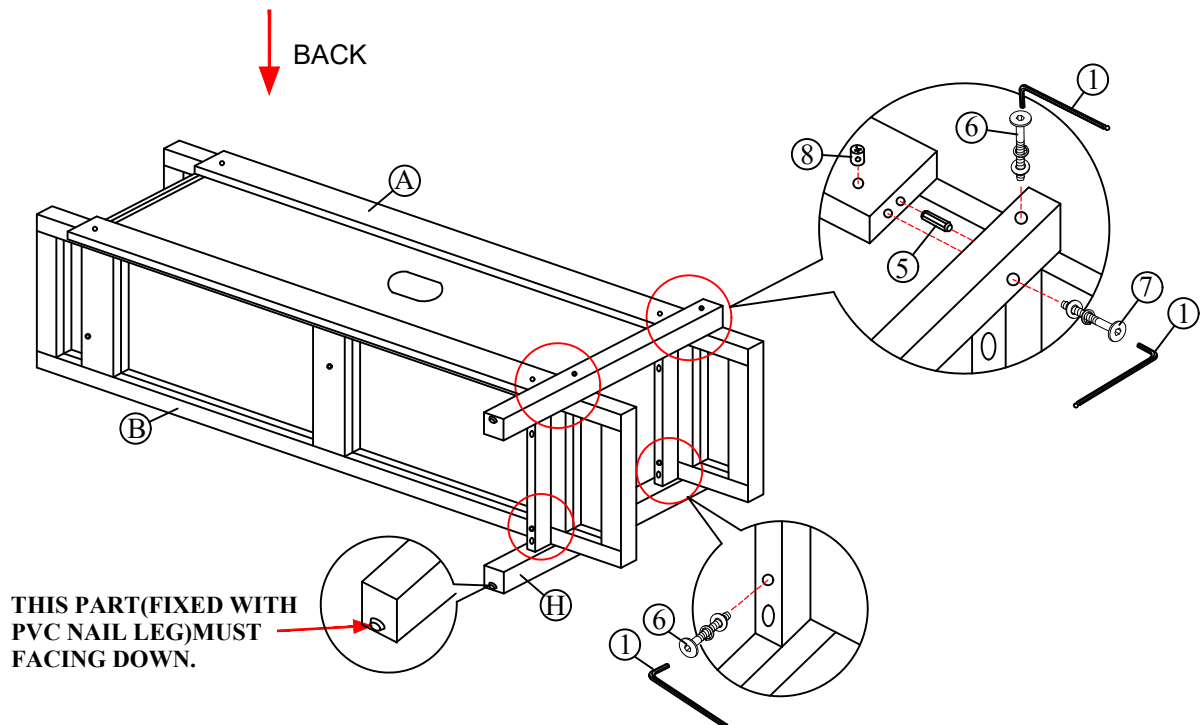
# ASSEMBLY INSTRUCTIONS

ITEM NO : B8100 - 9  
TACOMA TV STAND

## STEP 7



## STEP 8



THE HARDWARE IS LOCATED IN THE PACKING ITEMS

NOTE : MUST TIGHTEN SCREWS PERIODICALLY. WITH USE SCREW MAY BECOME LOOSE.  
CHECK TIGHTNESS OF ALL SCREW EVERY 6-8 WEEKS.

### CLEANING INSTRUCTION

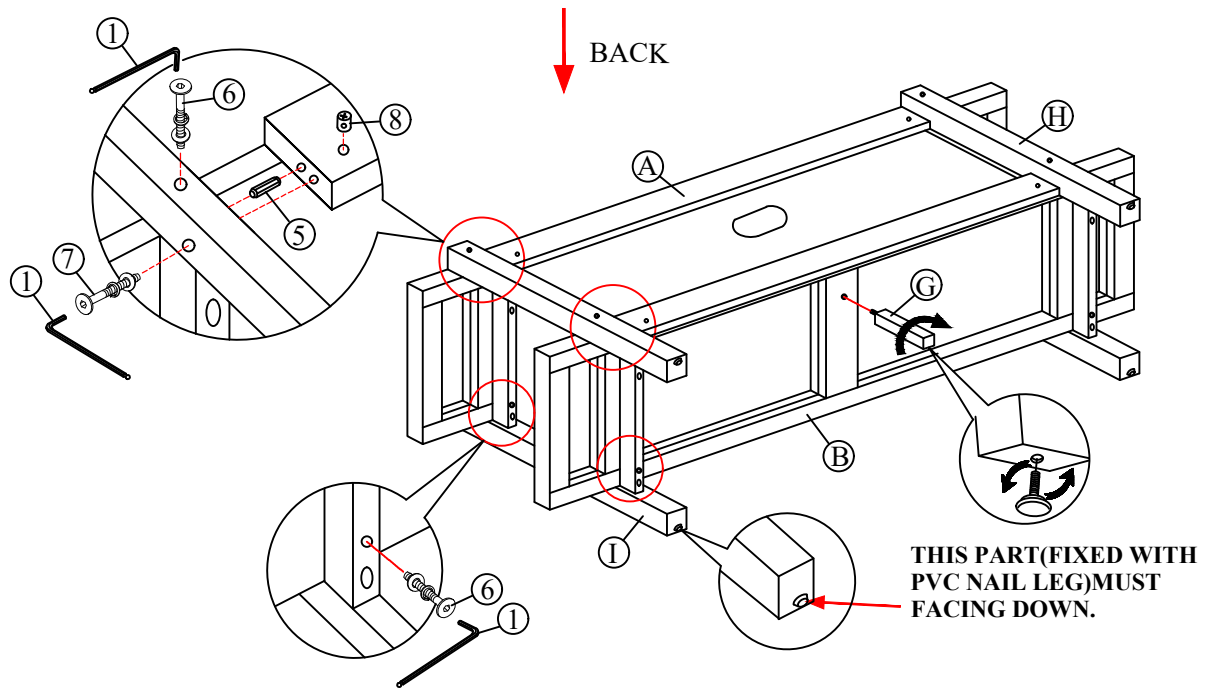
After assembly, clean & polish the completed parts if necessary with soft cloth and industrial recognized furniture polish

MADE IN MALAYSIA

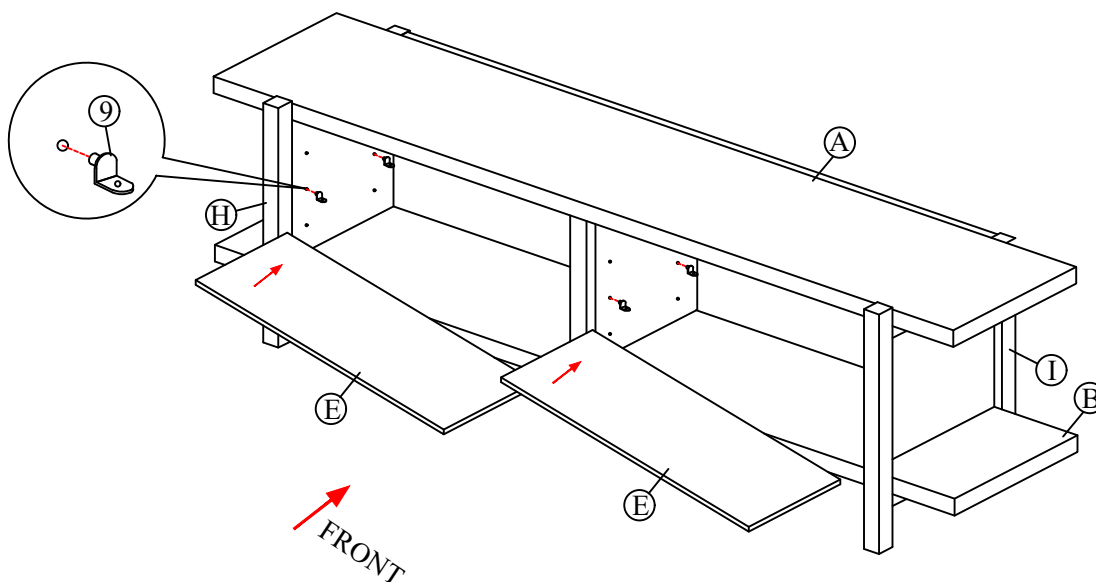
# ASSEMBLY INSTRUCTIONS

ITEM NO : B8100 - 9  
TACOMA TV STAND

## STEP 9



## STEP 10



THE HARDWARE IS LOCATED IN THE PACKING ITEMS

NOTE : MUST TIGHTEN SCREWS PERIODICALLY. WITH USE SCREW MAY BECOME LOOSE.  
CHECK TIGHTNESS OF ALL SCREW EVERY 6-8 WEEKS.

### CLEANING INSTRUCTION

After assembly, clean & polish the completed parts if necessary with soft cloth and industrial recognized furniture polish

MADE IN MALAYSIA