

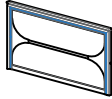
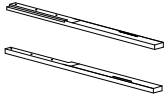
ASSEMBLY INSTRUCTION

ITEM NUMBER : B7400-Q-HB




DESCRIPTION : QUEEN LED HEADBOARD

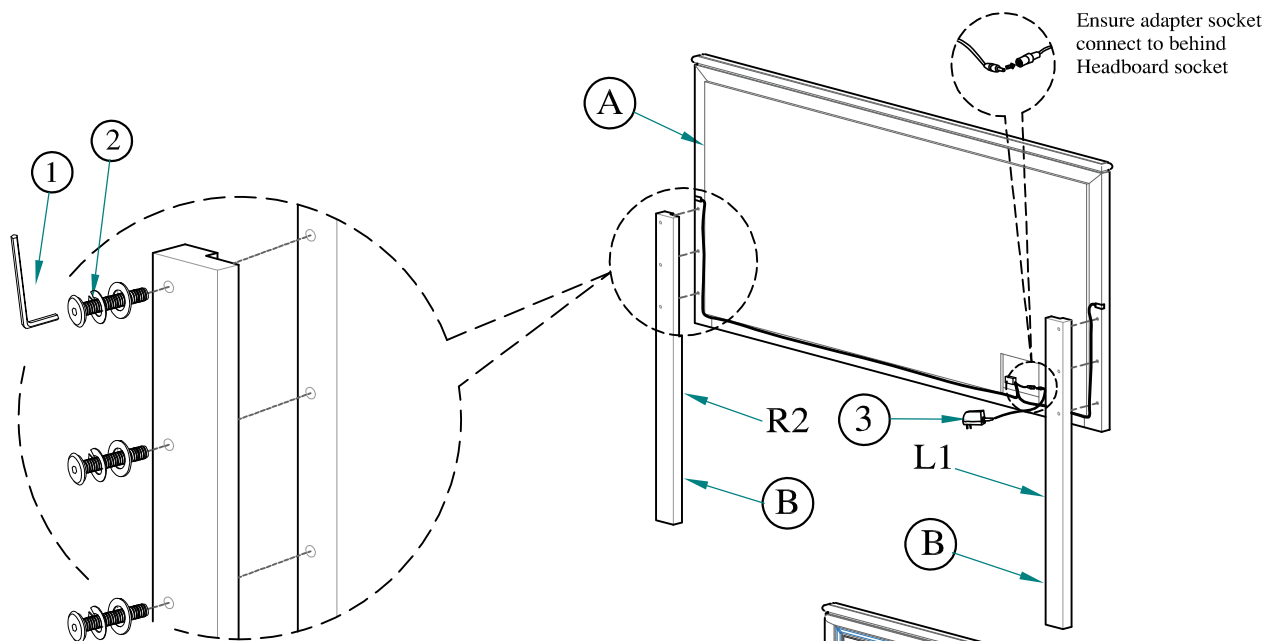
Thank you for purchasing this quality product. Be sure to check all packing material carefully for small parts which may have loose inside the carton during shipment. Identify and count all parts and compare with the parts list below.

**(BOX 1)
PART LIST#**

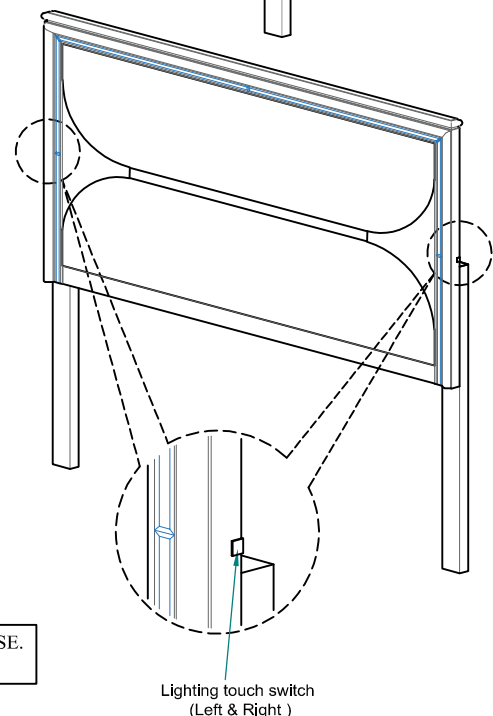
NO	NAME	PART	QTY
A	Headboard		1pc
B	Headboard Post - (L/R)		2pcs

**(BOX 1)
HARDWARE LIST#**

NO	NAME	PART	QTY
1	Allen key		1pc
2	JCBC 35mm		6pcs
3	AC/DC Adapter		1pc



Step 1: Attach the (B) Headboard post to the (A) Headboard using (2) JCBC 35mm. Tighten the JCBC with (1) Allen key.



THE HARDWARE IS LOCATED IN THE PACKING ITEM

NOTE : MUST TIGHTEN SCREW PERIODICALLY. WITH USE SCREW MAY BECOME LOOSE. CHECK TIGHTNESS OF ALL SCREW EVERY 6-8 WEEKS.

CLEANING INSTRUCTION

After assembly , clean & polish the completed parts if necessary with softcloth and industrial recognized furniture polish