





ASSEMBLY INSTRUCTIONS

B6980 / B6982-2

ATTICUS NIGHT STAND

CRWN

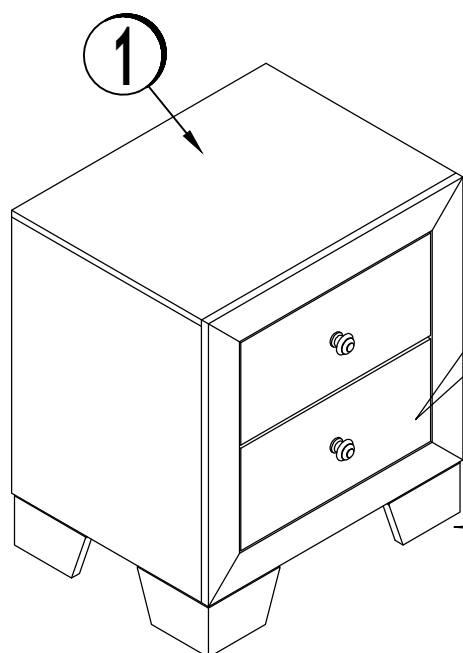
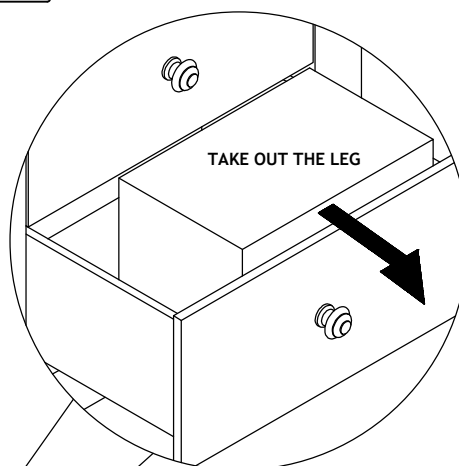
(BOX 1) - BOX OF NIGHT STAND

PARTS LIST				HARDWARE LIST			
NO.	DESCRIPTION	SKETCH	QTY	NO.	DESCRIPTION	SKETCH	QTY
1	NIGHT STAND		1	A	JCBC (M6 x 35mm) W/FLAT WASHER & SPRING WASHER		8
2	LEG		4	B	ALLEN KEY (M4)		1

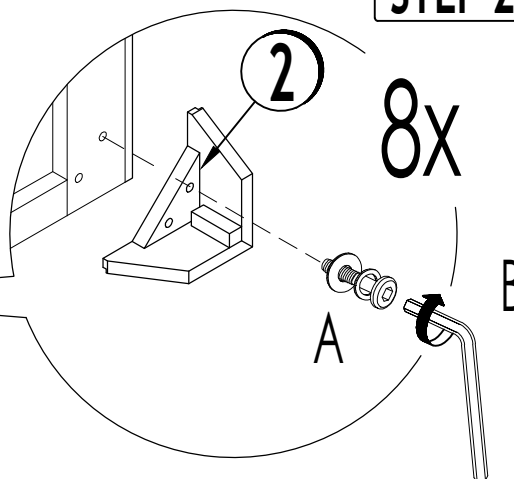
IMPORTANT NOTE :

- * Place all wooden parts on a clean and smooth surface such as a rug or carpet to avoid the parts from being scratched.
- * Check to be sure that you have all parts and hardware.
- * Remove all wrapping materials, including staples & packing straps before you start to assemble.
- * Do not tighten all screws/bolts until all completely assembled.
- * Keep all hardware parts out of reach of children.

STEP 1



STEP 2



THE ANTI TIPPING HARDWARE IS LOCATED AT THE TOP DRAWER OF NIGHTSTAND

THE HARDWARE IS LOCATED IN THE PACKING ITEMS