

ASSEMBLY INSTRUCTIONS

B6980 / B6982-K-BED

ATTICUS KING BED

CRWN

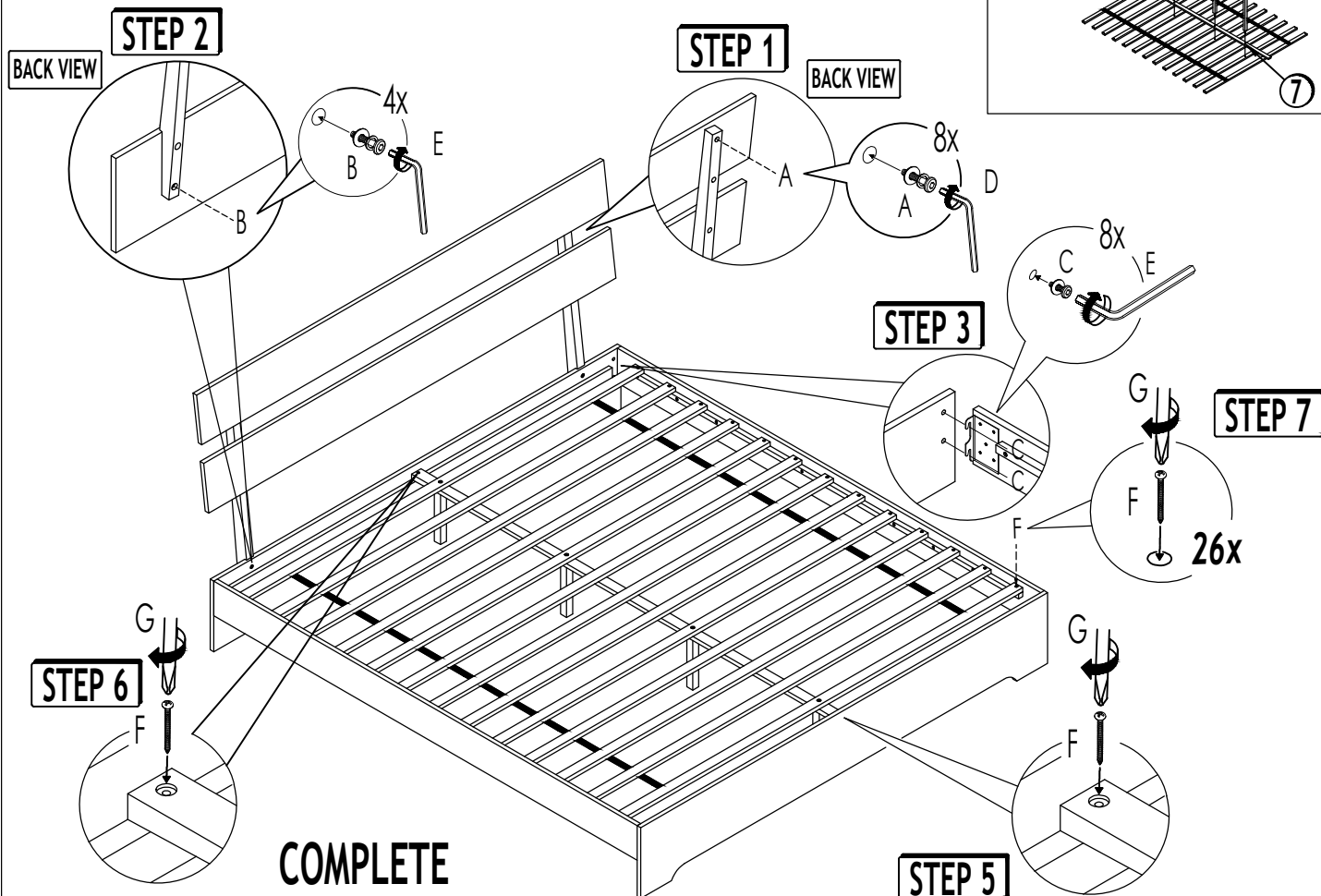
(BOX 1) - BOX OF KING BED

PARTS LIST				HARDWARE LIST			
NO.	DESCRIPTION	SKETCH	QTY	NO.	DESCRIPTION	SKETCH	QTY
1	HEADBOARD PANEL		2	A	JCBB (M6 x 35mm) W/FLAT WASHER & SPRING WASHER		8
2	HEADBOARD LEG		2	B	JCBB (M8 x 40mm) W/FLAT WASHER & SPRING WASHER		4
3	HEADBOARD RAIL		1	C	JCBB (M8 x 16mm) W/FLAT WASHER		8
4	FOOTBOARD RAIL		1	D	ALLEN KEY (M4)		1
5	SIDE RAIL		2	E	ALLEN KEY (M5)		1
6	SLATS ROLL		1	F	PH. RATTAN SCREW (M4 x 25mm)		28
7	CENTER RAIL		1	G	SCREW DRIVER (*)		1
8	VERTICAL LEG		4				

*The manufacturer does not provide item G.

IMPORTANT NOTE :

- * Place all wooden parts on a clean and smooth surface such as a rug or carpet to avoid the parts from being scratched.
- * Check to be sure that you have all parts and hardware.
- * Remove all wrapping materials, including staples & packing straps before you start to assemble.
- * Do not tighten all screws/bolts until all completely assembled.
- * Keep all hardware parts out of reach of children.



THE HARDWARE IS LOCATED IN THE PACKING ITEMS