
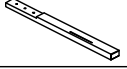
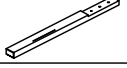

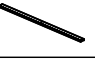
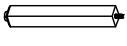


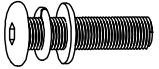
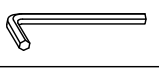
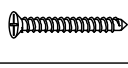
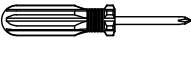
# ASSEMBLY INSTRUCTION

MODEL NO: B6700-F-HBFB & B6700-FT-RAIL  
B6710-F-HBFB & B6710-FT-RAIL  
FOR HEADBOARD, FOOTBOARD & SIDE RAIL

**(BOX 1)**  
**BOX OF HEADBOARD & FOOTBOARD**

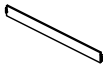
ITEM	DRAWING	DESCRIPTION	QTY
A		HEADBOARD PANEL	1
B		LEFT HEADBOARD LEG	1
C		RIGHT HEADBOARD LEG	1
D		FOOTBOARD	1
E		WOODEN SLAT	4
F		WOODEN SUPPORT	4

**(BOX 1)**  
**HARDWARE LIST**

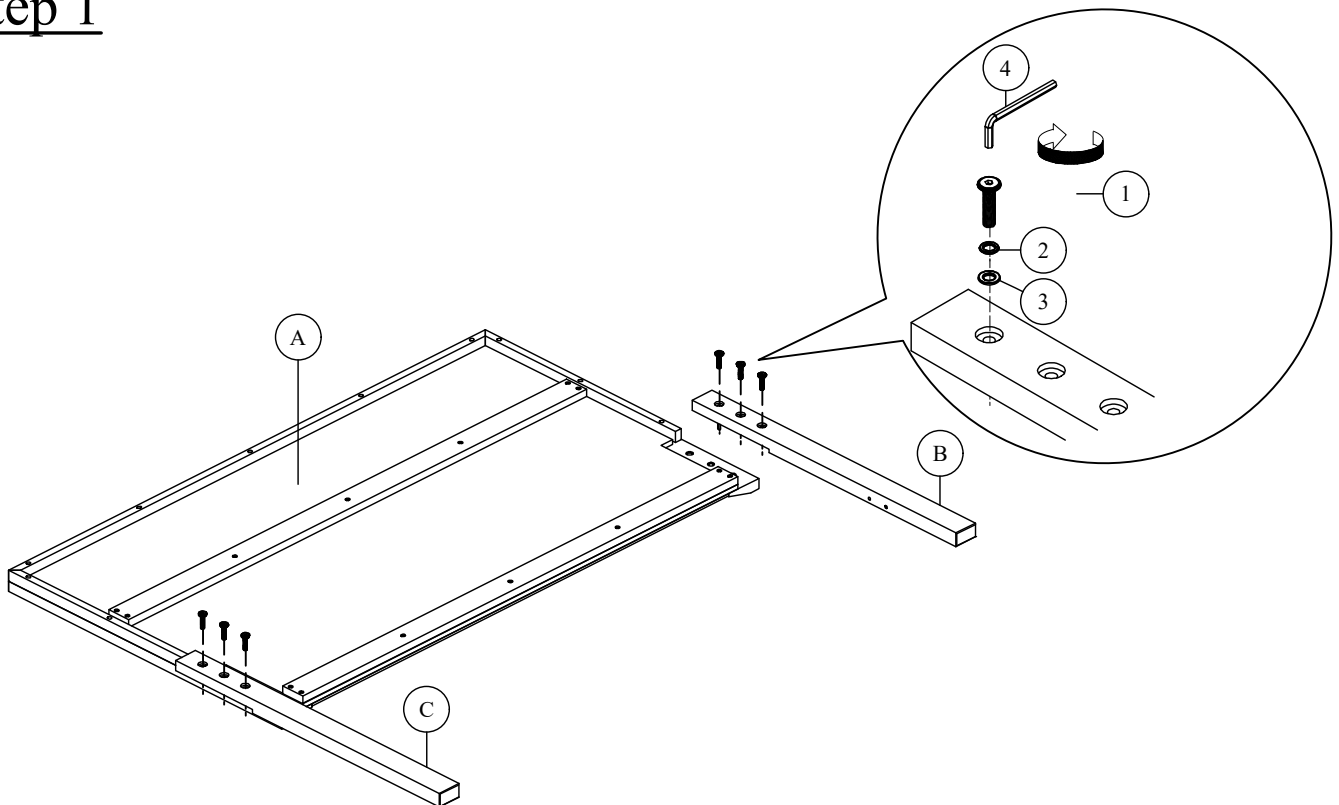
ITEM	DRAWING	DESCRIPTION	QTY
1		JCBC M8 x 35mm With Spring Washer With Flat Washer	6
2		ALLEN KEY (M5)	1
3		CSK SCREW (M4 x 32mm)	8
4		SCREW DRIVER (*)	1

The manufacturer does not provide item 6.

**(BOX 2)**  
**BOX OF SIDE RAIL**

ITEM	DRAWING	DESCRIPTION	QTY
G		SIDE RAIL	2

## Step 1



**THE HARDWARE IS LOCATED IN THE PACKING ITEMS**

NOTE : MUST TIGHTEN SCREWS PERIODICALLY. WITH USE SCREWS MAY LOOSE.  
CHECK TIGHTNESS OF ALL SCREWS VERY 6-8 WEEKS.

**CLEANING INSTRUCTION**

After assembled, clean & polish the completed parts if necessary with soft cloth and industrial recognized furniture polish

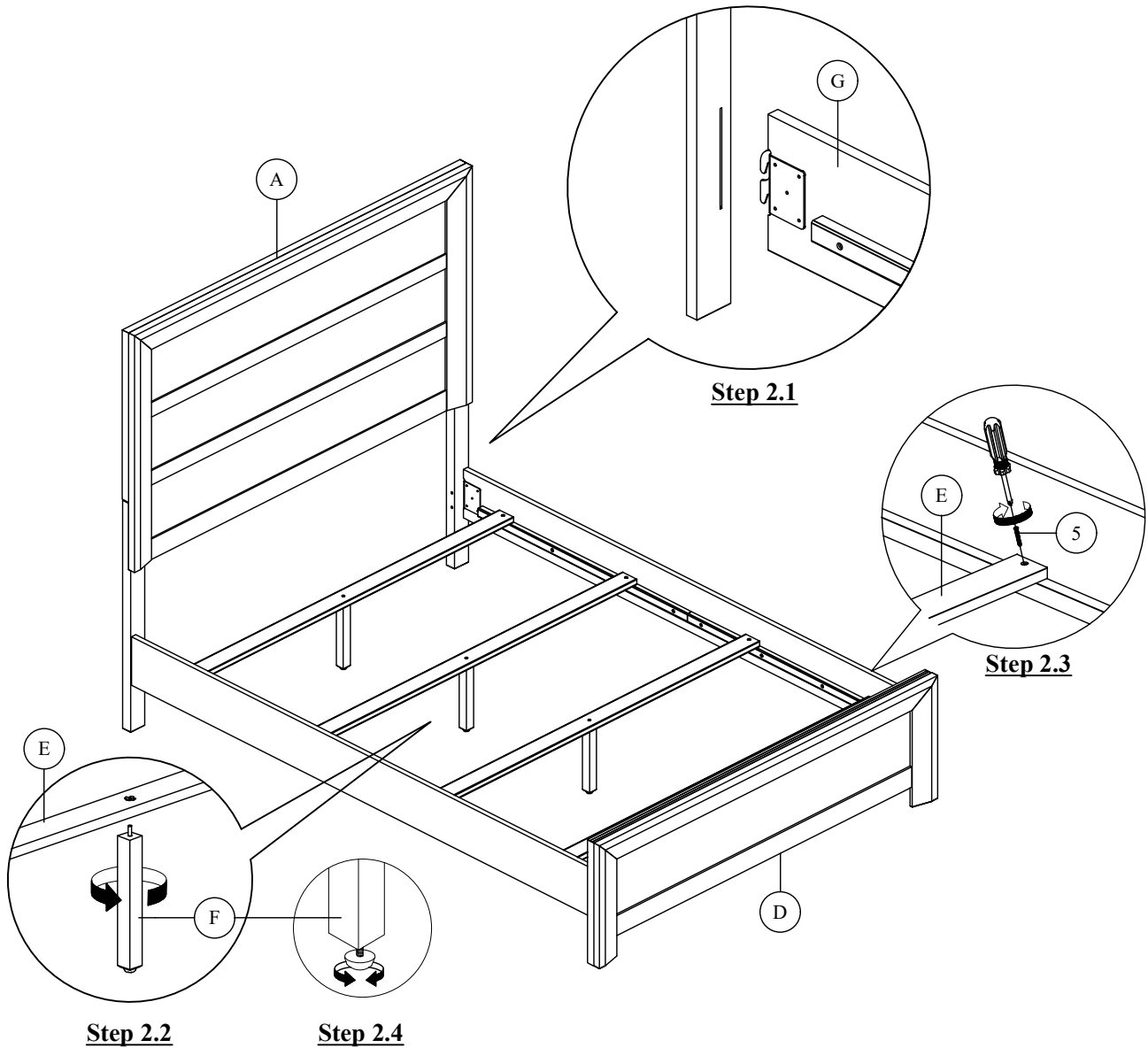
MADE IN MALAYSIA

FULL BED K/D

# ASSEMBLY INSTRUCTION

MODEL NO: B6700-F-HBFB & B6700-FT-RAIL  
B6710-F-HBFB & B6710-FT-RAIL  
FOR HEADBOARD, FOOTBOARD & SIDE RAIL

## Step 2



**THE HARDWARE IS LOCATED IN THE PACKING ITEMS**

NOTE : MUST TIGHTEN SCREWS PERIODICALLY. WITH USE SCREWS MAY LOOSE.  
CHECK TIGHTNESS OF ALL SCREWS VERY 6-8 WEEKS.

### CLEANING INSTRUCTION

After assembled, clean & polish the completed parts if necessary with soft cloth and industrial recognized furniture polish

MADE IN MALAYSIA

FULL BED K/D