

ASSEMBLY INSTRUCTIONS

CROWN MARK (CRWN)

MODEL : B6560-Q-FBD /B6560-KQ-RAIL QUEEN STORAGE BED

THANK YOU FOR PURCHASING THIS QUALITY PRODUCT. BE SURE TO CHECK ALL PACKING MATERIAL CAREFULLY FOR SMALL PARTS WHICH MAY HAVE COME LOOSE INSIDE THE CARTON DURING SHIPMENT. IDENTIFY AND COUNT ALL PARTS AND COMPARE WITH HARDWARE LIST AS BELOW :

(BOX 1) BOX OF HEAD BOARD			
ITEM	DRAWING	DESCRIPTION	QTY
A		HEAD BOARD	1

(BOX 2) BOX OF FOOT BOARD DRAWER			
ITEM	DRAWING	DESCRIPTION	QTY
B		FOOT BOARD	1
C		FB LEG	2
D		LEG SUPPORT FOR FB	2
E		WOODEN PANEL	5
F		WOODEN SLAT	4
G		SLATS SUPPORT	4

(BOX 3) BOX OF SIDE RAILS			
ITEM	DRAWING	DESCRIPTION	QTY
H		SIDE RAIL (L&R)	2

(BOX 2) BOX OF FOOT BOARD DRAWER (HARDWARE LIST)				
ITEM	DRAWING	DESCRIPTION	DIMENSION	QTY
I		C.S.K SCREW (M4)	4 X 32MM	8
J		C.S.K SCREW (M3.5)	3.5 X 20MM	20
K		ALLEN KEY M4	4 x 55MM	1
L		CONNECTION BOLT (M6x100mm) W/SPRING WASHER & WASHER MEDIUM		2

Screw Driver is not included

 Hammer is not included

COMPLETED ASSEMBLY

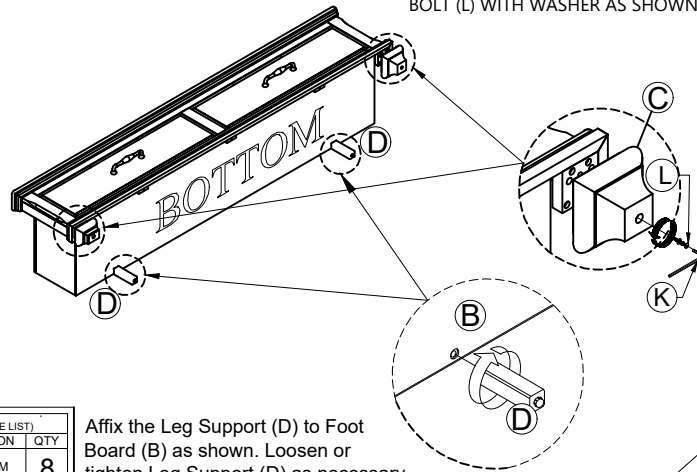
THE HARDWARE IS LOCATED IN THE PACKING ITEMS

NOTE: MUST TIGHTEN SCREW PERIODICALLY. WITH USE SCREWS WILL BECOME LOOSE CHECK TIGHT OF ALL SCREWS EVERY 6-8 WEEKS.

CLEANING INSTRUCTION

After assembled, clean & polish the complete parts if necessary with soft cloth and industrial recognized furniture polish.

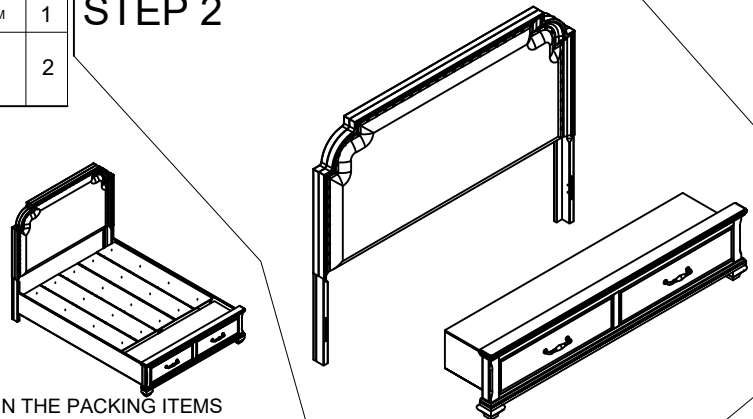
STEP 1



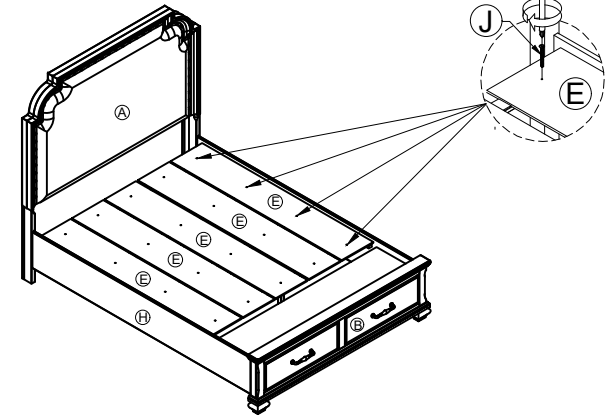
STEP 1 : ATTACH AND TIGHTEN THE FOOTBOARD BOTTOM LEG (C) TO THE BOTTOM FRAME AND INSERT CONNECTION BOLT (L) WITH WASHER AS SHOWN.

Affix the Leg Support (D) to Foot Board (B) as shown. Loosen or tighten Leg Support (D) as necessary to level the bed.

STEP 2

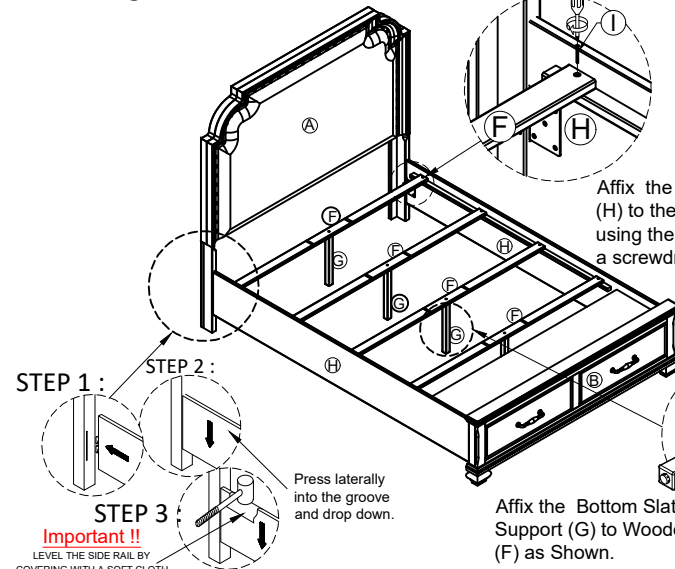


STEP 4



Affix the Wooden Slat (F) to the Wooden Panel (E) using the CSK screw (J) and a screwdriver.

STEP 3

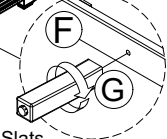


STEP 5 :



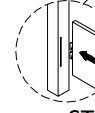
Affix the Side Rail (L&R) (H) to the Wooden Slat (F) using the CSK screw (I) and a screwdriver.

STEP 4 :



Affix the Bottom Slats Support (G) to Wooden Slat (F) as Shown.

STEP 1 :



STEP 3 :

Important !!
 LEVEL THE SIDE RAIL BY COVERING WITH A SOFT CLOTH AND TAPPING WITH A HAMMER.

Press laterally into the groove and drop down.

MADE IN MALAYSIA