



# ASSEMBLY INSTRUCTIONS




## CROWN MARK (CRWN)

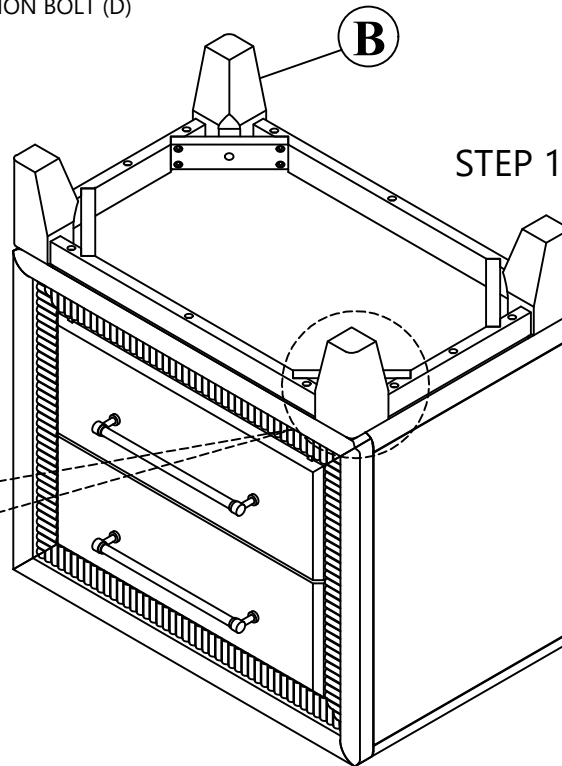
### MODEL: B6540-2 NIGHT STAND

THANK YOU FOR PURCHASING THIS QUALITY PRODUCT. BE SURE TO CHECK ALL PACKING MATERIAL CAREFULLY FOR SMALL PARTS WHICH MAY HAVE COME LOOSE INSIDE THE CARTON DURING SHIPMENT. IDENTIFY AND COUNT ALL PARTS AND COMPARE WITH HARDWARE LIST AS BELOW:

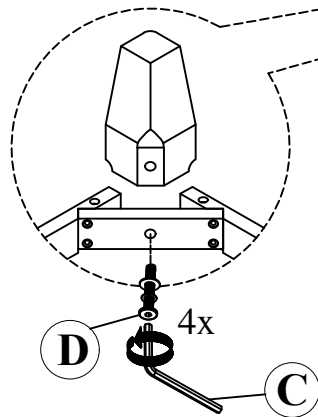
(BOX 1) BOX OF NIGHT STAND			
ITEM	DRAWING	DESCRIPTION	QTY
A		NIGHT STAND	1
B		BOTTOM LEG	4

STEP 1 : ATTACH AND TIGHTEN THE NIGHT STAND BOTTOM LEG (B) TO THE BOTTOM FRAME AND INSERT CONNECTION BOLT (D) WITH WASHER AS SHOWN.

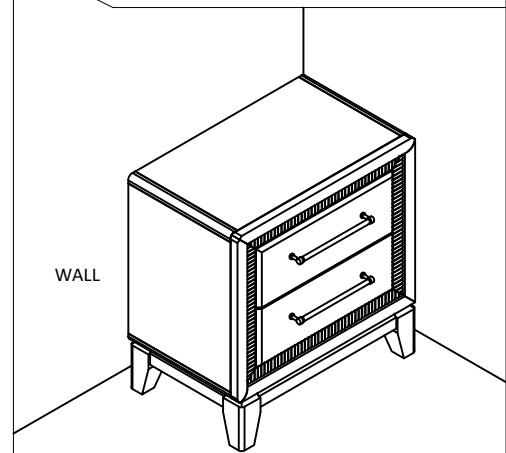
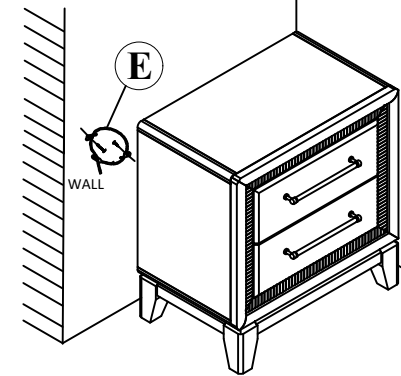
(BOX 1) BOX OF NIGHT STAND (HARDWARE LIST)				
ITEM	DRAWING	DESCRIPTION	DIMENSION	QTY
C		ALLEN KEY M4	M4x55MM	1
D		CONNECTION BOLT (M6x60mm) W/SPRING WASHER & WASHER MEDIUM		4
E		ANTI TIPPING RESTRAINT (LOCATION IN NIGHTSTAND TOP DRAWER)		1



STEP 1:



STEP 2 : Move the Night Stand (A) into final position and use tipping restraint (E) attach to wall



COMPLETED ASSEMBLY

MADE IN MALAYSIA

NOTE: MUST TIGHTEN SCREW PERIODICALLY. WITH USE SCREWS WILL BECOME LOOSE CHECK TIGHT OF ALL SCREWS EVERY 6-8 WEEKS.  
CLEANING INSTRUCTION  
After assembled, clean & polish the complete parts if necessary with soft cloth and industrial recognized furniture polish.

THE ANTI TIPPING HARDWARE IS LOCATED IN THE NIGHT STAND 1ST DRAWER  
THE HARDWARE IS LOCATED IN THE PACKING ITEMS