


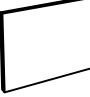



# ASSEMBLY INSTRUCTIONS

**CROWNMARK**  
**MODEL: B4851BK/B4851WH-91**  
**BASE & TOP**  
**DRESSING TABLE**


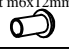
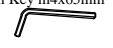


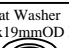
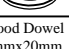


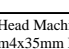
**(Box 1)**  
 BOX OF DRESSING TABLE

No	ITEM	Qty
A	Center Drawer Dressing Table 	1 pc
B	Dressing Side Panel (L) 	1 pc
C	Side Drawer Dressing Table (R) 	1 pc
D	Dressing Table Back Panel 	1 pc

**(Box 2)**  
 BOX OF DRESSING TABLE GLASS

No	ITEM	Qty
E	Dressing Table Top Glass 	1 pc

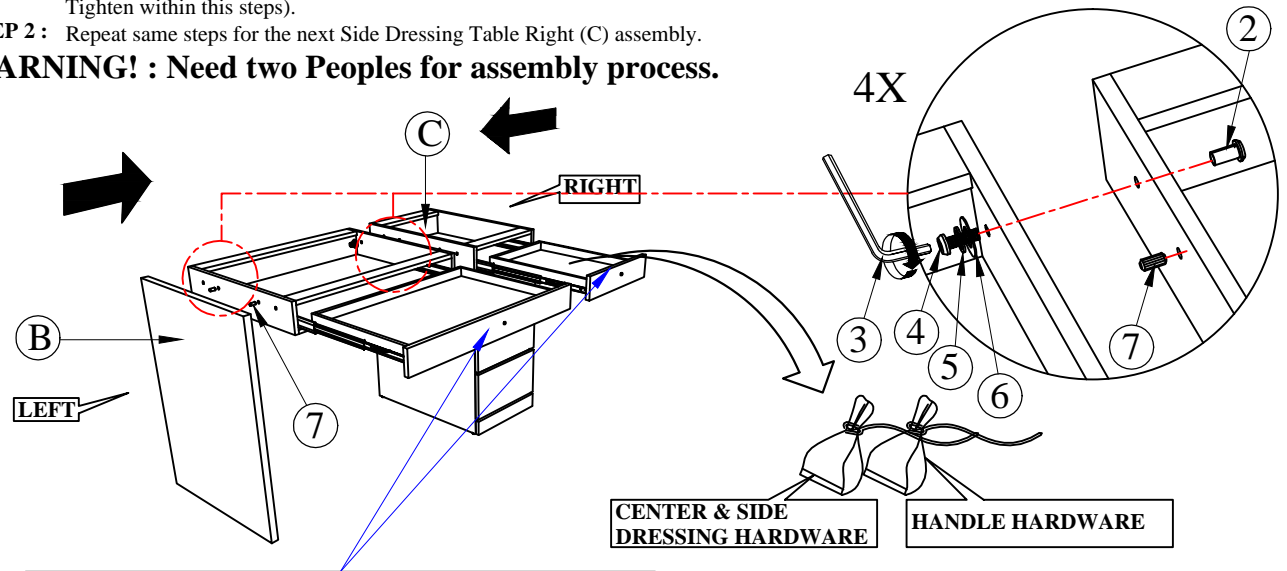
**(Box 1)**  
 HARDWARE LIST(DRESSING TABLE)

No	ITEM	Qty
1	Flat Head Chipboard Screw m4x25mm Rbw 	7 pcs
2	JCN Nut m6x12mm Rbw 	2 pcs
3	Allen Key m4x65mm Blk 	1 pc
4	JCBC Bolt m6x30mm Blk 	4 pcs
5	Spring Washer 1/4" Rbw 	4 pcs
6	Flat Washer 1/4"IDx19mmOD Blk 	4 pcs
7	Wood Dowel 8mmx20mm 	4 pcs
8	Handle(Top Drawer Only) 	2 pcs
9	Truss Head Machine Screw m4x35mm Blk 	2 pcs
10	Door Bubble D7mmx1.5mm Transparent 	9 pcs

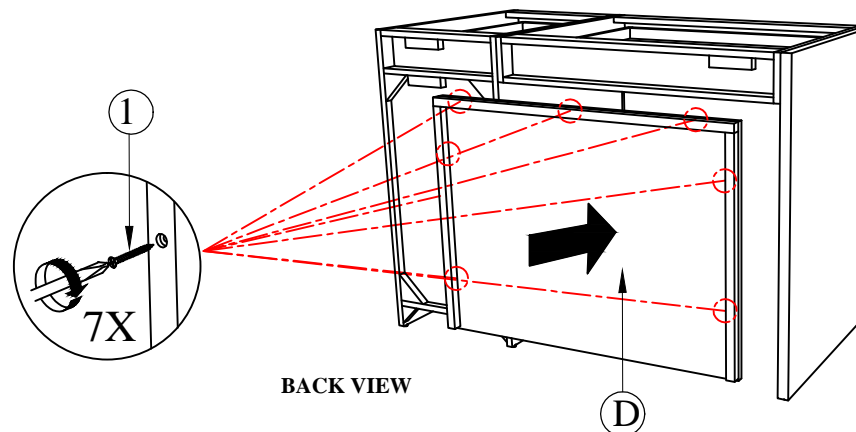
**STEP 1 :** Insert dowel (7) to Center Dressing Table (A) as shown and push together Dressing Side Panel Left (B) & Side Drawer Dressing Table Right (C) with JCN Nut (2), JCBC Bolt (4) Spring Washer (5), Flat Washer (6) and tighten them by using Allen key (3). (Please Do Not Fully Tighten within this steps).

**STEP 2 :** Repeat same steps for the next Side Dressing Table Right (C) assembly.

**WARNING! : Need two Peoples for assembly process.**

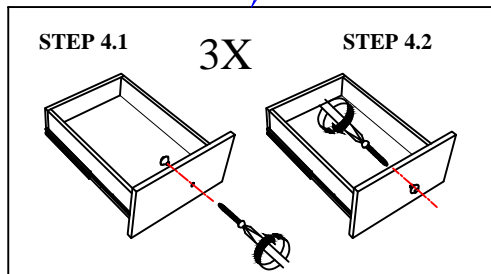
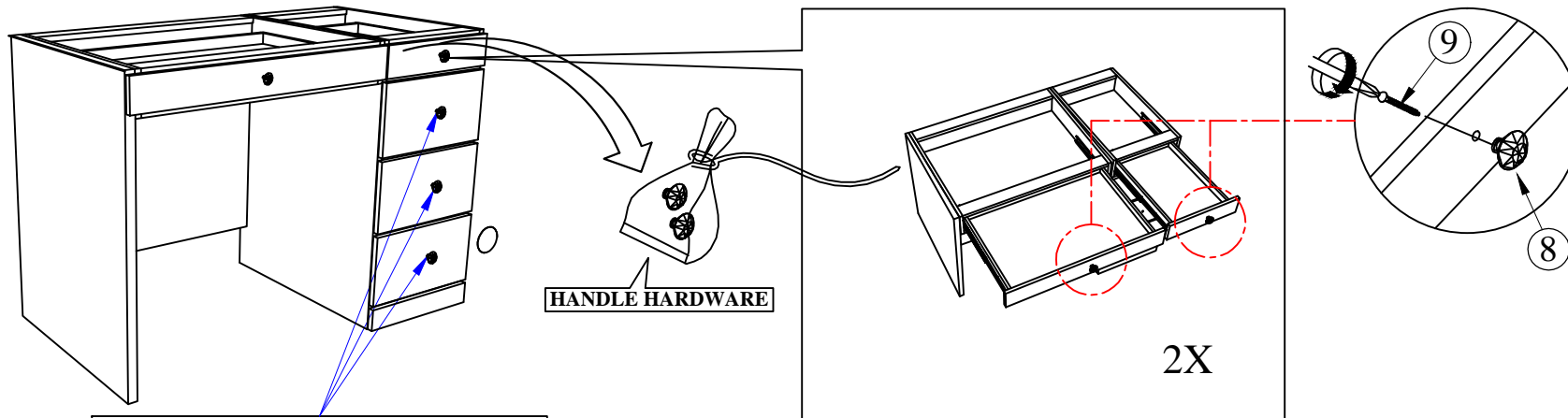


**STEP 3 :** Assemble the Dressing Table Back Panel (D) at the back of Dressing Table with CSK Screw (1) and tighten them by using Screw Driver. (NOT PROVIDED)



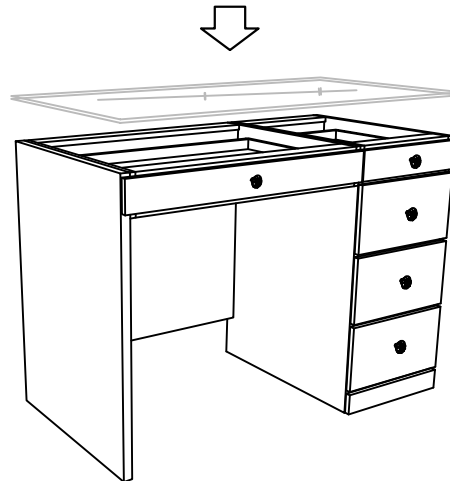
# ASSEMBLY INSTRUCTIONS

**STEP 4 :** Take out the plastic hardware pack from Center Dressing Table (A) and assemble the Handle (8) with handle screw (9) as shown on a diagram.

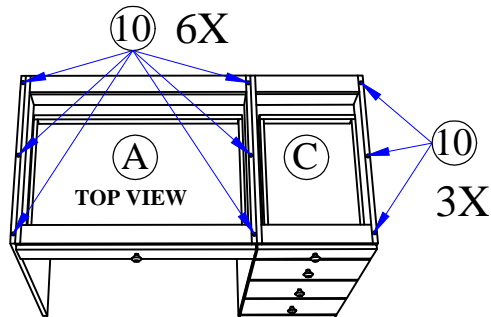


**STEP 6 :** Put the Dressing Top Glass (E) gently on the Door Bubble as shown.

**WARNING! :** Need two Peoples to place the top glass.



**STEP 5 :** Paste Door Bubble Sticker on top of L & R Side Dressing Table and Center Dressing Table as shown.



**COMPLETE ASSEMBLY**