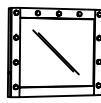
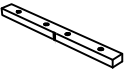



ASSEMBLY INSTRUCTIONS

CROWNMARK
B4851BK-91-BASE+B4850BK-91-11
B4851WH-91-BASE+B4850WH-91-11
VANITY TOP MIRROR W/LED



(Box 1)
 BOX OF MIRROR

No	ITEM	Qty
A	Mirror 	1 pc
B	Mirror Support 	2 pcs

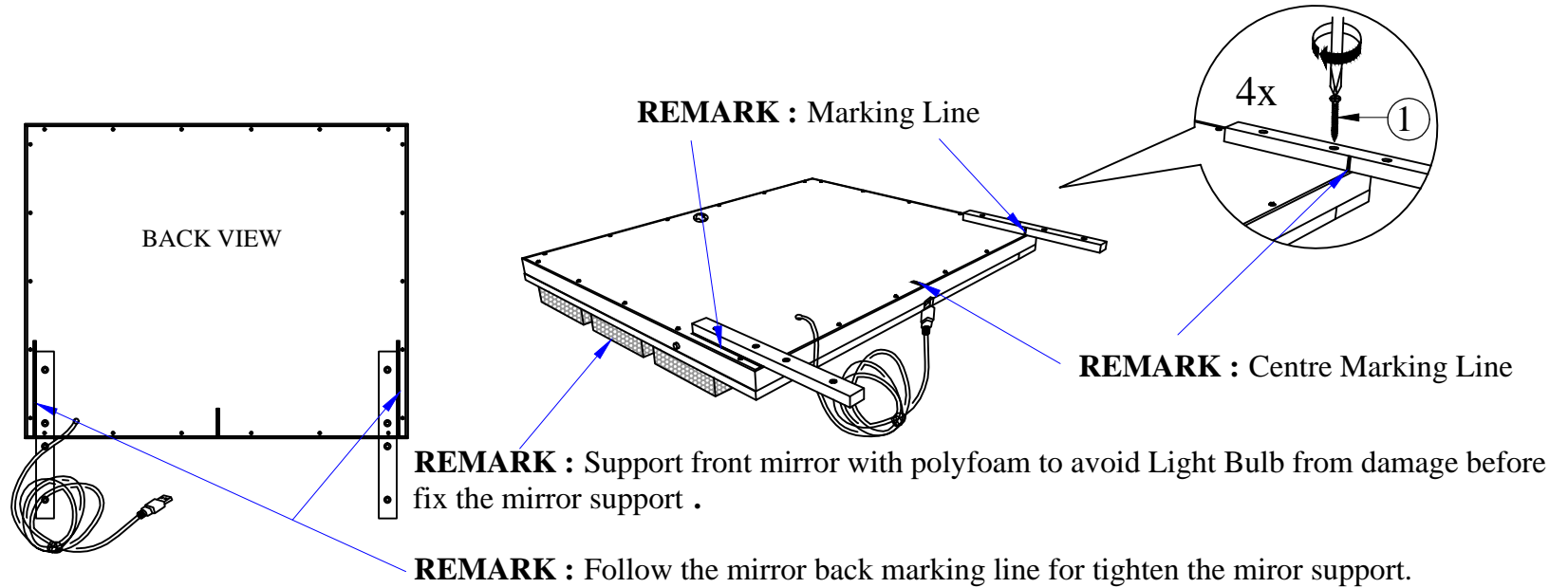
(Box 2)
 BOX OF DRESSING TABLE

No	ITEM	Qty
C	Dressing Table 	1 set

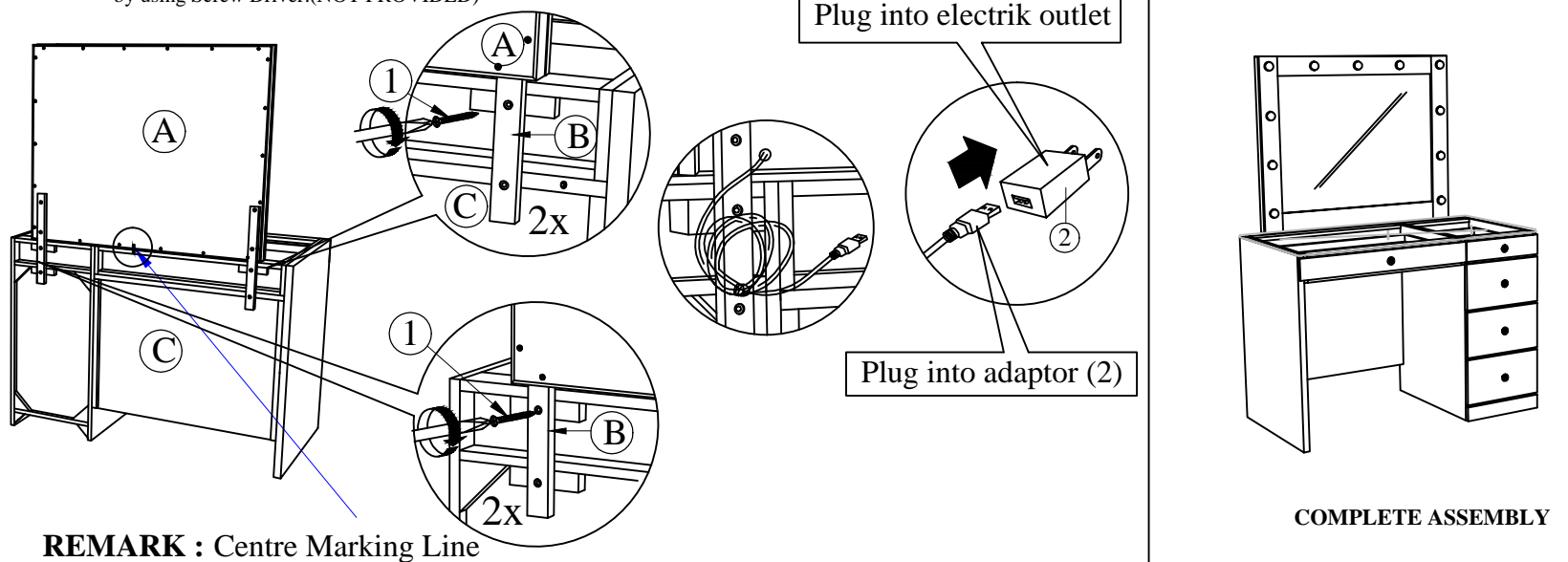
(Box 1)
 HARDWARE LIST

No	ITEM	Qty
1	Flat Head Chipboard Screw m4x32mm Blk 	8 pcs
2	Adaptor 5V2A UL Certificate 	1 pc

STEP 1 : Attach Mirror Support (B) to Mirror Frame(A) as shown,secure with Flat Head Screw(1) and tighten them by using Screw Driver.(NOT PROVIDED) **WARNING! : Need two Peoples for assembly process.**

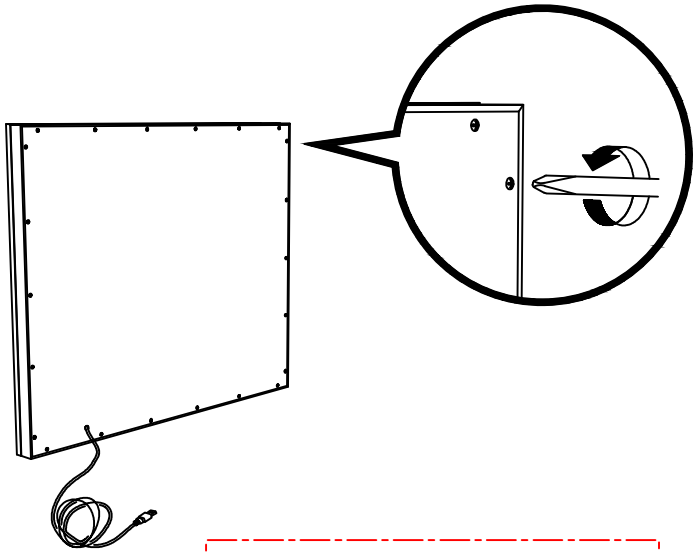


STEP 2 : Place the Mirror (A) on top of Dressing Table by follow the marking line and secure with CSK Screw (1) and tighten them by using Screw Driver.(NOT PROVIDED)

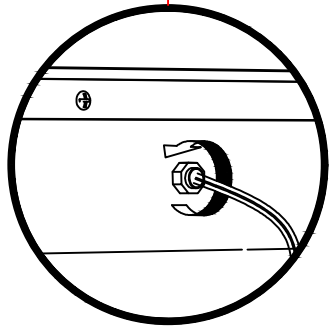
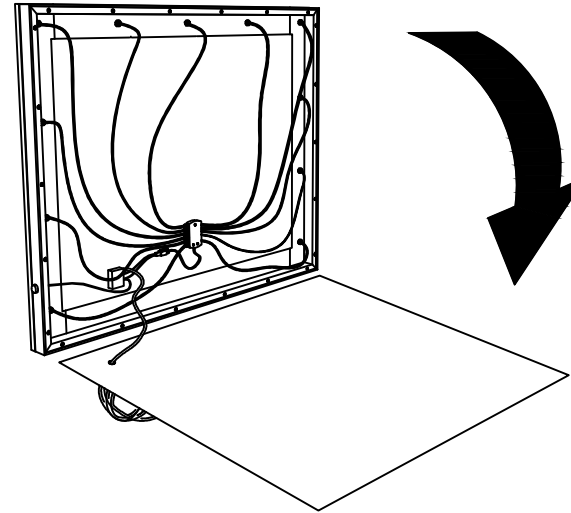


USE FOR REPLACEMENT ONLY

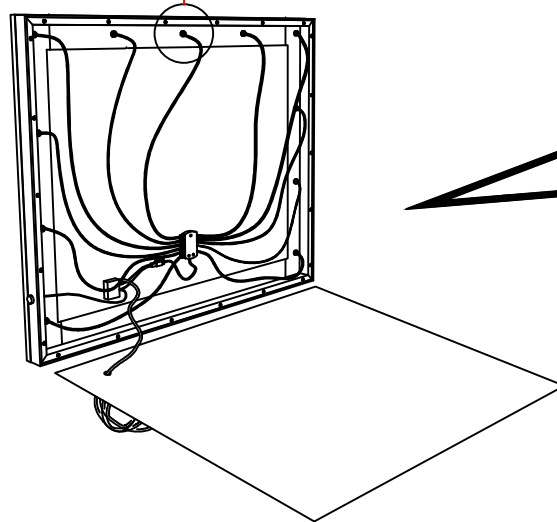
STEP 1 : Untighten the pan head screw at back panel by using screw driver as shown (NOT PROVIDED).



STEP 2 : Put down the back panel as shown. Then Choose the Light Bulb that need to replace.



STEP 3 : Loose the Light Bulb Nut by turning anti-clockwise position to loose the nut as show.

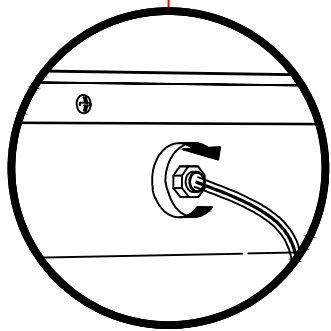
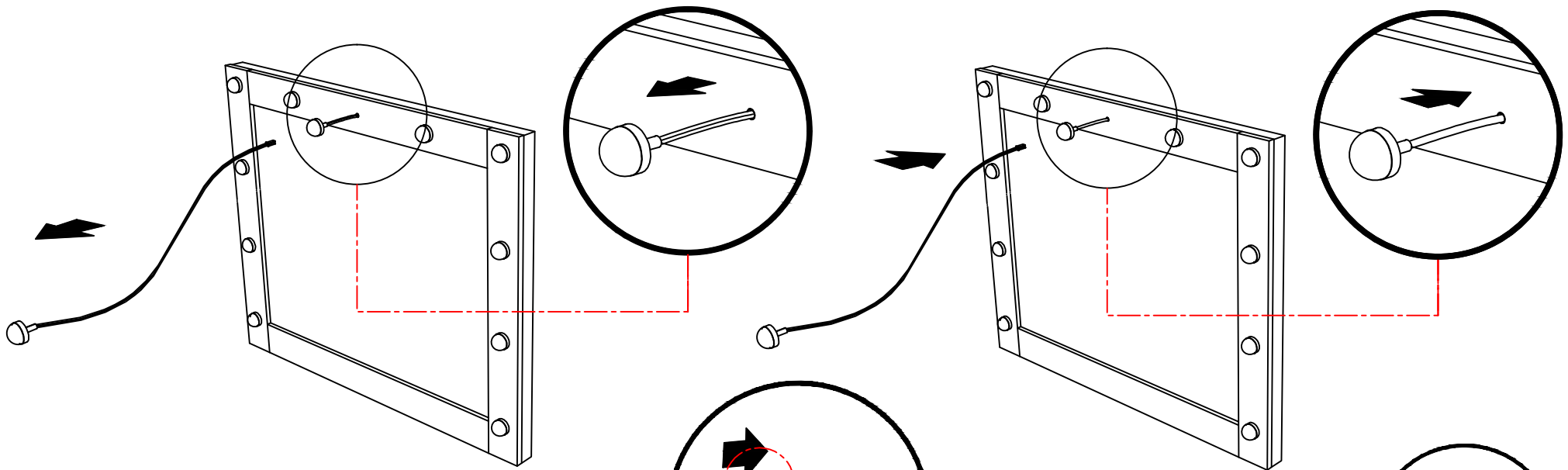


STEP 4 : Gently pull out the selected light connector as shown.

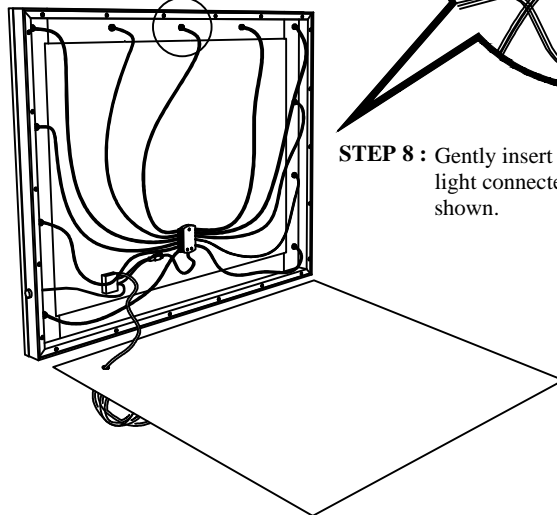
USE FOR REPLACEMENT ONLY

STEP 5 : Carefully pull out the selected light bulb as per diagram shown.

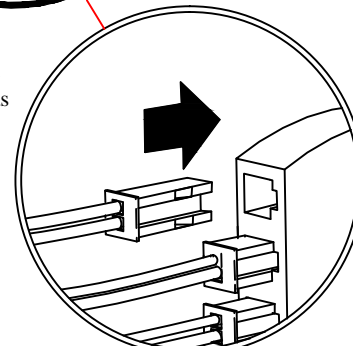
STEP 6 : Carefully put inside the new light bulb as per diagram shown.



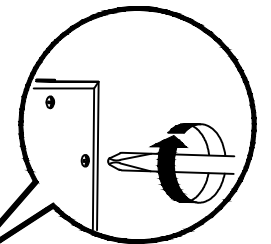
STEP 7 : Assemble the Light Bulb Nut by turning clockwise positions to tighten the nut as show.



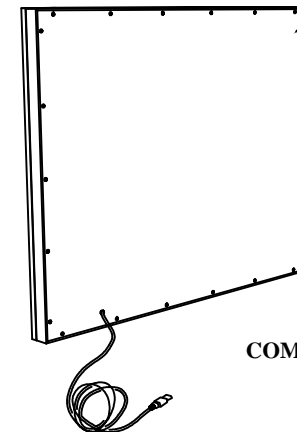
STEP 8 : Gently insert the light connector as shown.



REMARK: BE SURE INSERT IN CORRECT POSITION AS SHOWN TO AVOID LIGHT MILFUNCTION



STEP 1 : Tighten the pan head screw at back panel by using screw driver as shown (NOT PROVIDED).



COMPLETE ASSEMBLY