



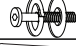

# ASSEMBLY INSTRUCTIONS

## B4780-Q-HB/B4780-Q-FB/B4780-KQ-RAIL QUEEN BED




### (Box 1) HEADBOARD

No.	Description	Drawing	Qty.
A	Headboard		1 Pc
B	Left & Right Headboard Leg		2 Pcs



### (Box 1) HEADBOARD HARDWARE LIST

No.	Description	Drawing	Qty.
1	Bolt(M6x35), Spring Washer, Flat Washer		6 Pcs
2	Allen Key M6		1 Pc


### (Box 2) FOOTBOARD

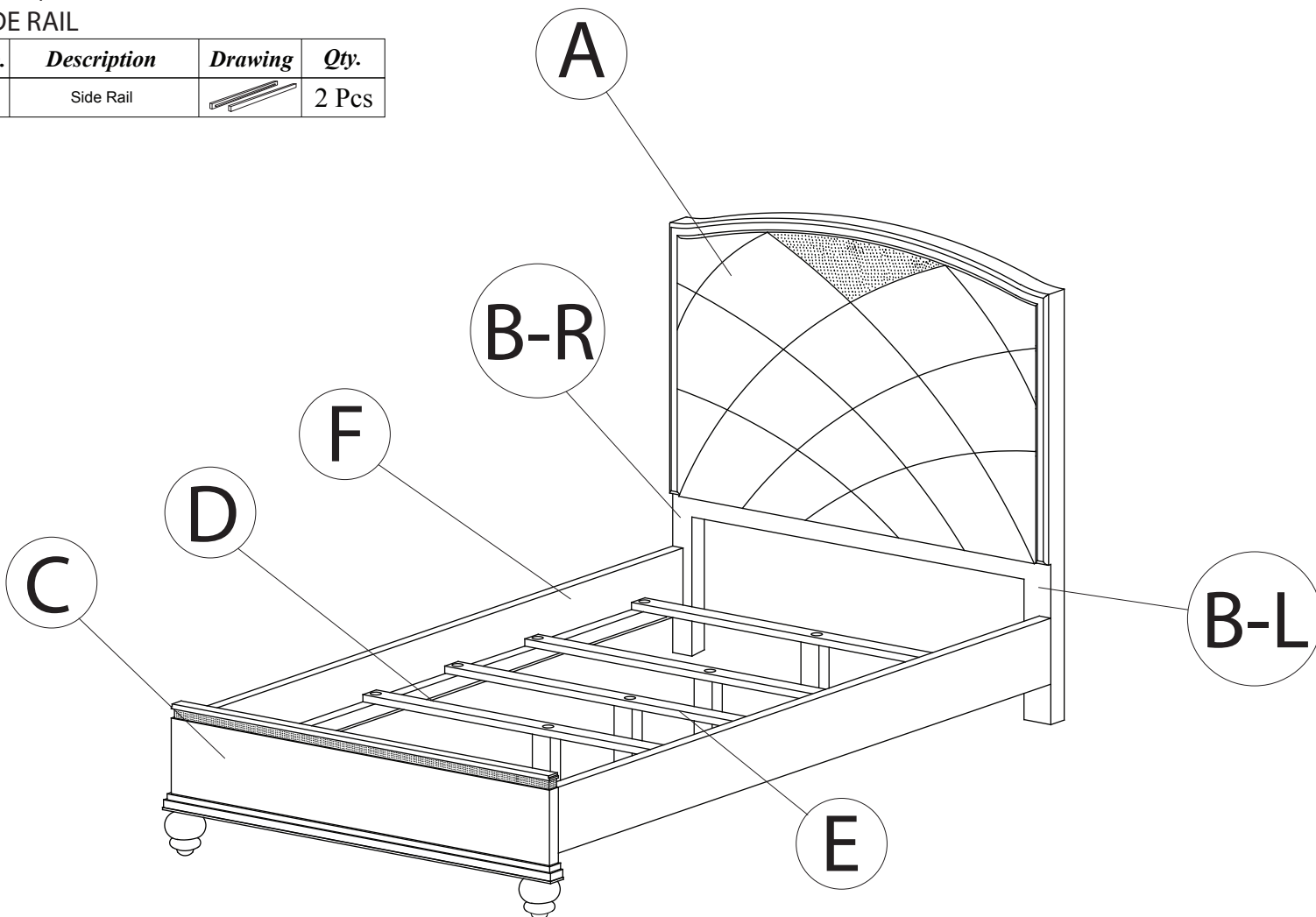
No.	Description	Drawing	Qty.
C	Footboard		1 Pc
D	Wooden Slat		4 Pcs
E	Wooden Support		4 Pcs

### (Box 2) FOOTBOARD HARDWARE LIST

No.	Description	Drawing	Qty.
3	Screw M4x32		8 Pcs
	Philips head srewdriver (not included).		

### (Box 3) SIDE RAIL

No.	Description	Drawing	Qty.
F	Side Rail		2 Pcs



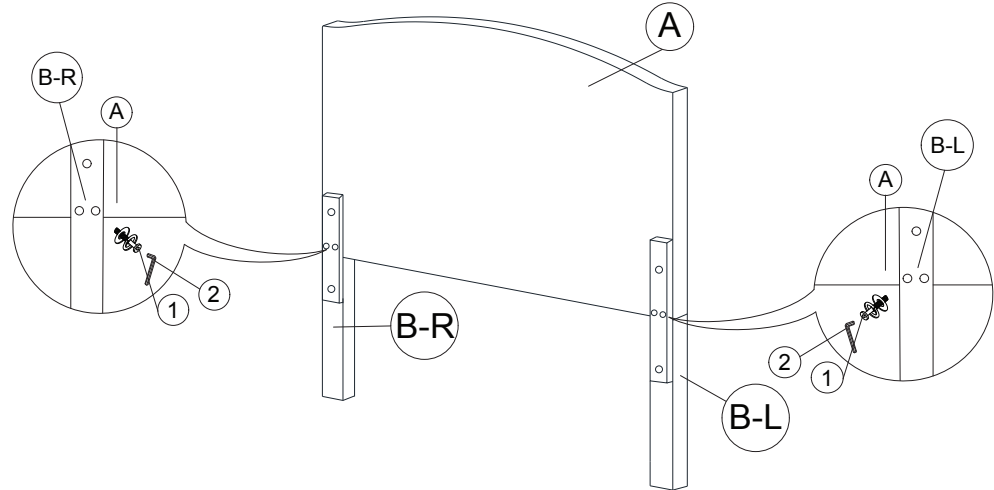
**THE HARDWARE IS LOCATED IN THE PACKING ITEMS.**

# ASSEMBLY INSTRUCTIONS

## B4780-Q-HB/B4780-Q-FB/B4780-KQ-RAIL QUEEN BED

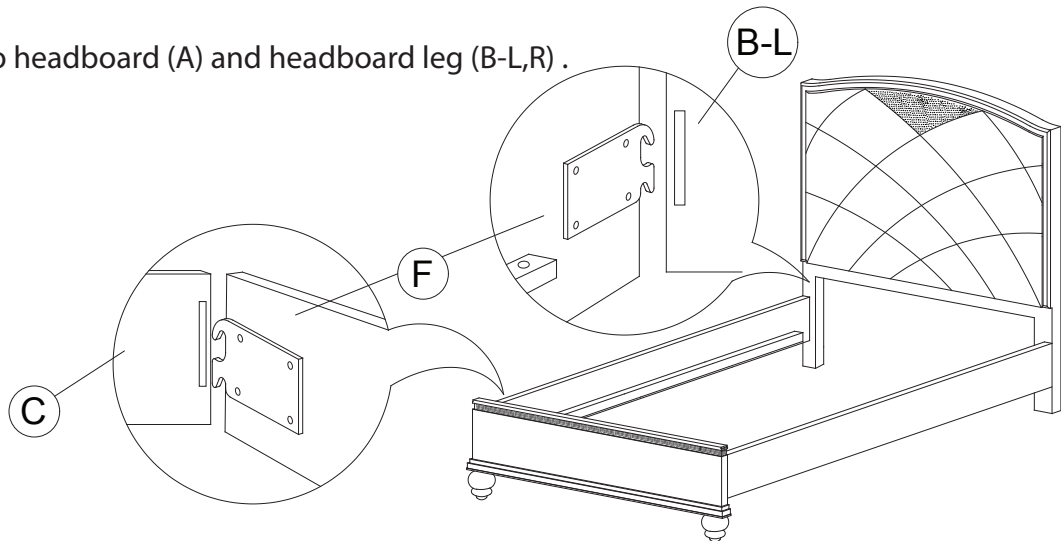
### STEP 1:

Attach headboard (A) & left & right headboard leg (B-L,R) by using bolt M6 x 35(1), spring washer(1), flat washer(1) and tighten by using allen key(2).



### STEP 2:

Assembly side rails (F) to headboard (A) and headboard leg (B-L,R).



### STEP 3:

A. Attach support legs (E) to slats (D). Then put slats rolls on middle of bed.

B. Secure slats with screw (3) by philips head srewdriver (not included).

