


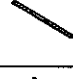




ASSEMBLY INSTRUCTIONS

ITEM NO : B4740-Q-HBFB /
B4740-KQ-RAIL
QUEEN BED






**(BOX 1)
HEADBOARD & FOOTBOARD**

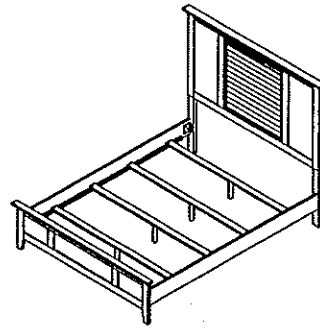
ITEM	DRAWING	DESCRIPTION	QTY
A		HEADBOARD PANEL	1
B		LEFT & RIGHT HEADBOARD LEG	2
C		FOOTBOARD	1
D		WOODEN SLAT	4
E		WOODEN SUPPORT	4

**(BOX 2)
SIDE RAIL**

ITEM	DRAWING	DESCRIPTION	QTY
F		SIDE RAIL	2

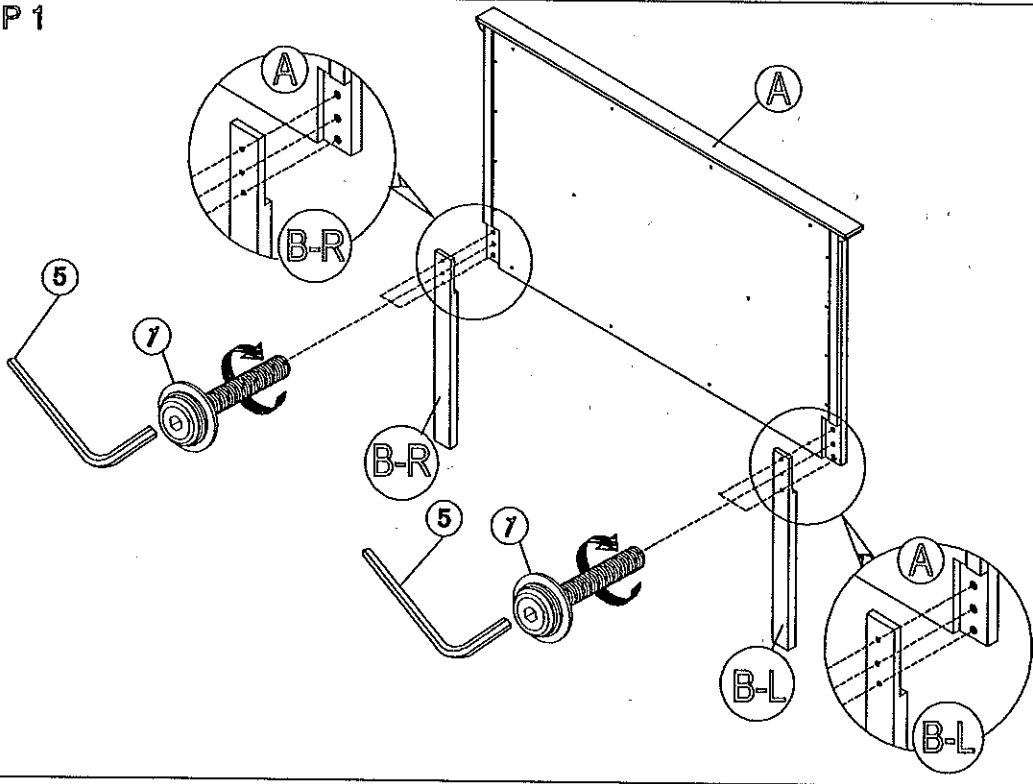
**(BOX 1)
HEADBOARD & FOOTBOARD HARDWARE LIST**

ITEM	DRAWING	DESCRIPTION	QTY
1		SCREW - JCBC M6 X 35	6
2		SCREW - JCBC M8 X 20	8
3		SCREW CSK M4 X 25	8
4		ALLEN KEY M8	1
5		ALLEN KEY M8	1



**COMPLETED QUEEN BED
ASSEMBLY**

STEP 1



THE HARDWARE IS LOCATED IN THE PACKING ITEMS

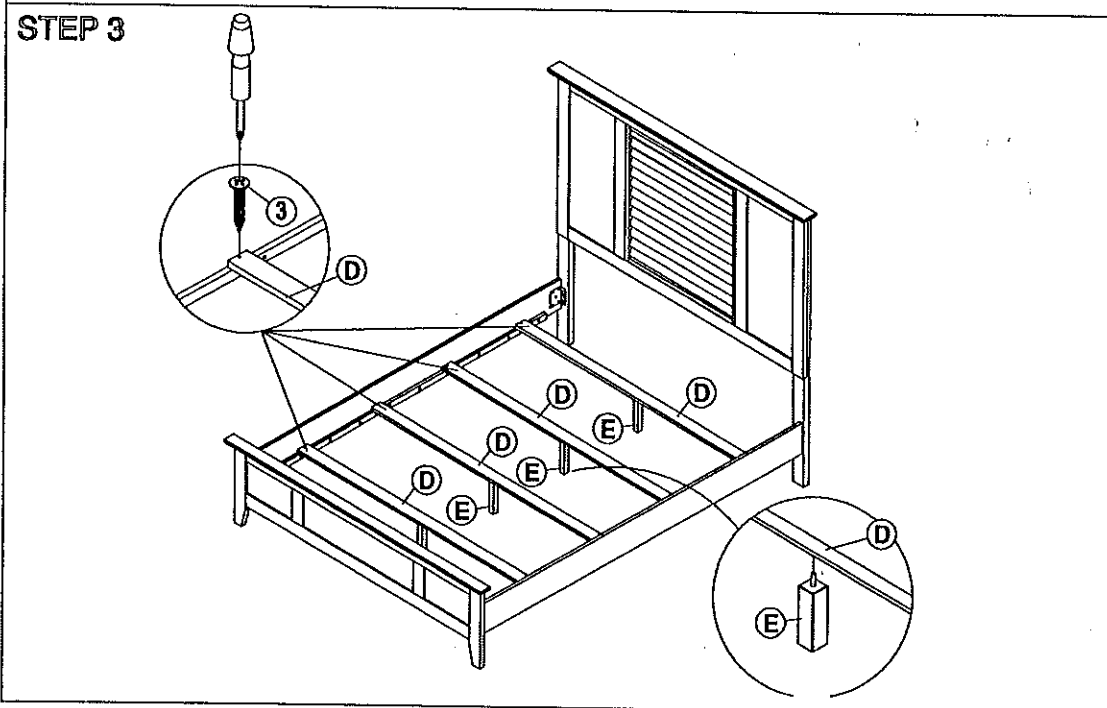
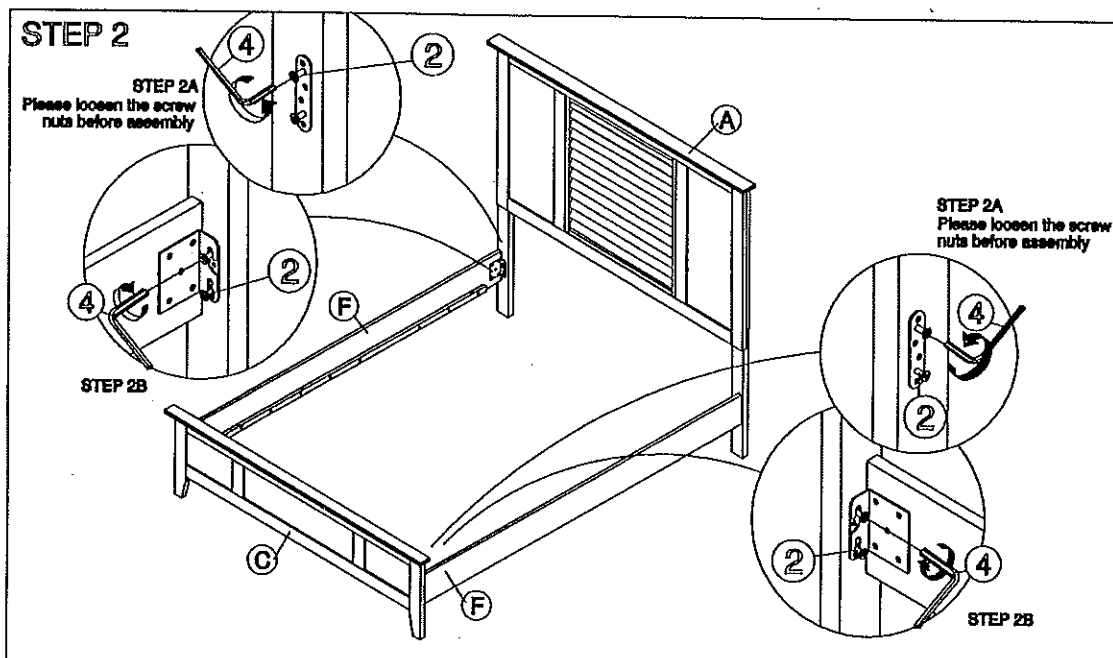
NOTE : MUST TIGHTEN SCREWS PERIODICALLY. WITH USE SCREW MAY BECOME LOOSE.
CHECK TIGHTNESS OF ALL SCREW EVERY 6-8 WEEKS.

MADE IN MALAYSIA

PAGE 1 OF 2

ASSEMBLY INSTRUCTIONS

ITEM NO : B4740-Q-HBFB /
B4740-KQ-RAIL
QUEEN BED



THE HARDWARE IS LOCATED IN THE PACKING ITEMS

NOTE : MUST TIGHTEN SCREWS PERIODICALLY. WITH USE SCREW MAY BECOME LOOSE.
CHECK TIGHTNESS OF ALL SCREW EVERY 8-9 WEEKS.

MADE IN MALAYSIA

PAGE 2 OF 2