

# ASSEMBLY INSTRUCTIONS

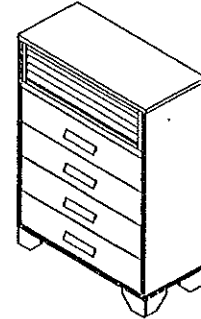
ITEM NO : B4740-4 CHEST

**BOX OF CHEST**

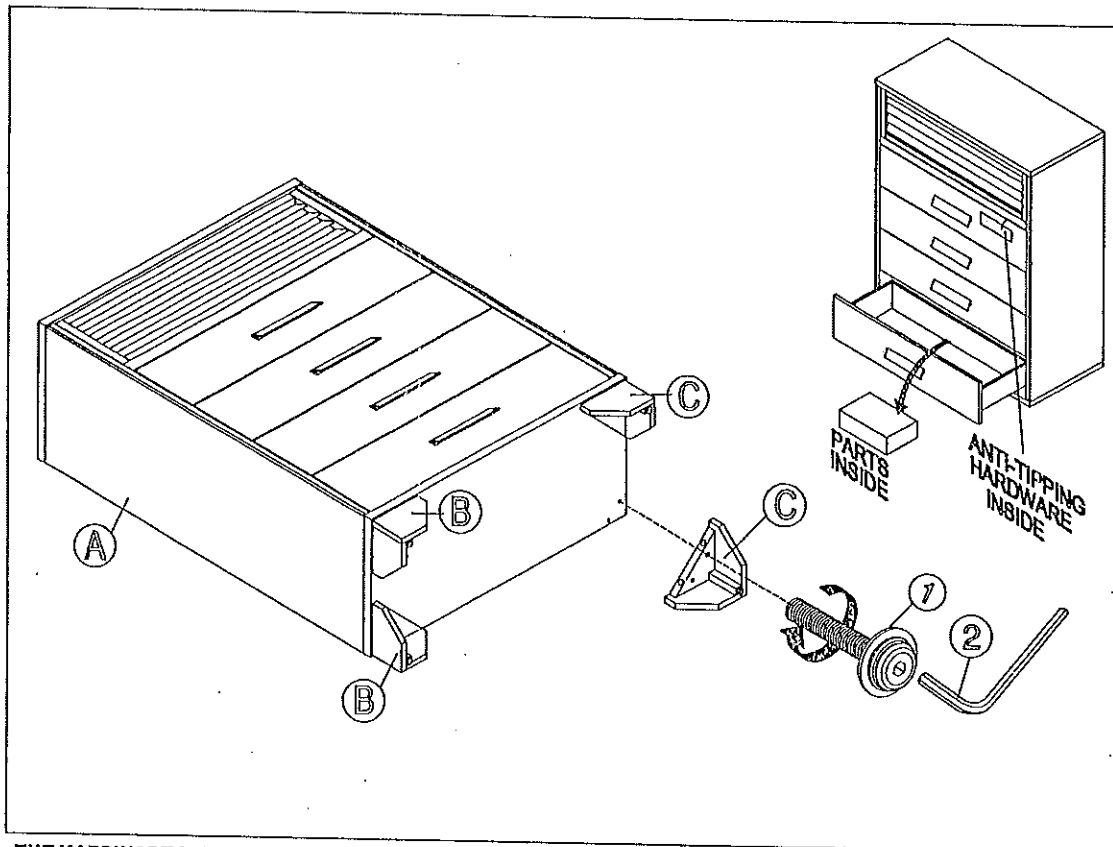
ITEM	DRAWING	DESCRIPTION	QTY
A		CHEST	1
B		WOODEN LEG - L (PACKED INSIDE CHEST BOTTOM DRAWER)	2
C		WOODEN LEG - R (PACKED INSIDE CHEST BOTTOM DRAWER)	2

**BOX OF CHEST HARDWARE LIST**

ITEM	DRAWING	DESCRIPTION	QTY
1		SCREW - JCBC M8 X 35	8
2		ALLEN KEY M8	1



**COMPLETED CHEST  
ASSEMBLY**



THE HARDWARE IS LOCATED IN THE PACKING ITEMS  
THE ANTI-TIPPING HARDWARE IS LOCATED IN THE CHEST 2ND DRAWER

NOTE : MUST TIGHTEN SCREWS PERIODICALLY. WITH USE SCREW MAY BECOME LOOSE.  
CHECK TIGHTNESS OF ALL SCREW EVERY 6-8 WEEKS.

MADE IN MALAYSIA

PAGE 1 OF 1