

# ASSEMBLY INSTRUCTIONS

**CROWNMARK : B4710  
E.KING BED (4 +8)**

**(BOX 1)**

BOX OF HEADBOARD

NO	ITEM	QTY
A	HEADBOARD	1 PC
B	FOOTBOARD	1 PC
C	HB LEG L&R	2 PCS

**(BOX 2)**

BOX OF SIDE RAIL

NO	ITEM	QTY
D	SIDE RAIL	2 PCS
E	BED SLAT	4 PCS
F	BED SLAT SUPPORT	8 PCS

**(BOX 1)**

HARDWARE LIST

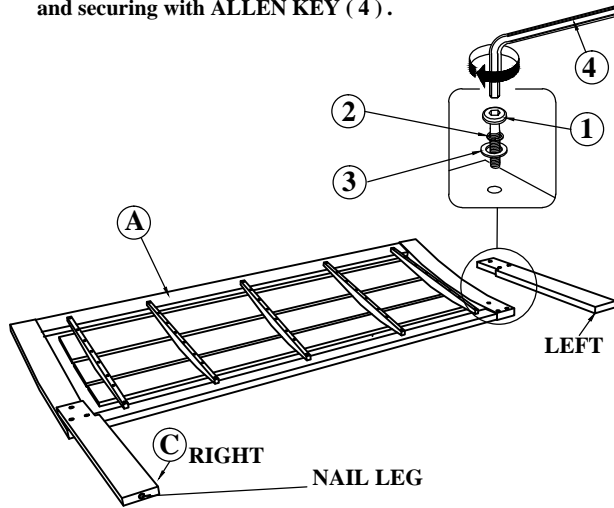
NO	ITEM	QTY
1	JCBC BOLT M6 x 30MM BLK	6 PCS
2	SPRING WASHER 1/4" RBW	6 PCS
3	FLAT WASHER 1/4" ID x 13mm OD BLK	6 PCS
4	ALLEN KEY m4 x 65mm BLK	1 PC

**(BOX 2)**

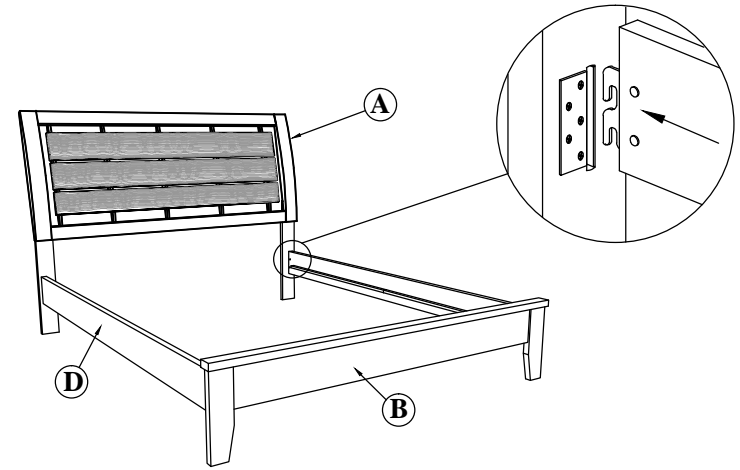
HARDWARE LIST

NO	ITEM	QTY
5	FLAT HEAD CHIPBOARD SCREW m4 x 32mm RBW	8 PCS

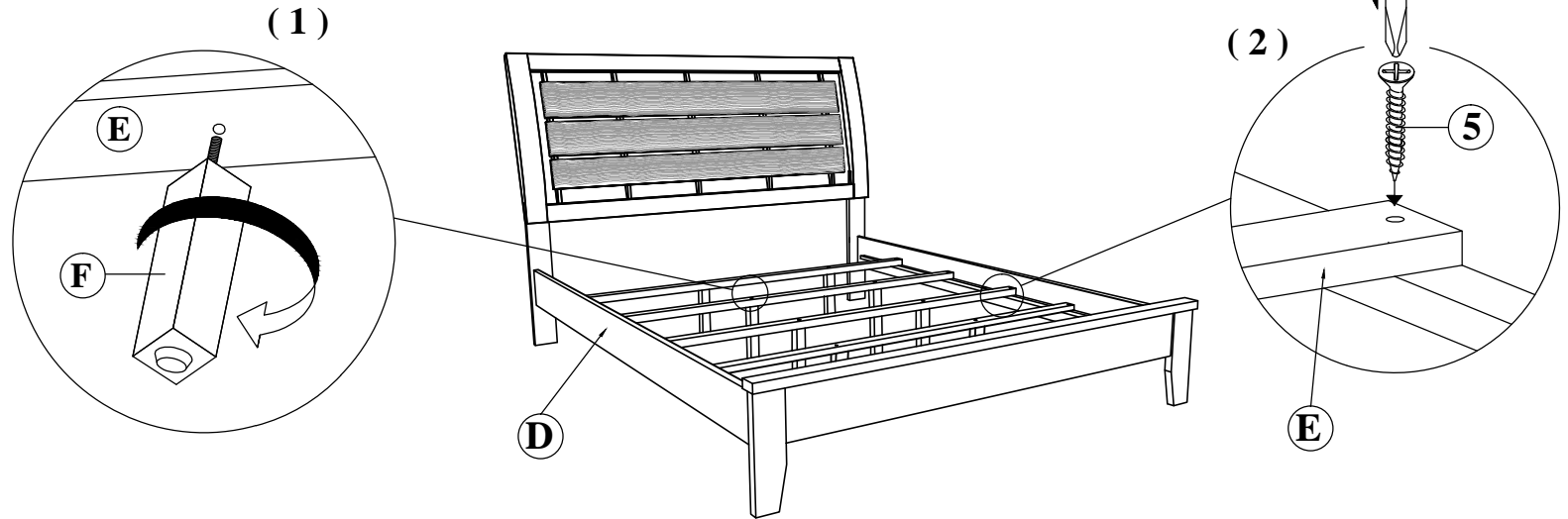
**STEP 1 : Attach Head Board Leg ( C ) to Head Board ( A ) as shown using JCBC BOLT( 1)with Spring Washer (2), Flat washer (3) and securing with ALLEN KEY ( 4 ) .**



**STEP 2 : Hook SIDE RAIL ( D ) TO HEAD BOARD ( A ) closely and push down to fit. repeat step 2 with other end of rail to hook onto FOOTBOARD ( B ) .**



**STEP 3 : Fix the Bed Slats Support ( F ) to Bed Slats ( E ) as Shown and fix the Bed Slats to Side Rail ( D ) by using Flat Head Chipboard Screw ( 5 ) . Loosen or Tighten the Adjuster as necessary to level the bed. Bed assembly should be done in final location to ensure stability.**



NOTE : MUST TIGHTEN SCREWS PERIODCALLY WITH USE SCREW WILL BECOME LOOSE CHECK TIGHTNESS OF ALL SCREW EVERY 6-8 WEEKS.