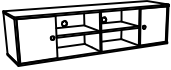




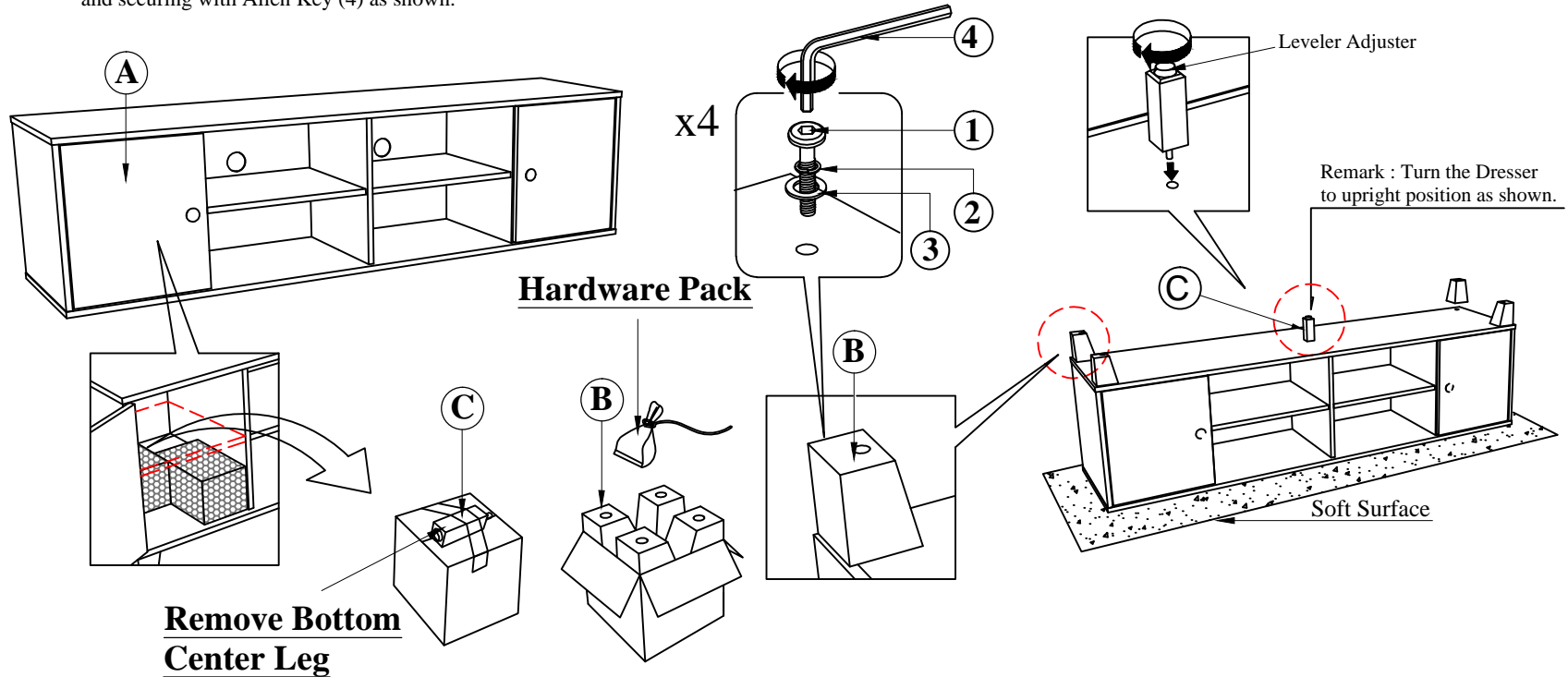
ASSEMBLY INSTRUCTIONS

CROWNMARK
MODEL : B4610-9
TV STAND





(BOX 1)
BOX OF DRESSER

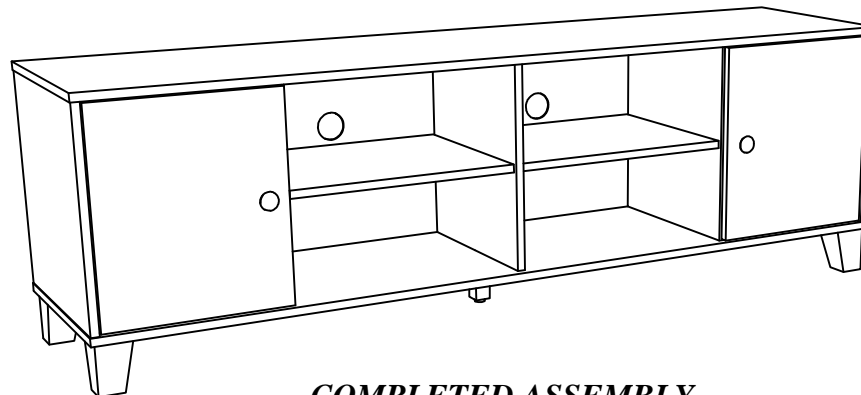
NO	ITEM	QTY
A	DRESSER 	1 pc
B	BUN FOOT 	4 pcs
C	BOTTOM CENTER LEG 	1 pc

STEP 1 : Open The door and take out the Bunfoot carton (B). Assemble the Bun Foot (B) with JCBC Bolt (1),Spring washer (2),Flatwasher (3) and securing with Allen Key (4) as shown.



(BOX 1)
HARDWARE LIST

NO	ITEM	QTY
1	JCBC Bolt m6x45mm Blk 	4 pcs
2	Spring Washer 1/4" Blk 	4 pcs
3	Flat Washer 1/4"IDx13mmOD Blk 	4 pcs
4	Allen Key m4x110mm With Ball Blk 	1 pc



COMPLETED ASSEMBLY

NOTE : MUST TIGHTEN SCREWS **PERIODICALLY** WITH USE SCREW WILL BECOME LOOSE CHECK TIGHTNESS OF ALL SCREW EVERY 6-8 WEEKS.