

ASSEMBLY INSTRUCTIONS

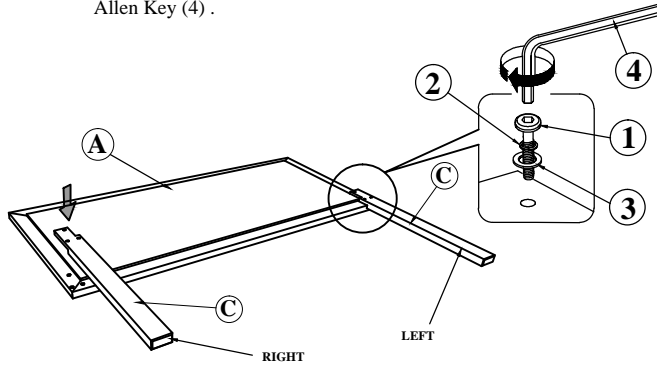
CROWNMARK
MODEL : B4390
QUEEN BED (4 + 4)

(Box 1)

BOX OF HEADBOARD & FOOTBOARD

| NO | ITEM | QTY |
|----|---------------------|-------|
| A | Headboard | 1 PC |
| B | Footboard | 1 PC |
| C | Headboard Leg (L&R) | 2 PCS |
| D | Bed Slat | 4 PCS |
| E | Bed Slat Support | 4 PCS |

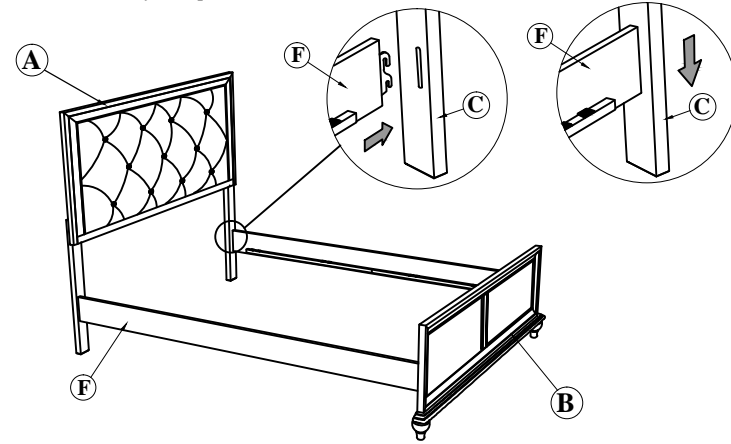
STEP 1 : Align & fasten left & right (C) headboard leg to headboard panel (A) using bolt (1), spring washer (2) & flat washer (3) and fully tighten with Allen Key (4).



****BACK VIEW**

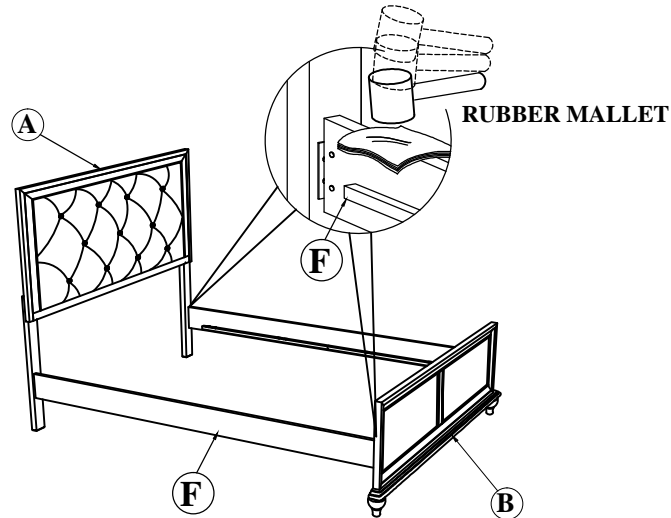
****Please take note the marking on the leg ****

STEP 2 : Align & hook bed rail (F) to headboard (A) & footboard (B) closely and push down to fit.



STEP 3 : To secure the bed rail (F), light tap with a rubber mallet (NOT INCLUDED).

Note : Make sure the protective cloth is thick enough to protect the bed rail (F) when hammering.



(Box 2)

BOX OF SIDE RAIL

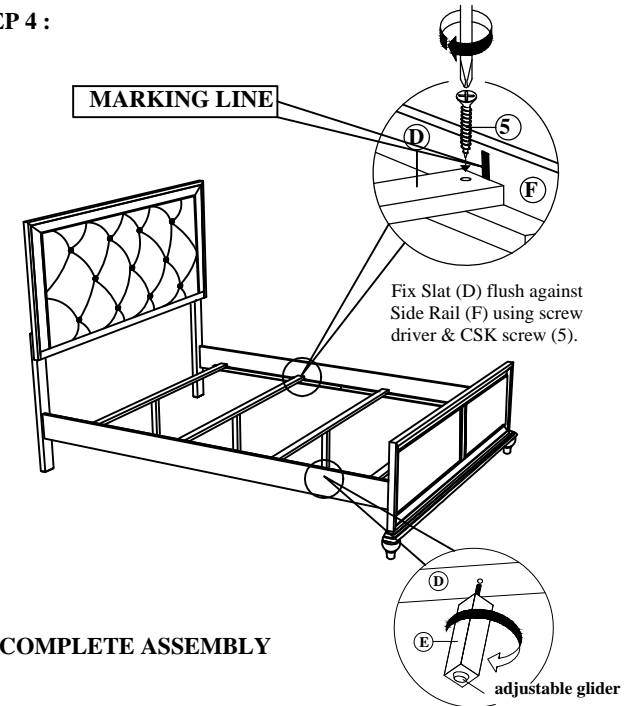
| NO | ITEM | QTY |
|----|-----------|-------|
| F | Side Rail | 2 PCS |

(Box 1)

HARDWARE LIST

| NO | ITEM | QTY |
|----|-----------------------------------|-------|
| 1 | JCBC BOLT M6 x 30MM | 6 PCS |
| 2 | SPRING WASHER 1/4" RBW | 6 PCS |
| 3 | FLAT WASHER 1/4" ID x 13mm OD BLK | 6 PCS |
| 4 | ALLEN KEY m4 x 65mm BLK | 1 PC |
| 5 | CSK M4 x 32MM | 8 PCS |

STEP 4 :



COMPLETE ASSEMBLY

NOTE : MUST TIGHTEN SCREWS PERIODCALLY WITH USE SCREW WILL BECOME LOOSE CHECK TIGHTNESS OF ALL SCREW EVERY 6-8 WEEKS.