

ASSEMBLY INSTRUCTIONS

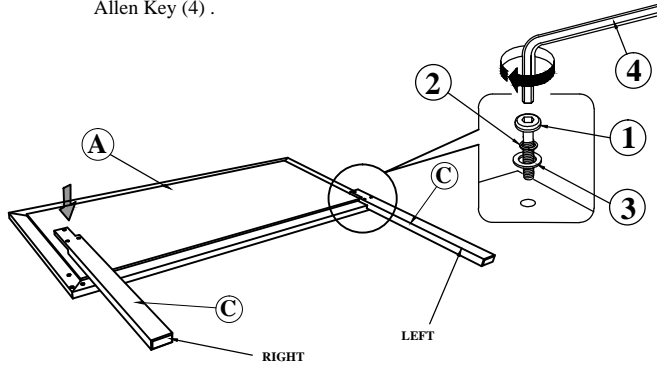
CROWNMARK
MODEL : B4390
KING BED (4 + 8)

(Box 1)

BOX OF HEADBOARD & FOOTBOARD

NO	ITEM	QTY
A	Headboard	1 PC
B	Footboard	1 PC
C	Headboard Leg (L&R)	2 PCS
D	Bed Slat	4 PCS
E	Bed Slat Support	8 PCS

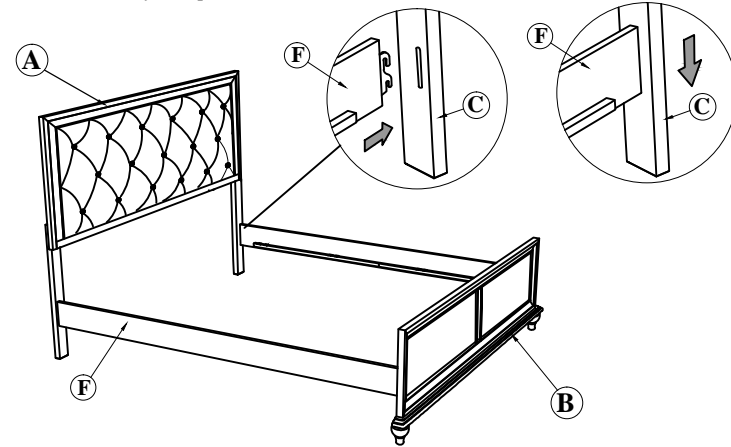
STEP 1 : Align & fasten left & right (C) headboard leg to headboard panel (A) using bolt (1), spring washer (2) & flat washer (3) and fully tighten with Allen Key (4).



****BACK VIEW**

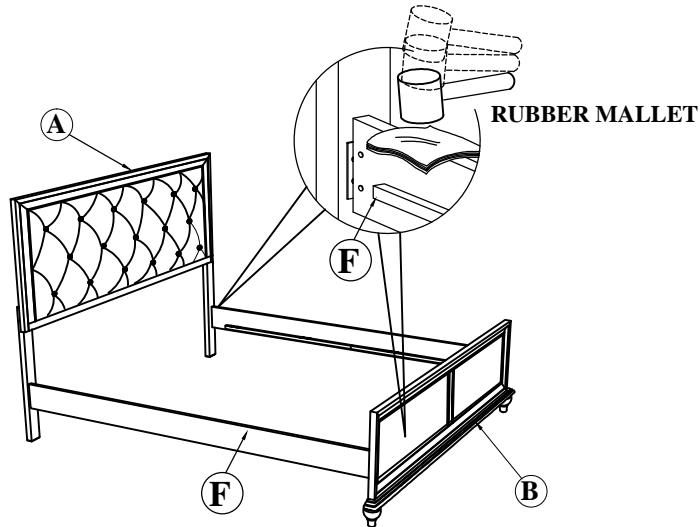
****Please take note the marking on the leg ****

STEP 2 : Align & hook bed rail (F) to headboard (A) & footboard (B) closely and push down to fit.



STEP 3 : To secure the bed rail (F), light tap with a rubber mallet (NOT INCLUDED).

Note : Make sure the protective cloth is thick enough to protect the bed rail (F) when hammering.



(Box 2)

BOX OF SIDE RAIL

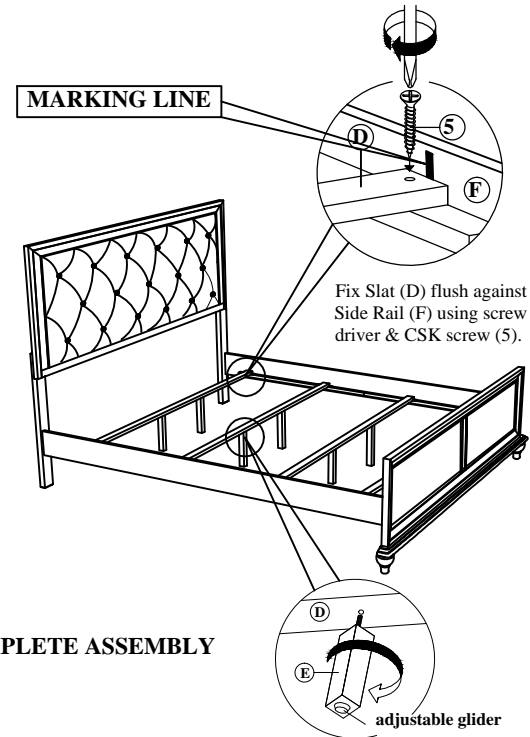
NO	ITEM	QTY
F	Side Rail	2 PCS

(Box 1)

HARDWARE LIST

NO	ITEM	QTY
1	JCBC BOLT M6 x 30MM	6 PCS
2	SPRING WASHER 1/4" RBW	6 PCS
3	FLAT WASHER 1/4" ID x 13mmOD BLK	6 PCS
4	ALLEN KEY m4 x 65mm BLK	1 PC
5	CSK M4 x 32MM	8 PCS

STEP 4 :



COMPLETE ASSEMBLY

adjustable glider

NOTE : MUST TIGHTEN SCREWS PERIODCALLY WITH USE SCREW WILL BECOME LOOSE CHECK TIGHTNESS OF ALL SCREW EVERY 6-8 WEEKS.