

ASSEMBLY INSTRUCTIONS

**CROWNMARK : B4300
TWIN (4+0)**

(Box 1)
BOX OF HEADBOARD & FOOTBOARD

No	ITEM	Qty
A	Headboard	1 pc
B	Headboard Leg (L/R) Nail Leg 710	2 pcs
C	Footboard	1 pc
D	Bed Slats	4 pcs

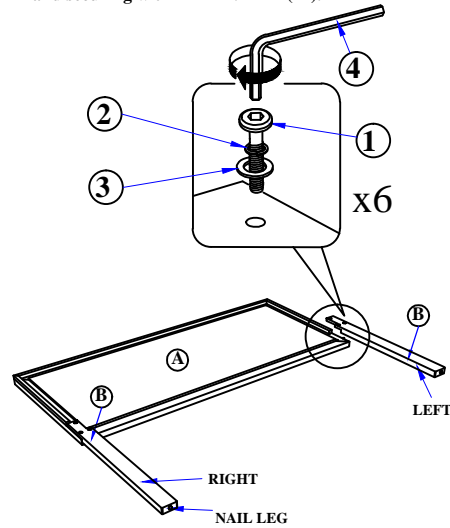
(Box 2)
BOX OF SIDE RAIL

No	ITEM	Qty
E	Side Rail	2 pcs

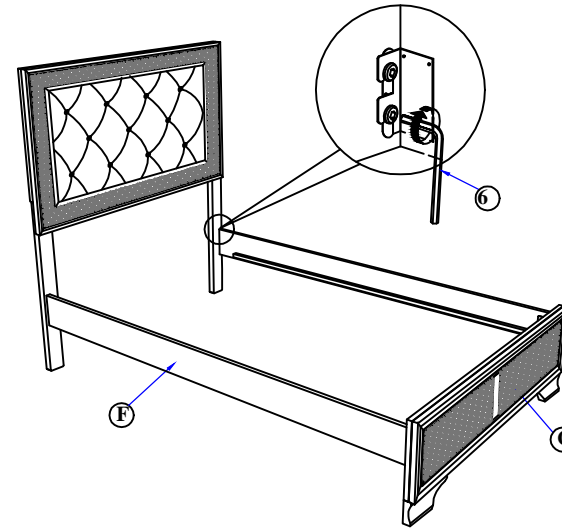
(Box 1)
BOX OF HEADBOARD & FOOTBOARD

No	ITEM	Qty
1	JCBC M6 x 30mm	6 pcs
2	SPRING WASHER 1/4" Rbw	6 pcs
3	Flat Washer 1/4"ID x 13mmOD Blk	6 pcs
4	ALLEN KEY m4x65mm Blk	1 pc
5	Csk M4 x 32mm	8 pcs
6	ALLEN KEY m5x65mm Blk	1 pc
7	12V=12W+1A Adaptor With ETL Certificate (US)INSIDE THE BOX WITH RED LABEL	1 pc

STEP 1 : Attach Headboard Leg (C) to Headboard (A) as shown using JCBC BOLT (1) with Spring Washer (2), Flat washer (3) and securing with ALLEN KEY (4).

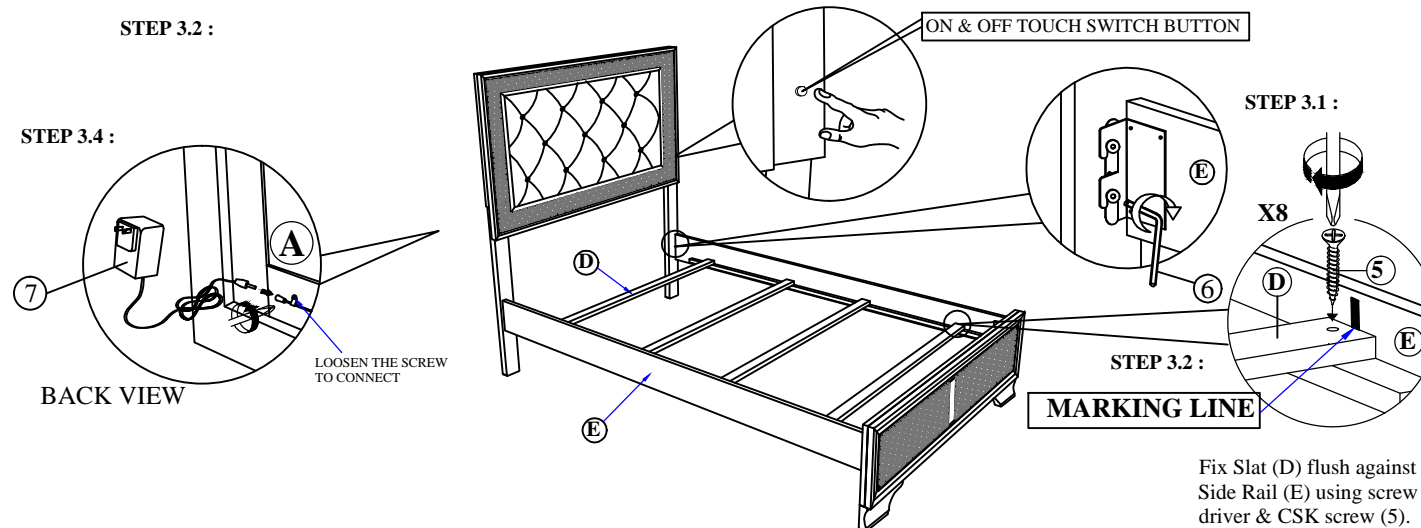


STEP 2 : Hook SIDE RAIL (F) TO HEADBOARD (A) closely and push down to fit. repeat step 2 with other end of rail to hook onto FOOTBOARD (C).

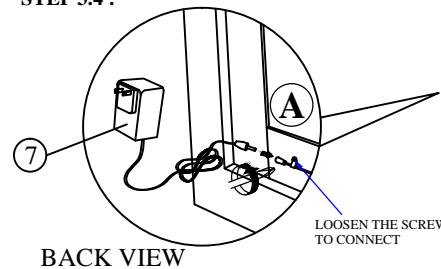


STEP 3 : Tighten the 4 Corner with Allen Key (6) as shown . Install the bed slat (D) to side rail (E) and tighten with Csk Screw (5) as per diagram shown. (NOTE: THE SETUP MUST DONE AT THE DECIDED LOCATION FOR THE BED TO OBTAIN PERFECT STABILITY)

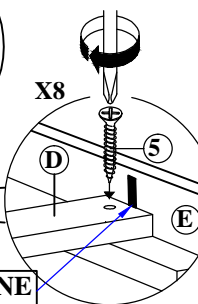
STEP 3.2 :



STEP 3.4 :



STEP 3.1 :



Fix Slat (D) flush against Side Rail (E) using screw driver & CSK screw (5).

NOTE : MUST TIGHTEN SCREWS PERIODCALLY OR SCREWS WILL BECOME LOOSE.CHECK TIGHTNESS OF ALL SCREWS EVERY 6-8 WEEKS.