

ASSEMBLY INSTRUCTIONS

CROWNMARK : B4300
FULL (4+4)

(Box 1)
BOX OF HEADBOARD & FOOTBOARD

No	ITEM	Qty
A	Headboard	1 pc
B	Headboard Leg (L/R) Nail Leg 710	2 pcs
C	Footboard	1 pc
D	Bed Slats	4 pcs
E	Bed Slats Support 30x30x225mm	4 pcs

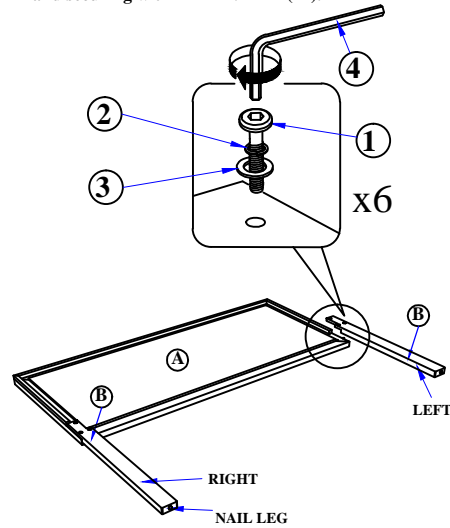
(Box 2)
BOX OF SIDE RAIL

No	ITEM	Qty
F	Side Rail	2 pcs

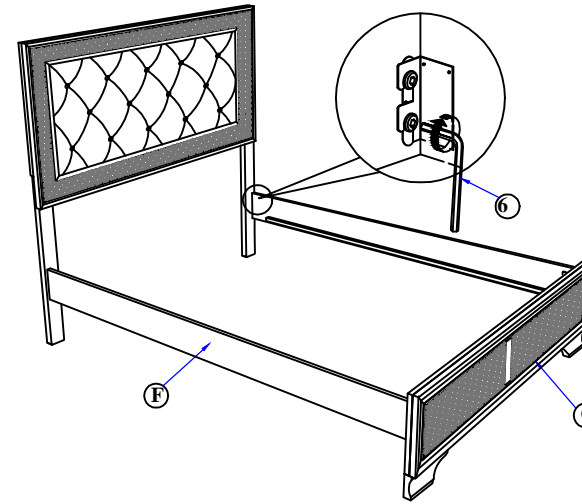
(Box 1)
BOX OF HEADBOARD & FOOTBOARD

No	ITEM	Qty
1	JCBC M6 x 30mm	6 pcs
2	SPRING WASHER 1/4" Rbw	6 pcs
3	Flat Washer 1/4" ID x 13mm OD Blk	6 pcs
4	ALLEN KEY m4x65mm Blk	1 pc
5	Csk M4 x 32mm	8 pcs
6	ALLEN KEY m5x65mm Blk	1 pc
7	12V+12W+1A Adaptor With ETL Certificate (US)(INSIDE THE BOX WITH RED LABEL)	1 pc

STEP 1 : Attach Headboard Leg (C) to Headboard (A) as shown using JCBC BOLT (1) with Spring Washer (2), Flat washer (3) and securing with ALLEN KEY (4).



STEP 2 : Hook SIDE RAIL (F) TO HEADBOARD (A) closely and push down to fit. Repeat step 2 with other end of rail to hook onto FOOTBOARD (C).

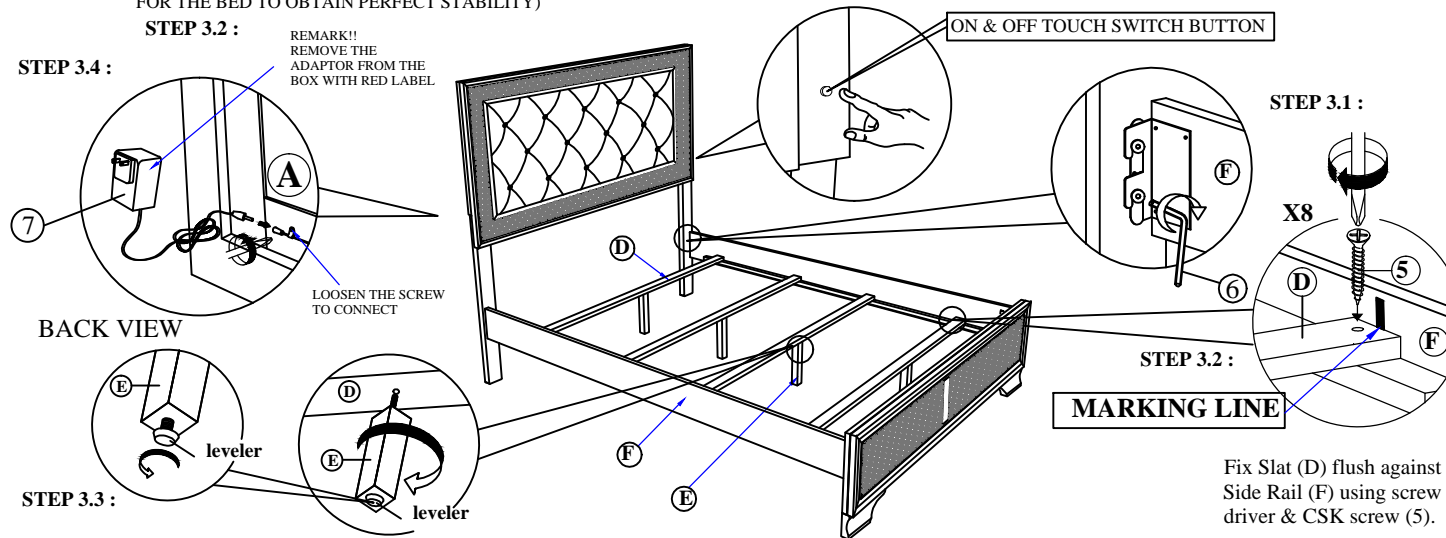


STEP 3 : Tighten the 4 Corner with Allen Key (6). Fix the Bed Slat Support Leg (E), to Bed Slat (D) as shown . Install the bed slat (D) to side rail (F) and tighten with Csk Screw (5) as per diagram shown. (NOTE: THE SETUP MUST BE DONE AT THE DECIDED LOCATION FOR THE BED TO OBTAIN PERFECT STABILITY)

STEP 3.2 :

REMARK!!
REMOVE THE ADAPTOR FROM THE BOX WITH RED LABEL

STEP 3.4 :



Fix Slat (D) flush against Side Rail (F) using screw driver & Csk screw (5).

NOTE : MUST TIGHTEN SCREWS PERIODCALLY OR SCREWS WILL BECOME LOOSE.CHECK TIGHTNESS OF ALL SCREWS EVERY 6-8 WEEKS.