

# ASSEMBLY INSTRUCTION

**CROWNMARK : B4300-1/B4300-11  
DRESSER & MIRROR**

**(Box 1)**

BOX OF MIRROR

NO	ITEM	Qty
A	MIRROR	1 PC
B	MIRROR SUPPORT RAIL	2 PCS

**(Box. 2)**

BOX OF DRESSER

NO	ITEM	Qty
C	DRESSER	1 PC

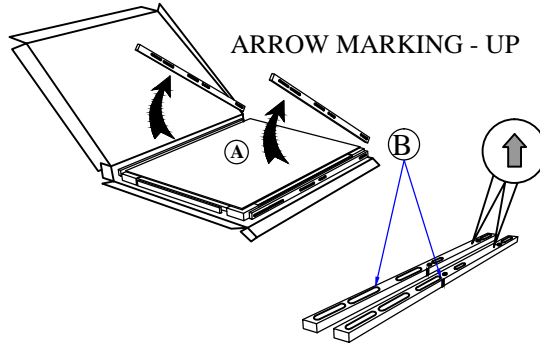
**(Box. 1)**

HARDWARE LIST

NO	ITEM	Qty
1	JCBC BOLT M6 x 35MM BLK	8 PCS
2	SPRING WASHER 1/4" RBW	8 PCS
3	FLAT WASHER 1/4" ID x 19mmOD BLK	8 PCS
4	ALLEN KEY m4 x 65mm BLK	1 PC

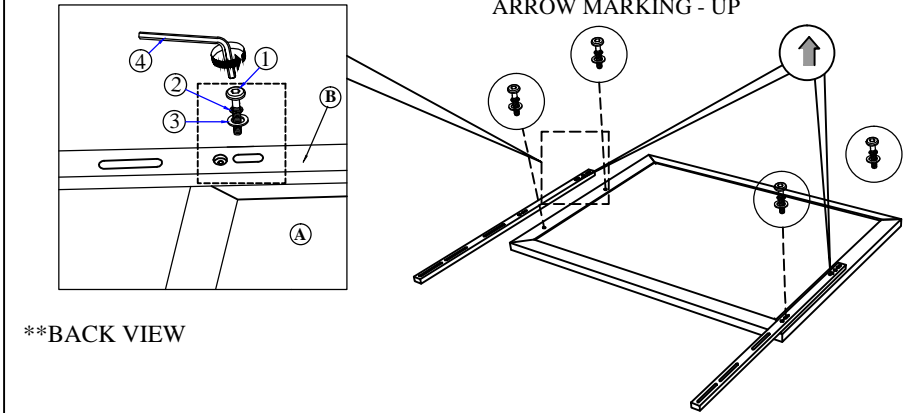
**STEP 1**

Take out mirror support (B) from the carton box.

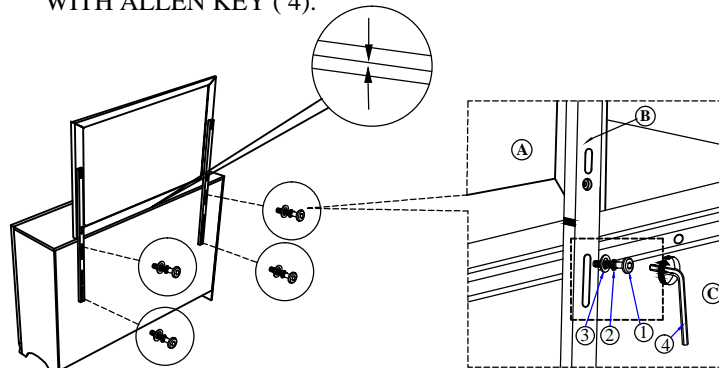


**STEP 2 :** Align & fasten mirror support (B) to the back of mirror (A) using short JCBC bolt(1),spring washer (2) & flat washer (3). **DO NOT FULLY TIGHTEN AT THIS STEP.**

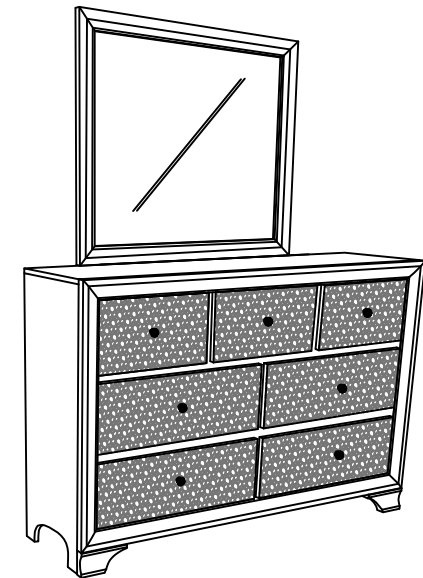
Note : Make sure arrow marking of the mirror support (B) is aligned up.



**STEP 3 :** Place mirror (A) on top of dresser (C). Align & fasten mirror support (B) to the back of dresser (C) using long JCBC bolt (1) , spring washer (2) & flat washer (3) **THEN FULLY TIGHTEN ALL THE BOLTS AT STEP 2 & 3 WITH ALLEN KEY ( 4).**



Note : Make sure arrow marking of the mirror support is aligned with the arrow marking of the center of the dresser as shown in drawing.



COMPLETED ASSEMBLY

NOTE : MUST TIGHTEN SCREWS PERIODCALLY OR SCREWS WILL BECOME LOOSE.CHECK TIGHTNESS OF ALL SCREWS EVERY 6-8 WEEKS.