

ASSEMBLY INSTRUCTIONS

CROWN MARK MODEL:
B4100-T-HB/T-FB/FT-RAIL
TWIN BED (4 + 0)

(BOX 1) HEADBOARD

No	ITEM	Qty
A	Headboard	1 pc
B	Headboard Leg (L/R)	2 pcs
C	HB Bottom Support	1 pc

(BOX 2) FOOTBOARD

D	Footboard	1 pc
E	Bed Slats	4 pcs

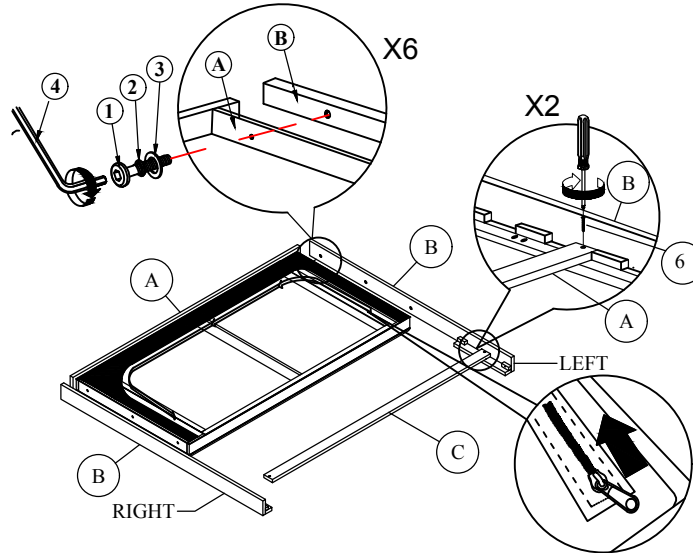
(BOX 3) SIDE RAILS

NO	ITEM	Qty
F	Side Rails	2 pcs

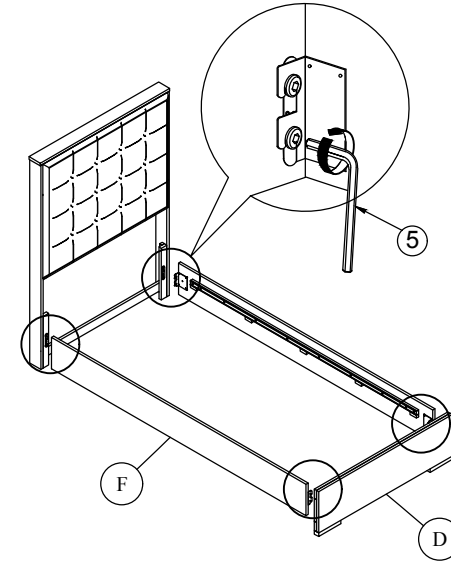
(BOX 1) HARDWARE

NO	ITEM	Qty
1	JCBC M6 x 35mm	6pcs
2	SPRING WASHER 1/4" RBW	6 pcs
3	FLAT WASHER 1/4"ID x 19mm OD BLK	6 pcs
4	ALLEN KEY M4 x 65mm BLK	1 pc
5	ALLEN KEY M5 x 65mm BLK	1 pc
6	Csk M4 x 32mm	10pcs

- STEP 1**
- 1.1 Open the back headboard cover cloth by unzip them as diagram shown
- 1.2 Attach Head Board Leg (B) to Head Board (A) as shown using JCBC BOLT (1) with Spring Washer (2), Flat washer (3) and securing with ALLEN KEY (4).



- STEP 2**
- Hook SIDE RAIL (F) TO HEAD BOARD (A) closely and push down to fit. repeat step 2 with other end of rail to hook onto FOOTBOARD (C).



- STEP 3**
- Tighten the 4 Corner with Allen Key (5). Fix the Bed Slat (E) as shown . Install the bed slat (E) to side rail (F) and tighten with Csk Screw (6) as per diagram shown. NOTE: THE SETUP MUST DONE AT THE DECIDED LOCATION FOR THE BED TO OBTAIN PERFECT STABILITY)

