

ASSEMBLY INSTRUCTIONS

CROWN MARK MODEL:
B4100-F-HB/F-FB/FT-RAIL
FULL BED (4 + 4)

(BOX 1) HEADBOARD

No	ITEM	Qty
A	Headboard	1 pc
B	Headboard Leg (L/R)	2 pcs
C	HB Bottom Support	1 pc

(BOX 2) FOOTBOARD

D	Footboard	1 pc
E	Bed Slats	4 pcs
F	Bed Slats Support 30 x 30 x 225mm	4 pcs

(BOX 3) SIDE RAILS

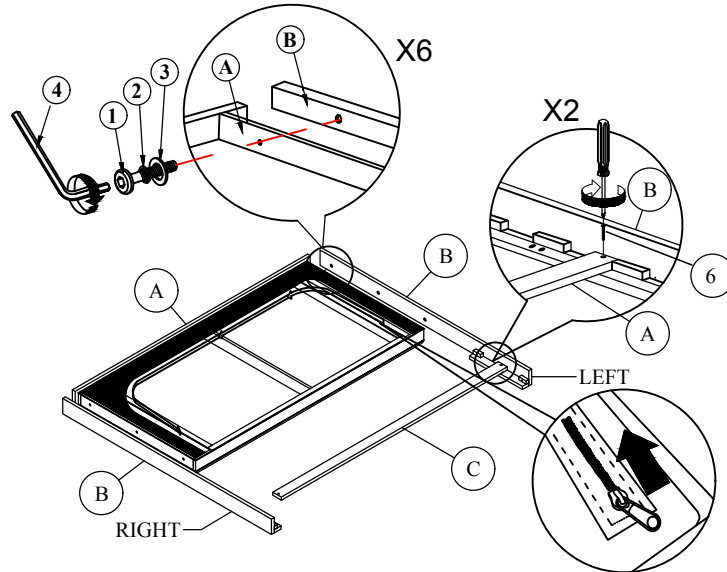
No	ITEM	Qty
G	Side Rails	2 pcs

(BOX 1) HARDWARE

No	ITEM	Qty
1	JCBC M6 x 35mm	6pcs
2	SPRING WASHER 1/4" RBW	6 pcs
3	FLAT WASHER 1/4"ID x 19mm OD BLK	6 pcs
4	ALLEN KEY M4 x 65mm BLK	1 pc
5	ALLEN KEY M5 x 65mm BLK	1 pc
6	Csk M4 x 32mm	10pcs

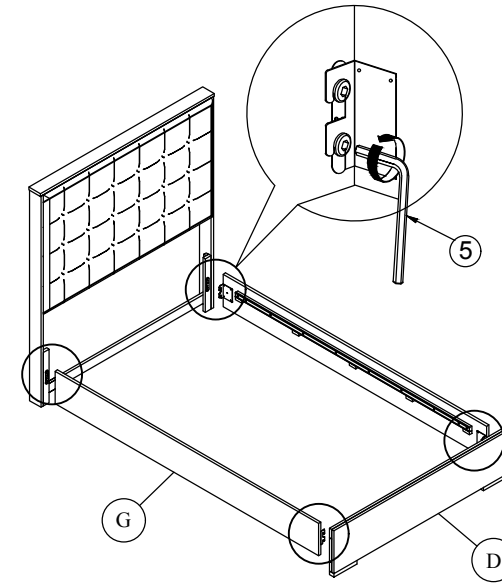
STEP 1

- 1.1 Open the back headboard cover cloth by unzip them as diagram shown
- 1.2 Attach Head Board Leg (B) to Head Board (A) as shown using JCBC BOLT (1) with Spring Washer (2), Flat washer (3) and securing with ALLEN KEY (4).



STEP 2

- Hook SIDE RAIL (G) TO HEAD BOARD (A) closely and push down to fit. repeat step 2 with other end of rail to hook onto FOOTBOARD (C).



Tighten the 4 Corner with Allen Key (5). Fix the Bed Slat Support Leg (F), to Bed Slat (E) as shown . Install the bed slat (E) to side rail (G) and tighten with Csk Screw (6) as per diagram shown. **NOTE: THE SETUP MUST BE DONE AT THE DECIDED LOCATION FOR THE BED TO OBTAIN PERFECT STABILITY)**

