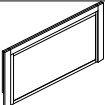
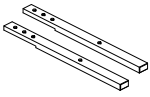
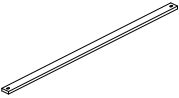
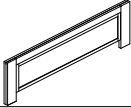
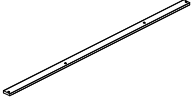
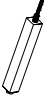


ASSEMBLY INSTRUCTION INSTRUCCIONES

B1700 KING BED B1700 CAMA KING

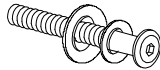


BOX 1

BOX OF HEADBOARD/ FOOTBOARD

NO	PART DESC	-----	Q'TY
A	HEADBOARD		1PC/ PIEZA
B	L/R HEADBOARD LEG		2PCS/ PIEZAS
C	STRETCHER		1PC/ PIEZA
D	FOOTBOARD		1PC/ PIEZA
E	SLAT		4PCS/ PIEZAS
F	SUPPORT LEG		8PCS/ PIEZAS

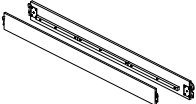
BOX 1

HARDWARE LIST

1	BLOT(Ø1/4"-20 x 1-1/2")		8PCS/ PIEZAS
2	ALLEN WRENCH		1PC/ PIEZA
3	CSK SCREW (#4 x 1*3/16")		8PCS/ PIEZAS

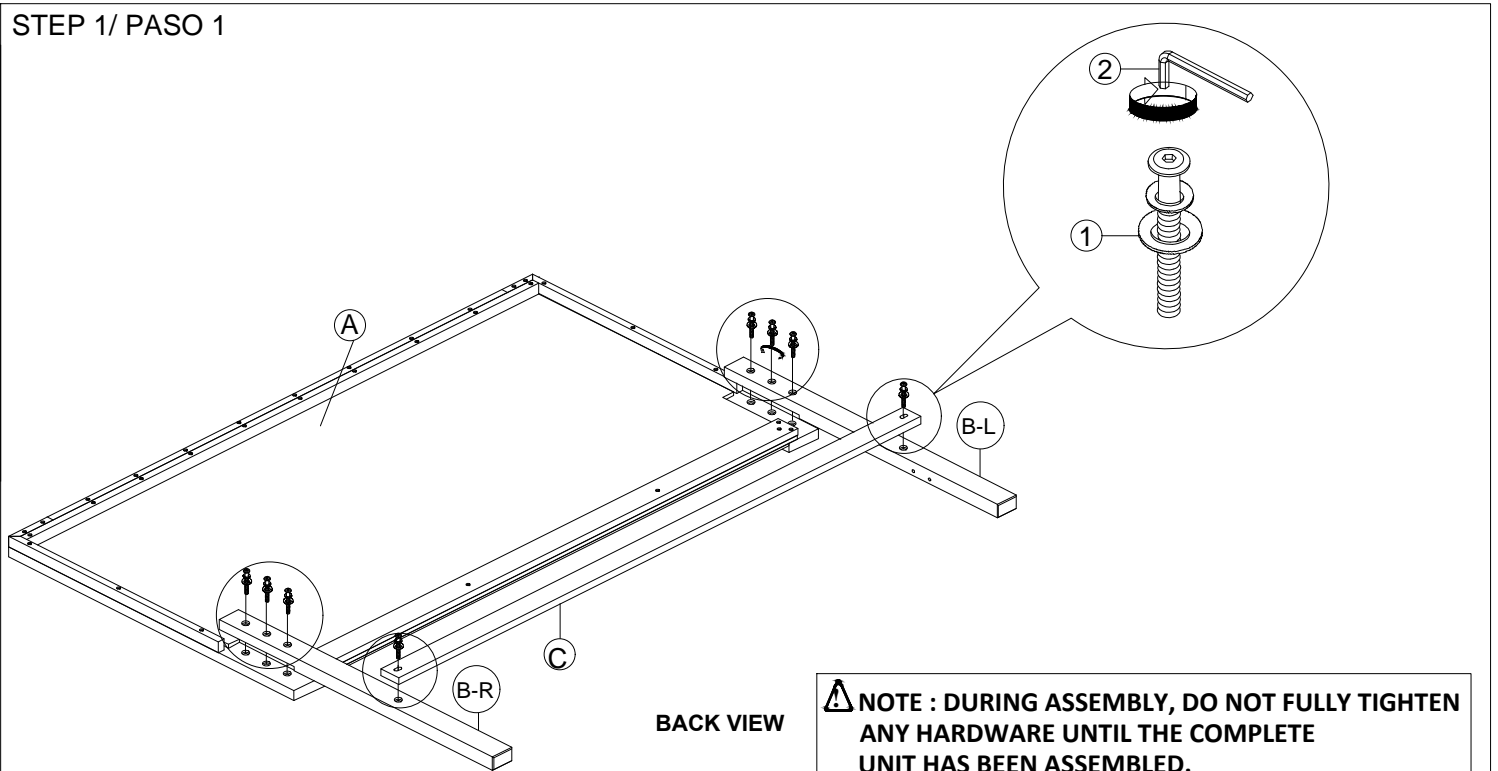
BOX 2

BOX OF RAIL

NO	PART DESC	-----	Q'TY
G	SIDE RAIL		2PCS/ PIEZAS

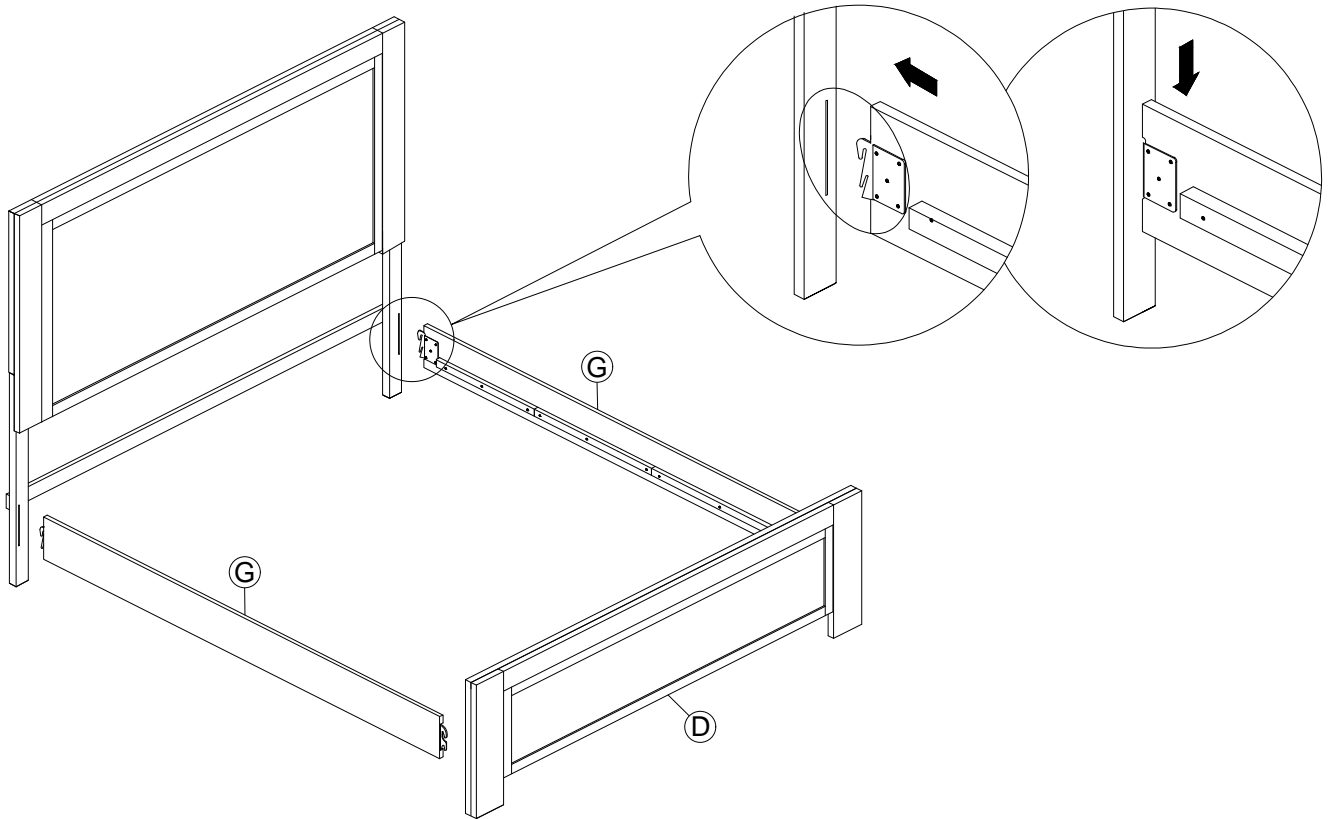
THE HARDWARE IS LOCATED IN THE PACKING ITEMS

STEP 1/ PASO 1

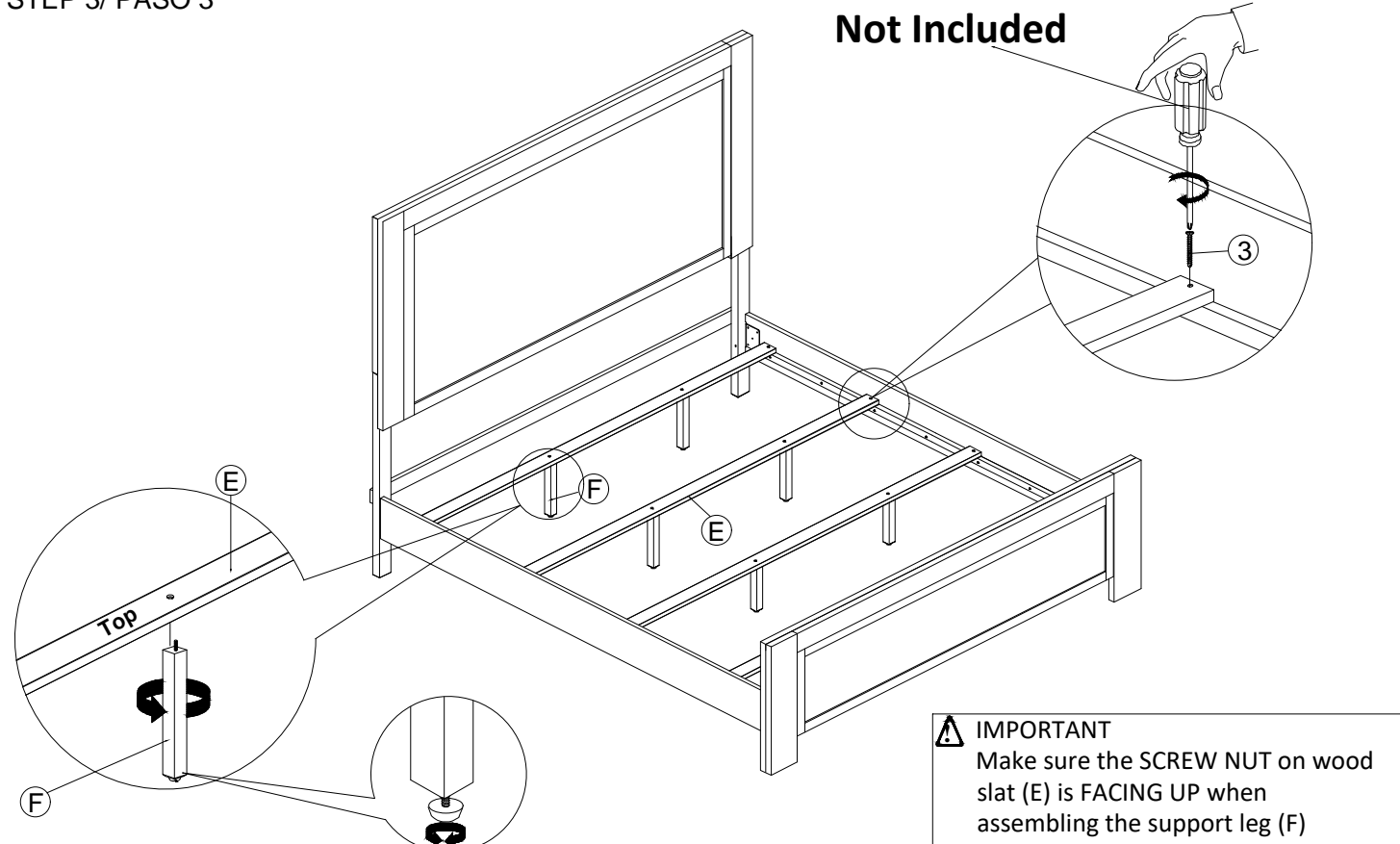


NOTE : MUST TIGHTEN SCREWS PERIODICALLY WITH USE SCREWS WILL BECOME LOOSE.CHECK TIGHTNESS OF ALL SCREWS EVERY 6-8 WEEKS

STEP 2/ PASO 2



STEP 3/ PASO 3



NOTE : MUST TIGHTEN SCREWS PERIODICALLY WITH USE SCREWS WILL BECOME LOOSE.CHECK TIGHTNESS OF ALL SCREWS EVERY 6-8 WEEKS