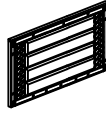
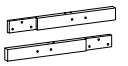
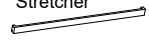


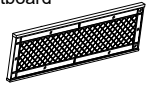



# ASSEMBLY INSTRUCTIONS

## CROWN MARK MODEL : B1680 QUEEN BED


(BOX 1)  
BOX OF HEADBOARD

NO	ITEM	QTY
A	Headboard 	1PC
B	K/D Legs (L&R) 	2PCS
C	Stretcher 	1PC



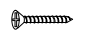
(BOX 2)  
BOX OF FOOTBOARD

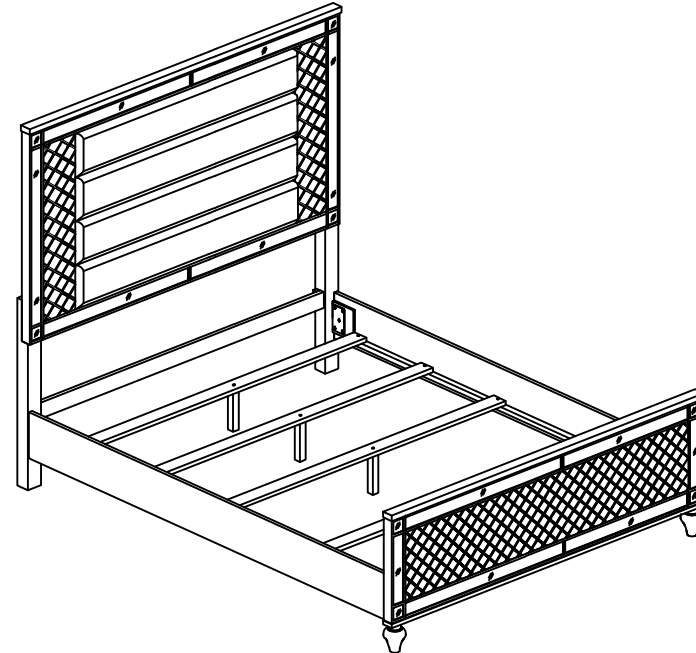
NO	ITEM	QTY
D	Footboard 	1PC
E	Legs 	2PCS
F	Slats 	4PCS
G	Support legs 	4PCS

(BOX 3)

NO	ITEM	QTY
H		2PCS

(BOX 1)  
HARDWARE LIST

NO	ITEM	QTY
1	Ø5/16"-18 x 2" L 	10 SET
2	4mm 	1 PC
3	1-3/16" 	8 PCS

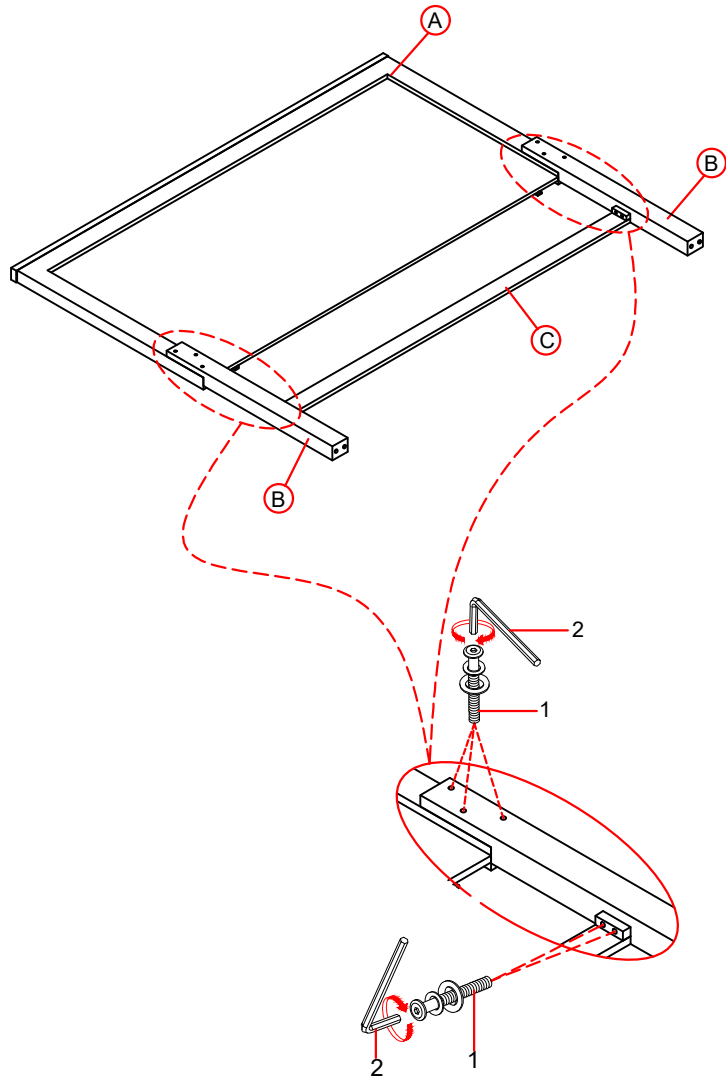


NOTE : DURING ASSEMBLY, DO NOT FULLY TIGHTEN ANY HARDWARE UNTIL THE COMPLETE UNIT HAS BEEN ASSEMBLED.

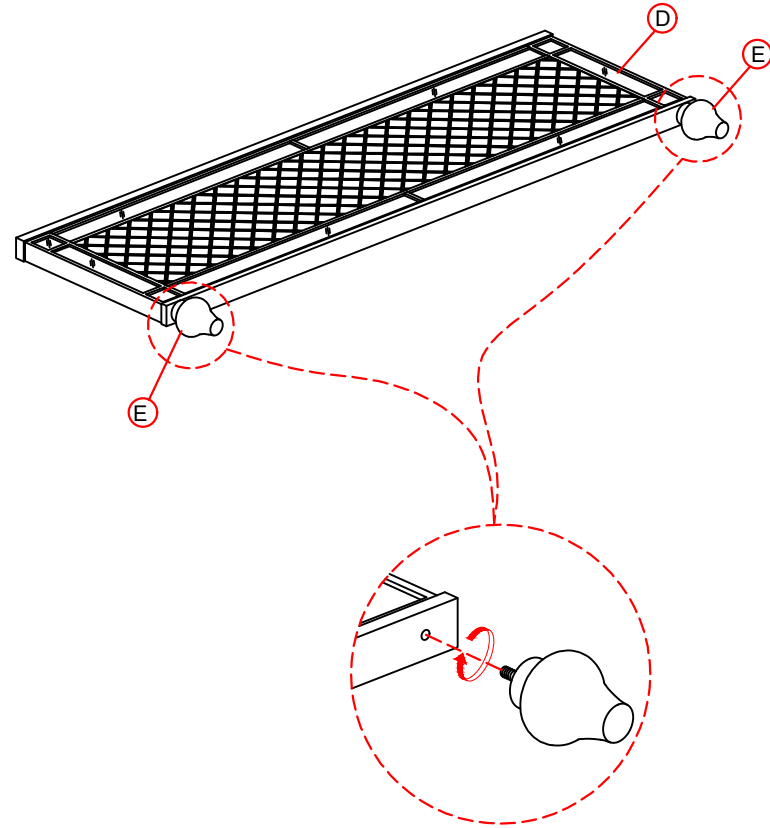
THE HARDWARE IS LOCATED IN THE PACKING ITEMS

NOTE : MUST TIGHTEN SCREWS PERIODICALLY WITH USE SCREWS WILL BECOME LOOSE.CHECK TIGHTNESS OF ALL SCREWS EVERY 6-8 WEEKS.

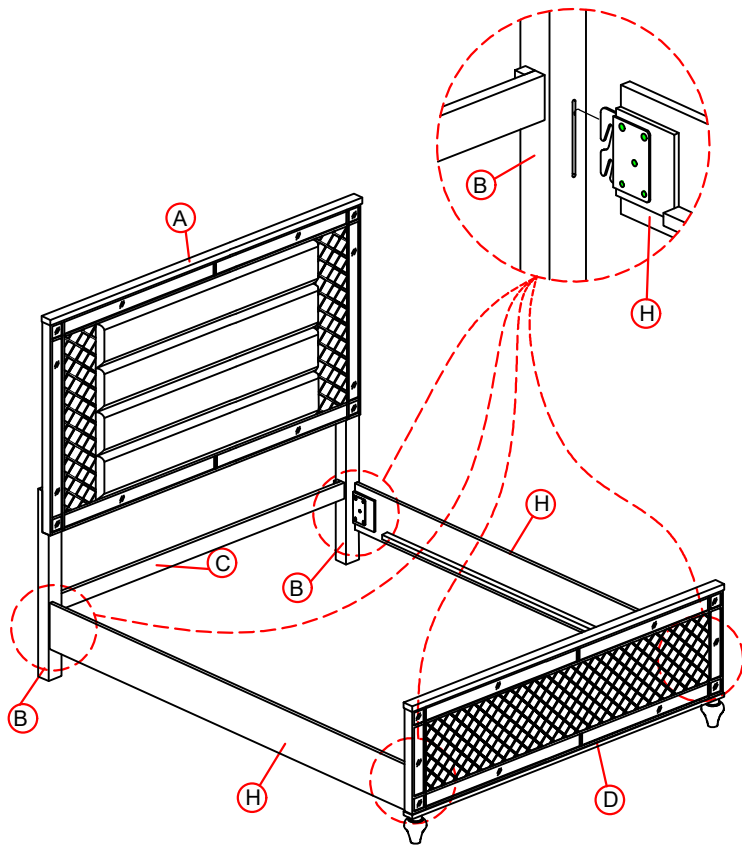
STEP 1



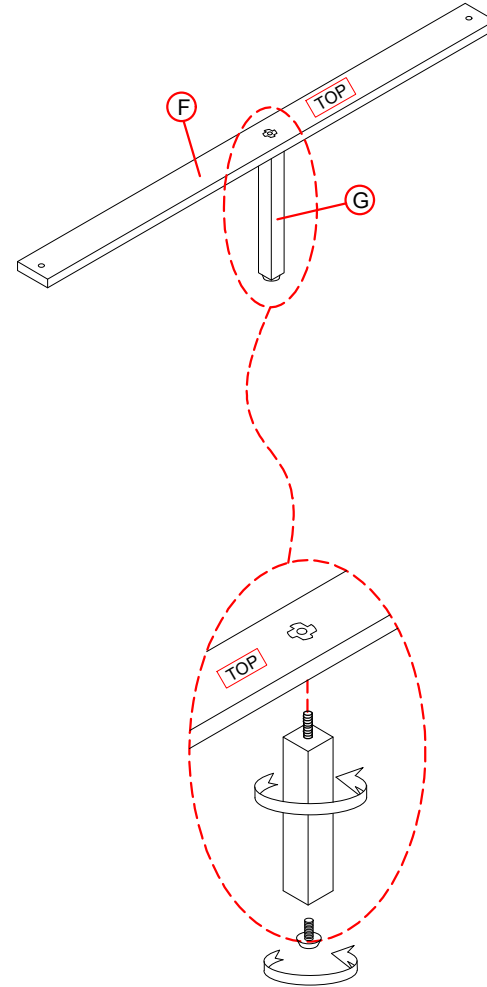
STEP 2



STEP 3

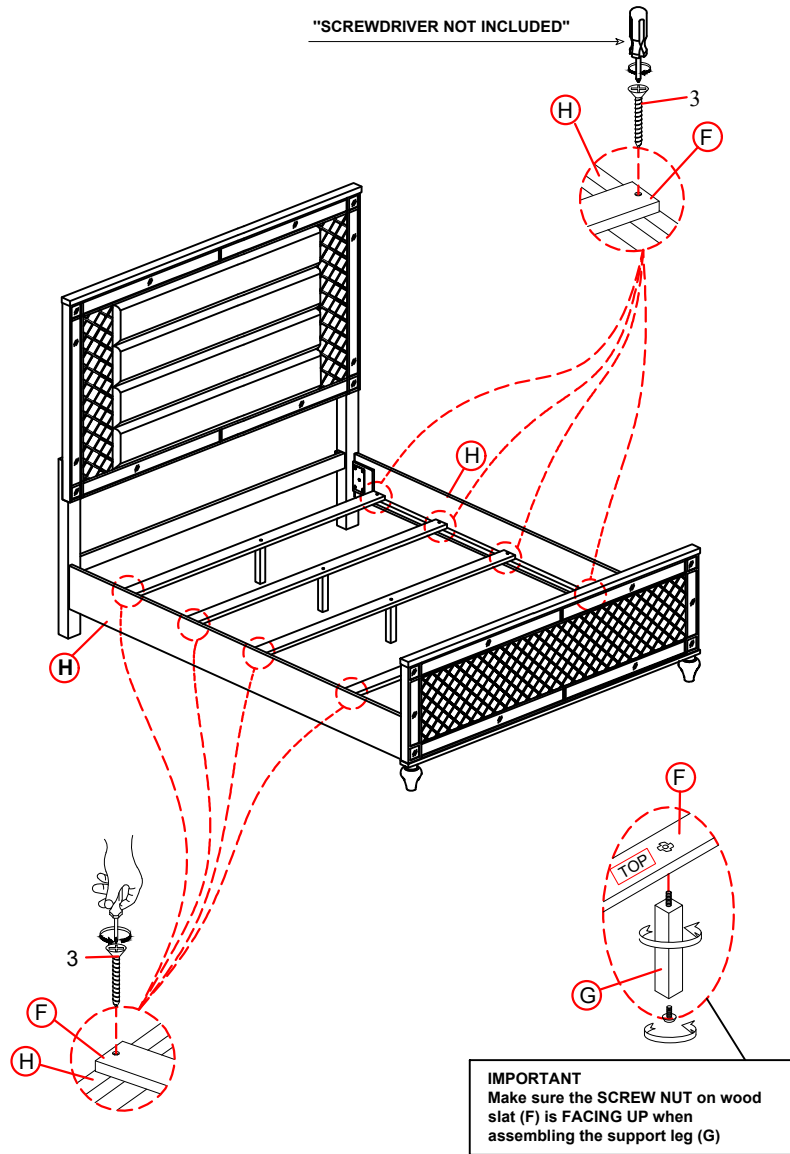


STEP 4



STEP 5

"SCREWDRIVER NOT INCLUDED"



STEP 6  
COMPLETED

