

# ASSEMBLY INSTRUCTION

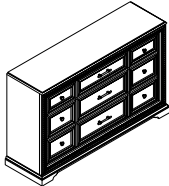
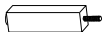
## INSTRUCCIONES

# B1650-1 DRESSER

## B1650-1 TOCADOR

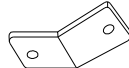

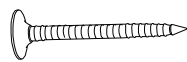

### PARTS LIST

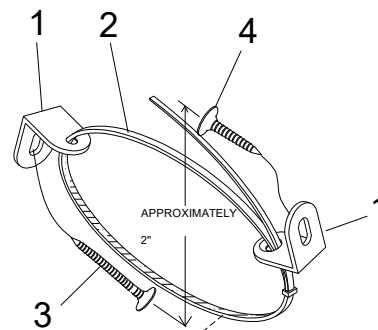
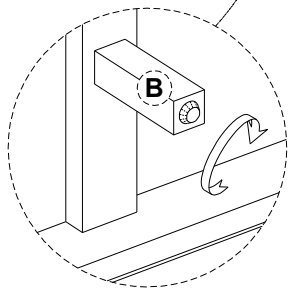
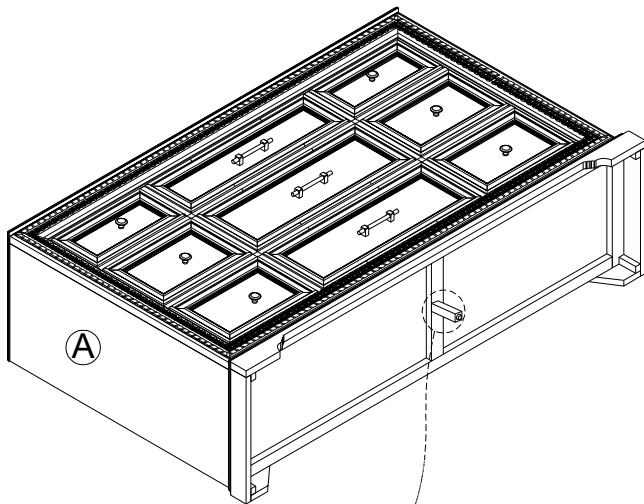
#### LISTA DE PARTES

|   |                          |   |                |
|---|--------------------------|---|----------------|
| A | DRESSER /<br>TOCADOR     |  | 1PC /<br>PIEZA |
| B | SUPPORT LEG /<br>SOPORTE |  | 1PC /<br>PIEZA |

### ANTI-TIPPING HARDWARE LIST

#### LISTA DE HARDWARE ANTI-TIPPING

|   |                          |   |                  |
|---|--------------------------|---|------------------|
| 1 | BRACKET                  |  | 2PCS /<br>PIEZAS |
| 2 | TIE WRAP                 |  | 1PC /<br>PIEZA   |
| 3 | LONG SCREW<br>#8x2" L    |  | 1PC /<br>PIEZA   |
| 4 | SHORT SCREW<br>#8x5/8" L |  | 1PC /<br>PIEZA   |



Anti-tipping kit is located inside the top right hand drawer

