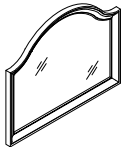
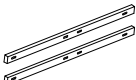




ASSEMBLY INSTRUCTIONS INSTRUCCIONES

B1620-11 DRESSER TOP B1620-11 TOPE DE TOCADOR

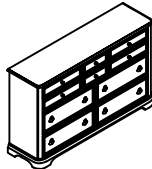
BOX OF MIRROR

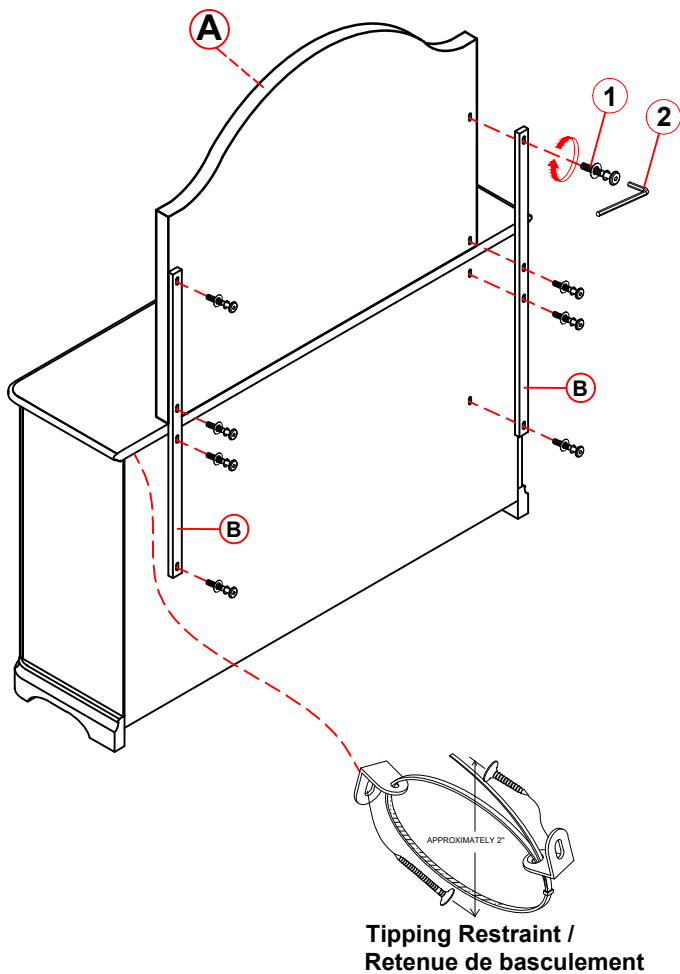
HARDWARE LIST BOX OF MIRROR

A	DRESSER TOP / TOPE DE TOCADOR		1PC / PIEZA
B	DRESSER SUPPORT		2PCS / PIEZAS

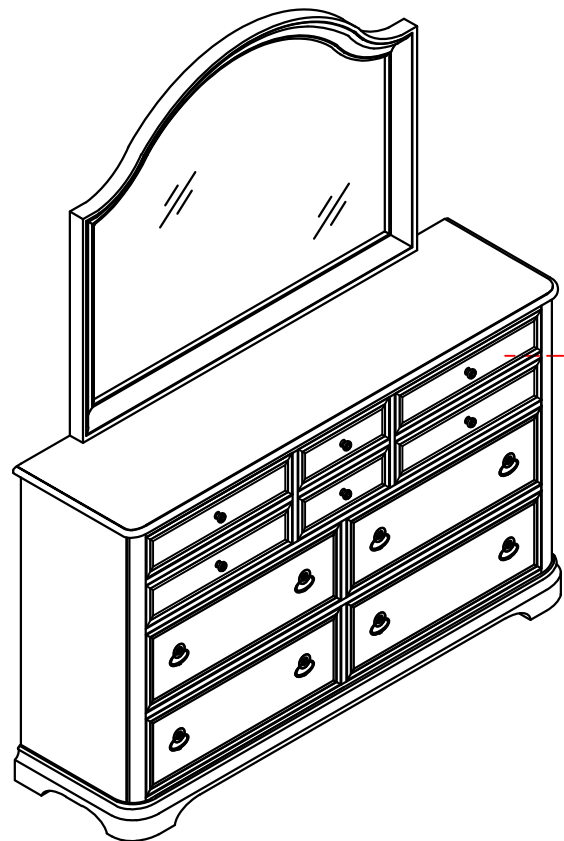
1	BLOT(Ø1/4" - 20 x 1-1/2")		8 PCS / PIEZAS
2	ALLEN WRENCH		1PC / PIEZA

BOX OF DRESSER

C	DRESSER / TOCADOR		1PC / PIEZA
----------	----------------------	---	------------------------



Anti-tipping kit is located inside
the top right hand drawer



COMPLETED DRESSER & MIRROR ASSEMBLY