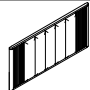




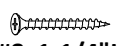
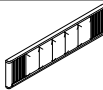
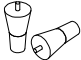





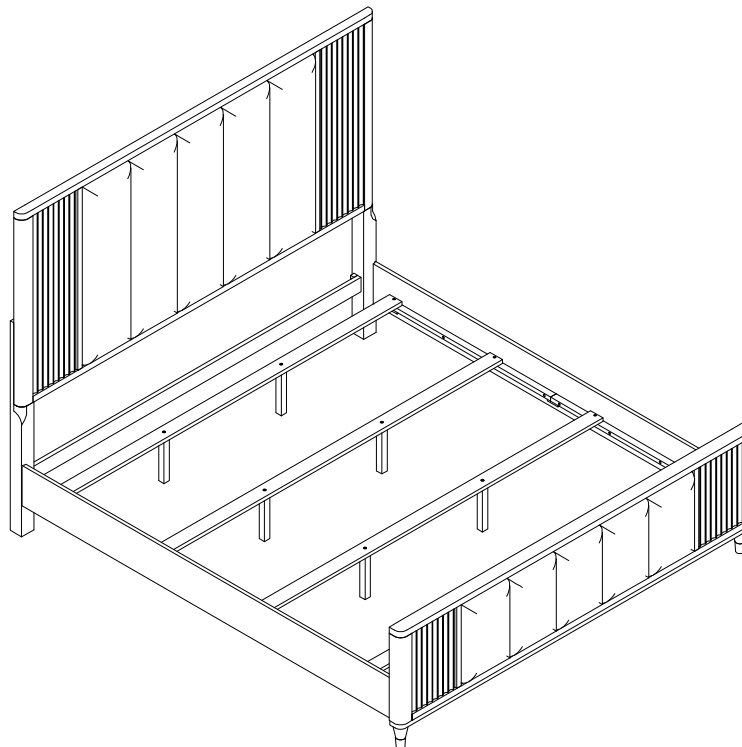
ASSEMBLY INSTRUCTIONS INSTRUCCIONES

B1400 KING BED B1400 CAMA KING

(BOX 1) BOX 1 OF HEADBOARD			
NO	DESCRIPTION	OUTLOOK	QT.
1	HEADBOARD		1
2	K/D LEG (L/R)		2
3	STRETCHER		1
(BOX 1) HARDWARE LIST			
NO	DESCRIPTION	OUTLOOK	QT.
A	BOLT	 Ø5/16"-18x2"L	10
B	ALLEN KEY	 5MM	1
C	SCREW	 #8x1-1/4"L	8

(BOX 2) BOX 2 OF FOOTBOARD			
NO	DESCRIPTION	OUTLOOK	QT.
4	FOOTBOARD		1
5	BUN FOOT		2
6	SLATS		4
7	SUPPORT LEG		8
(BOX 3) BOX 3 OF SIDE RAIL			
NO	DESCRIPTION	OUTLOOK	QT.
8	SIDE RAIL (R/L)		2

THE HARDWARE IS LOCATED IN THE PACKING ITEMS.

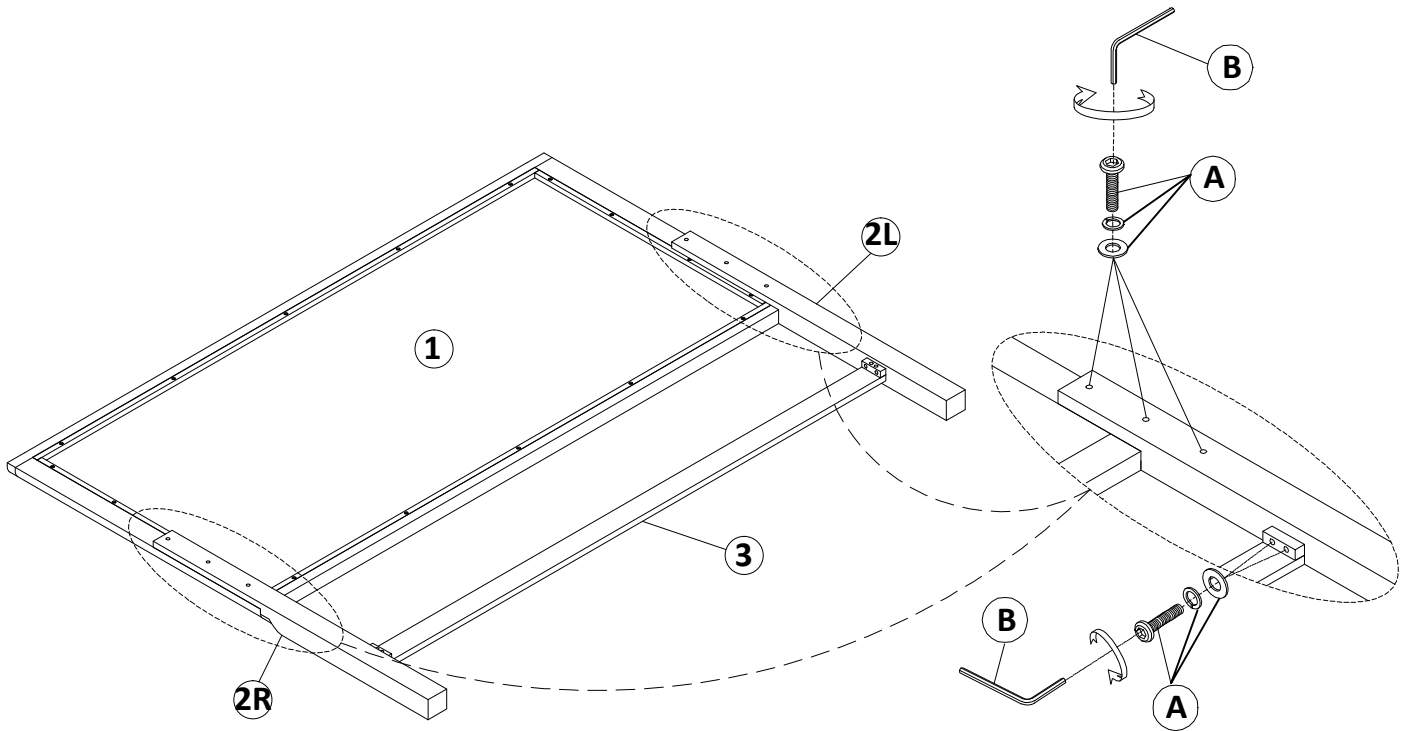


NOTE : DURING ASSEMBLY, DO NOT FULLY TIGHTEN ANY HARDWARE UNTIL THE COMPLETE UNIT HAS BEEN ASSEMBLED.

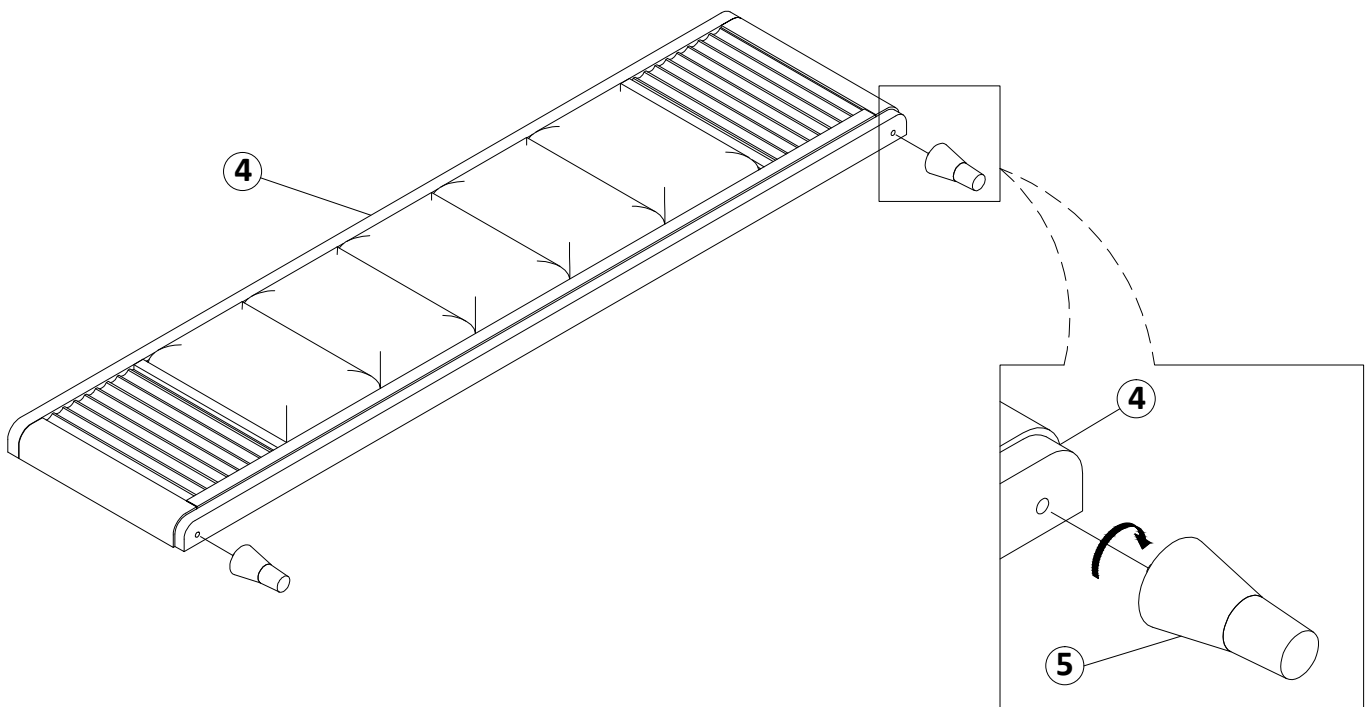
ASSEMBLY INSTRUCTIONS INSTRUCCIONES

B1400 KING BED B1400 CAMA KING

STEP 1



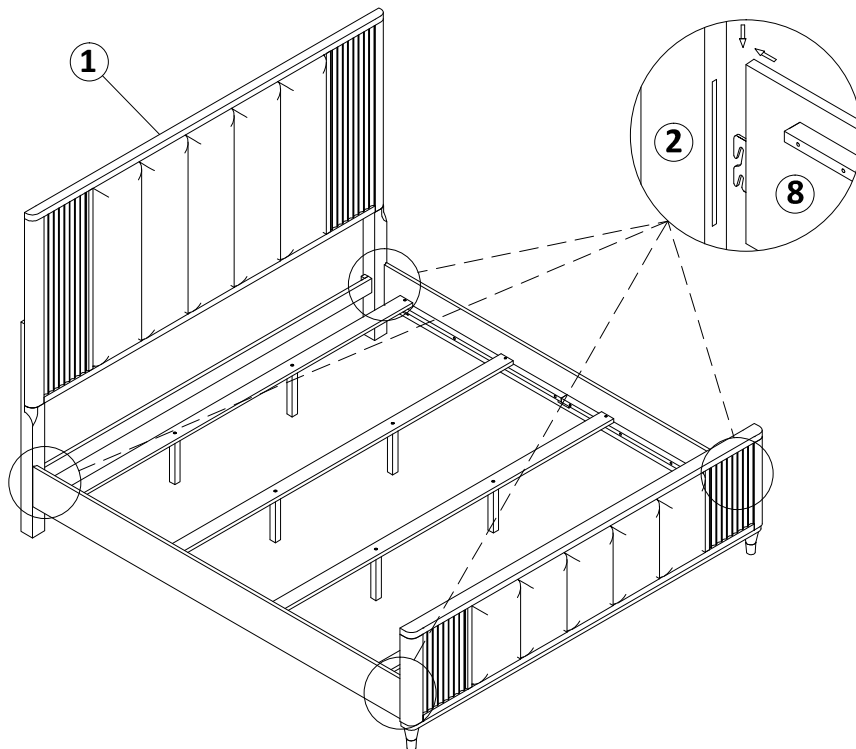
STEP 2



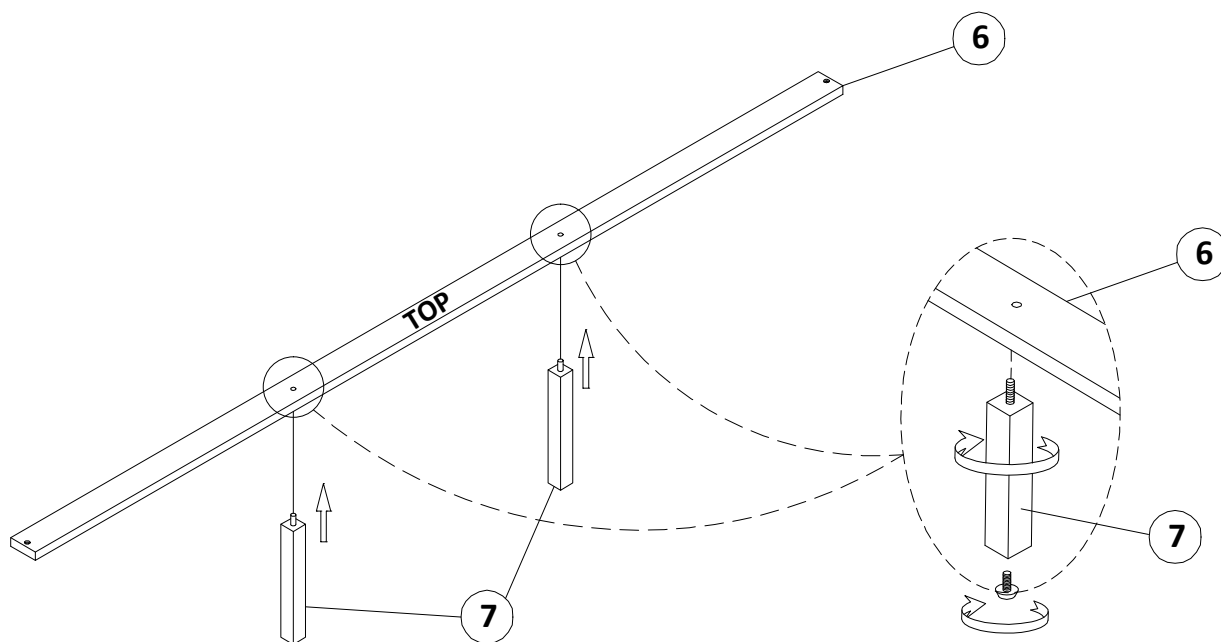
ASSEMBLY INSTRUCTIONS INSTRUCCIONES

B1400 KING BED B1400 CAMA KING

STEP 3



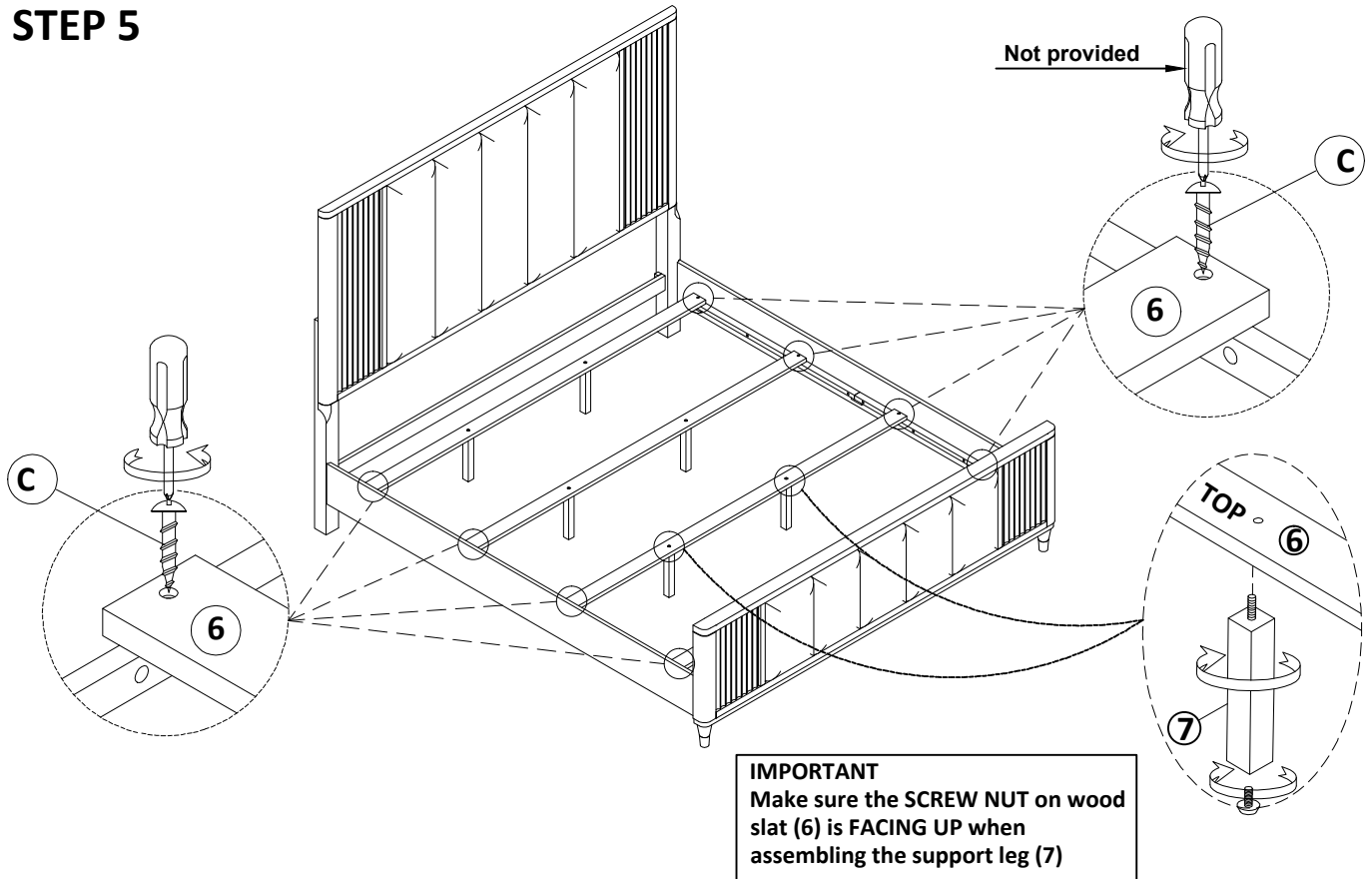
STEP 4



ASSEMBLY INSTRUCTIONS INSTRUCCIONES

B1400 KING BED B1400 CAMA KING

STEP 5



STEP 6

