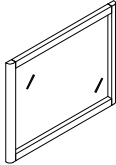



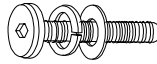

ASSEMBLY INSTRUCTIONS INSTRUCCIONES

B1400-11 DRESSER TOP B1400-11 TOPE DE TOCADOR


PART LIST: BOX OF MIRROR

NO.	DESCRIPTION	OUTLOOK	QT.
A	DRESSER TOP		1
B	DRESSER SUPPORT		2

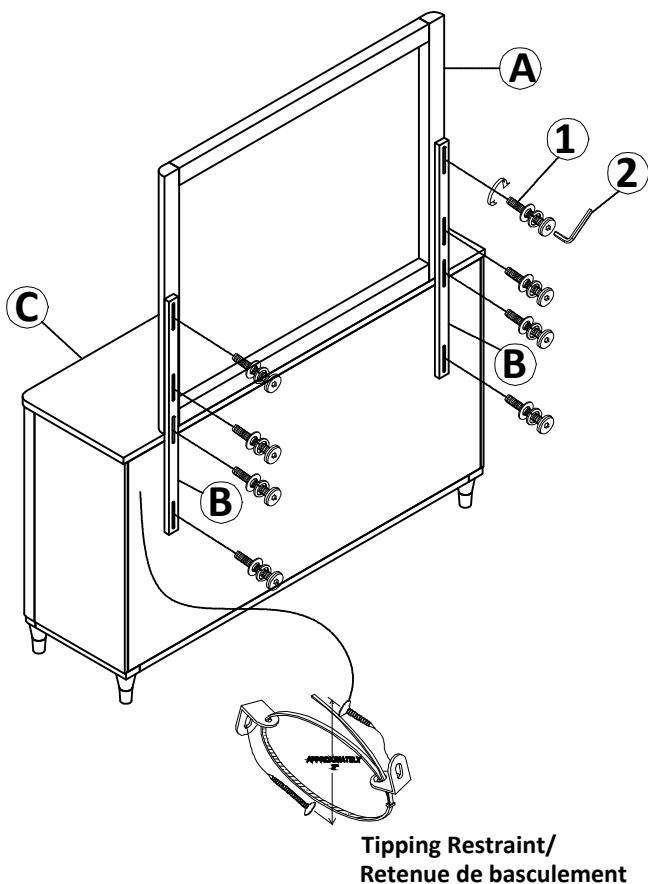
HARDWARE LIST: BOX OF MIRROR

NO.	DESCRIPTION	OUTLOOK	SIZE	QT.
1	BOLT		Ø1/4"-20x1-1/2"L	8
2	ALLEN WRENCH		4MM	1

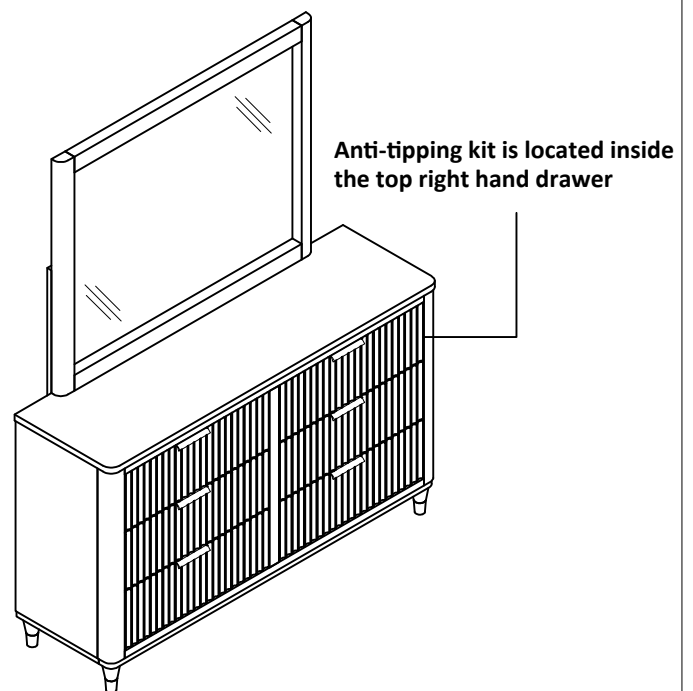
PART LIST: BOX OF DRESSER

NO.	DESCRIPTION	OUTLOOK	QT.
C	DRESSER		1

STEP 1



STEP 2



**DO NOT TIGHTEN ALL BOLTS UNTIL COMPLETELY ASSEMBLED.
NO APRETAR LOS TORNILLOS HASTA ARMAR COMPLETAMENTE.**