







# ASSEMBLY INSTRUCTIONS INSTRUCCIONES

# B1200-2 NIGHTSTAND B1200-2 BURO

## PARTS LIST:

No.	OUTLOOK	DESCRIPTION	QT.
1		NIGHTSTAND	1
2		LEG	4

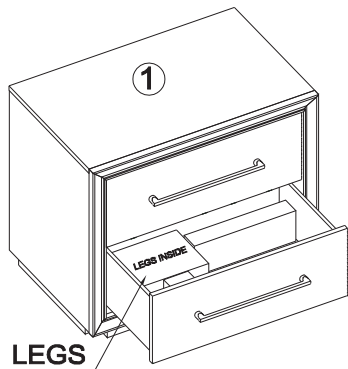
## HARDWARE LIST:

No.	OUTLOOK	DESCRIPTION	SIZE	QT.
A		HEX NUT	Ø5/16" x 1/2"	4
B		LOCK WASHER	Ø5/16"	4
C		FLAT WASHER	Ø5/16"	4
D		HEX WRENCH	Ø5/16"	1

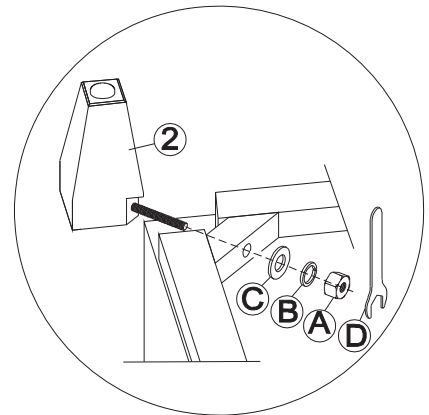
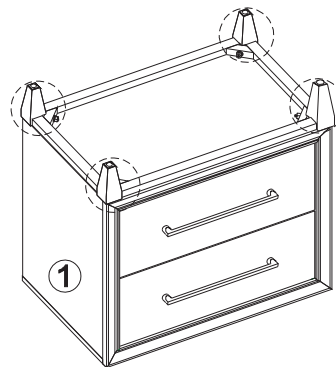
## ANTI-TIPPING HARDWARE LIST:

No.	OUTLOOK	DESCRIPTION	SIZE	QT.
E		BRACKET	1/2" x 1"L	2
F		TIE WRAP	#6 x 11-3/8"L	1
G		LONG SCREW	#8 x 2"L	1
H		SHORT SCREW	#8 x 5/8"L	1

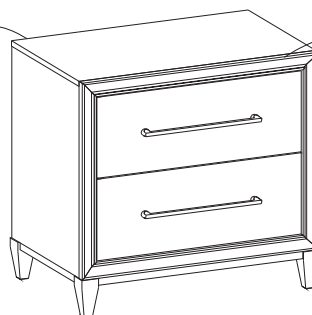
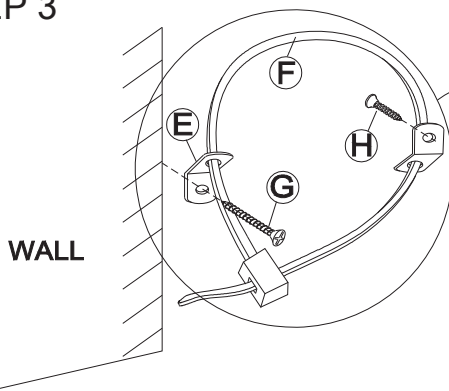
### STEP 1



### STEP 2



### STEP 3



Anti-tipping kit is located inside the top drawer.

THE HARDWARE IS LOCATED IN THE PACKING ITEMS.

NOTE:  
DURING ASSEMBLY DO NOT FULLY TIGHTEN ANY HARDWARE UNTIL THE COMPLETE UNIT HAS BEEN ASSEMBLED.