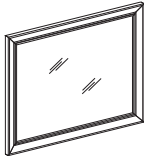

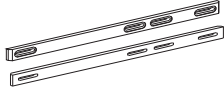


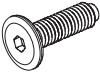



ASSEMBLY INSTRUCTIONS INSTRUCCIONES

B1200-11 DRESSER TOP B1200-11 TOPE DE TOCADOR

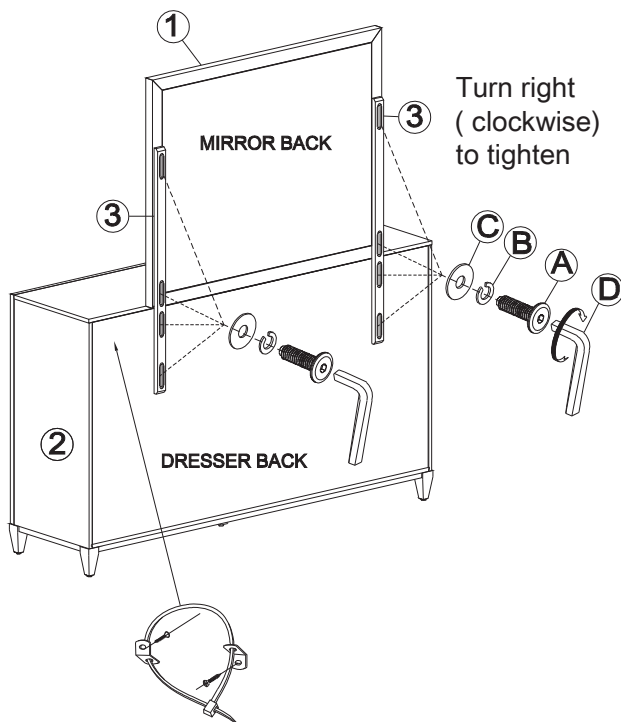
PARTS LIST:

No.	OUTLOOK	DESCRIPTION	QT.
1		DRESSER TOP	1
2		DRESSER	1
3		WOOD SUPPORT	2

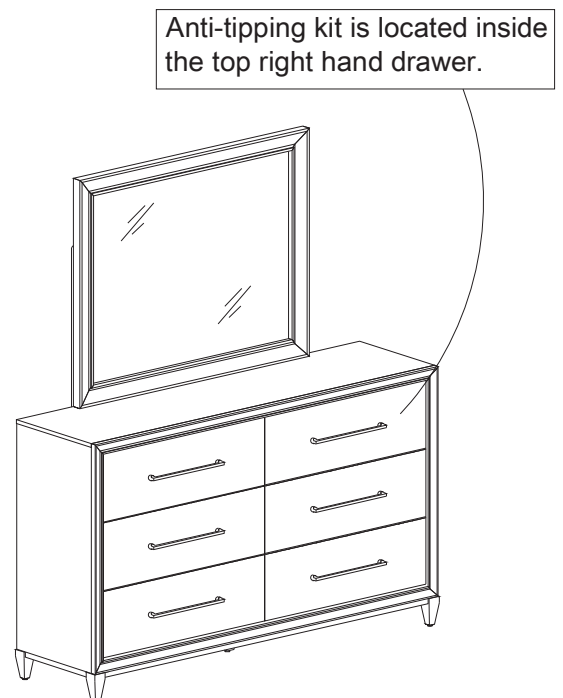
HARDWARE LIST:

No.	OUTLOOK	DESCRIPTION	SIZE	QT.
A		BOLT	Ø1/4" x 1-1/4"	8
B		LOCK WASHER	Ø1/4"	8
C		FLAT WASHER	Ø1/4" x 3/4"	8
D		ALLEN WRENCH	4mm	1

STEP 1



STEP 2



THE HARDWARE IS LOCATED
IN THE PACKING ITEMS.

NOTE:
DURING ASSEMBLY DO NOT FULLY
TIGHTEN ANY HARDWARE UNTIL THE
COMPLETE UNIT HAS BEEN ASSEMBLED.