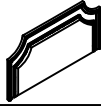










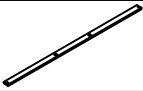
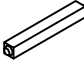
ASSEMBLY INSTRUCTION

MODEL: B1130- KING BED

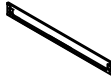
BOX 1 BOX OF HEADBOARD

1		HEADBOARD	1 PC/ PIEZA
2		FINAL FOR HB	1 PC/ PIEZA
3		HEADBOARD POST (L/R)	2 PCS/ PIEZAS
4		HEADBOARD POST FINAL	2 PCS/ PIEZAS
5		STRETCHER	1 PC/ PIEZA
6		CONNECT BOARD	2 PCS/ PIEZAS








BOX 2 BOX OF FOOTBOARD

7		FOOTBOARD	1 PC/ PIEZA
8		FOOTBOARD POST FINAL	2 PCS/ PIEZAS
9		FOOTBOARD LEG	2 PCS/ PIEZAS
10		SLAT	4 PCS/ PIEZAS
11		SUPPORT LEG	8 PCS/ PIEZAS

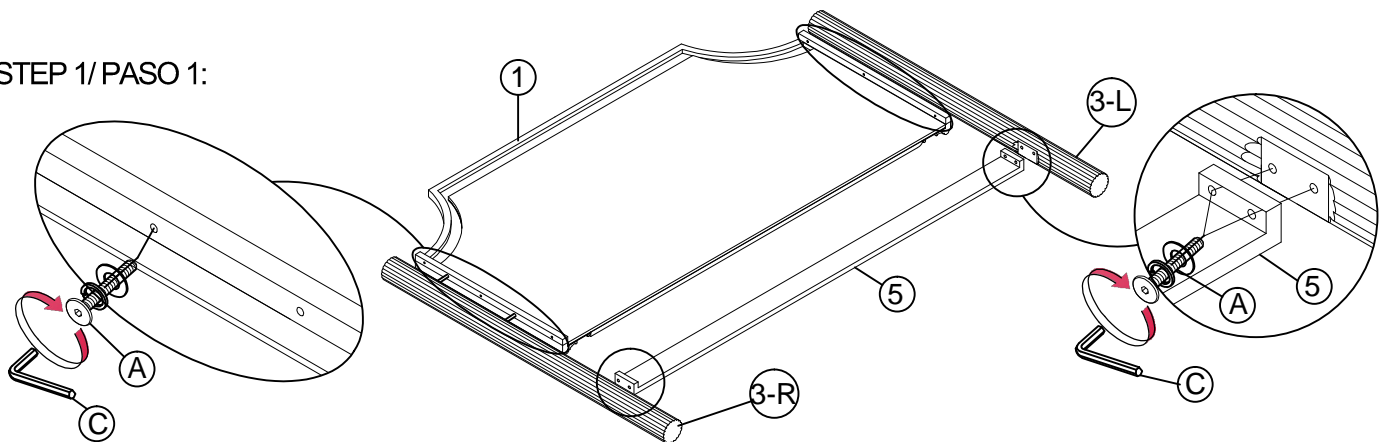
BOX 3 BOX OF RAIL

12		SIDE RAIL (L/R)	2 PCS/ PIEZAS
----	--	-----------------	------------------

BOX 1 HARDWARE LIST

A		Ø5/16"x18x*2"L	10PCS/ PIEZAS
B		Ø1/4"x20x1-3/8"L	4PCS/ PIEZAS
C		M4	1PC/ PIEZA
D		Ø5/16x12mm	8PCS/ PIEZAS
E		Ø12mm	1PC/ PIEZA
F		Ø5/16x90mm	8PCS/ PIEZAS
G		#4x30mm	8PCS/ PIEZAS

STEP 1/PASO 1:



THE HARDWARE IS LOCATED
IN THE PACKING ITEMS.

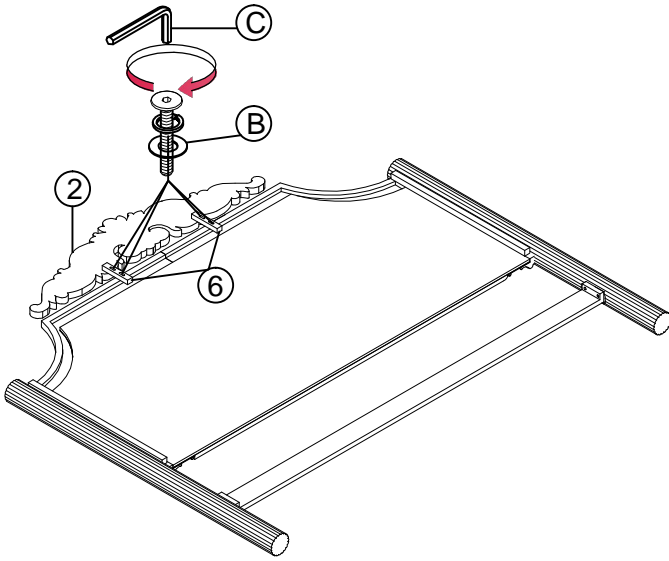
NOTE:
DURING ASSEMBLY DO NOT FULLY TIGHTEN
ANY HARDWARE UNTIL THE COMPLETE UNIT
HAS BEEN ASSEMBLED.

NOTE: MUST TIGHTEN SCREWS PERIODCALLY WITH USE SCREWS WILL
BECOME LOOSE. CHECK TIGHTNESS OF ALL SCREWS EVERY 6-8 WEEKS.

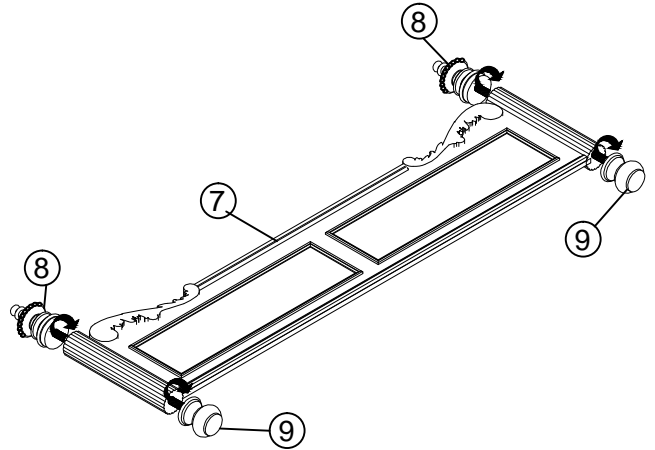
ASSEMBLY INSTRUCTION

MODEL: B1130- KING BED

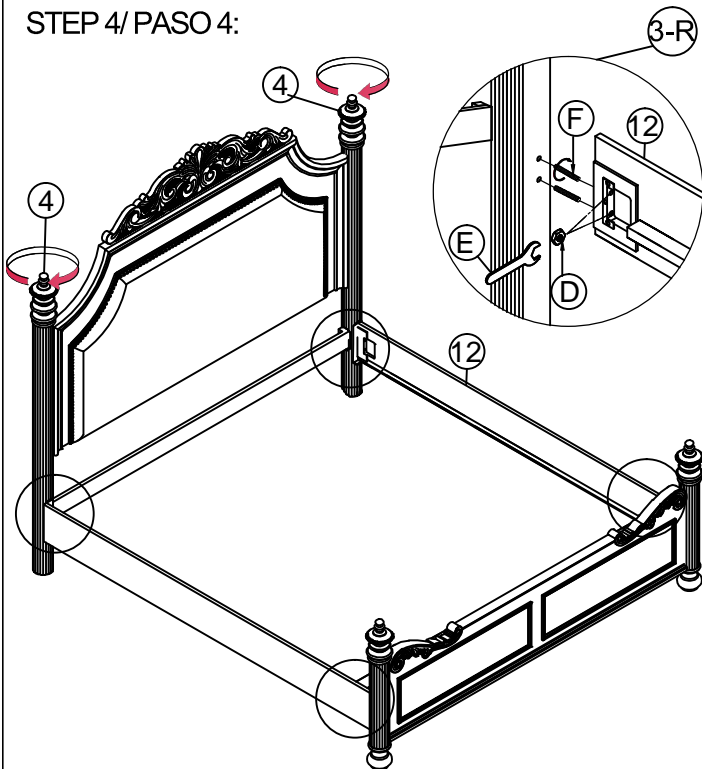
STEP 2/ PASO 2:



STEP 3/ PASO 3:

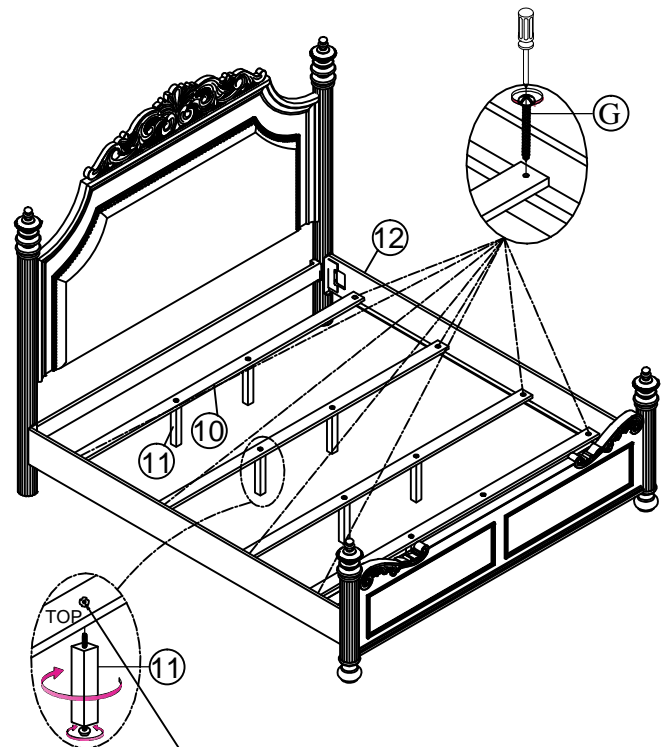


STEP 4/ PASO 4:



STEP 5/ PASO 5:

"SCREWDRIVER NOT INCLUDED"



IMPORTANT:

Make sure the SCREW NUT on wood slat(10) is FACING UP when assembling the support leg(11)

NOTE: MUST TIGHTEN SCREWS PERIODCALLY WITH USE SCREWS WILL BECOME LOOSE. CHECK TIGHTNESS OF ALL SCREWS EVERY 6-8 WEEKS.