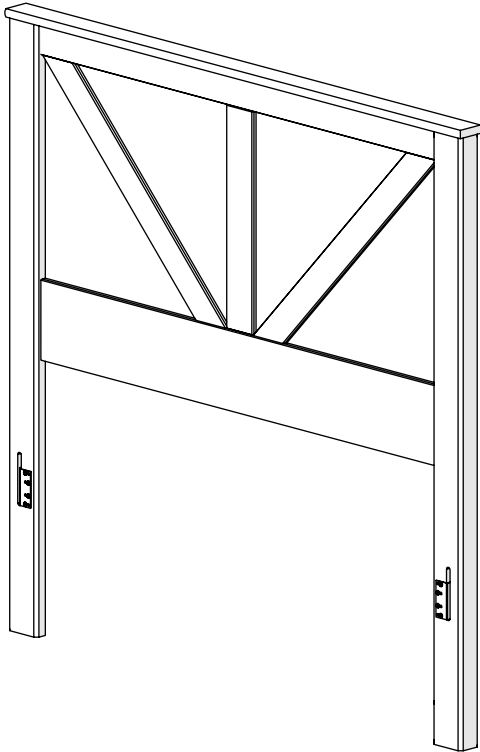
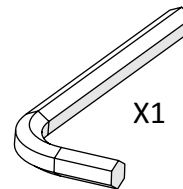
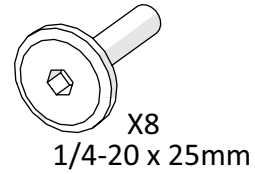
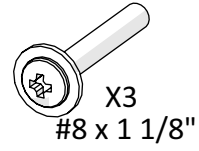


# 175544 Assembly Instructions

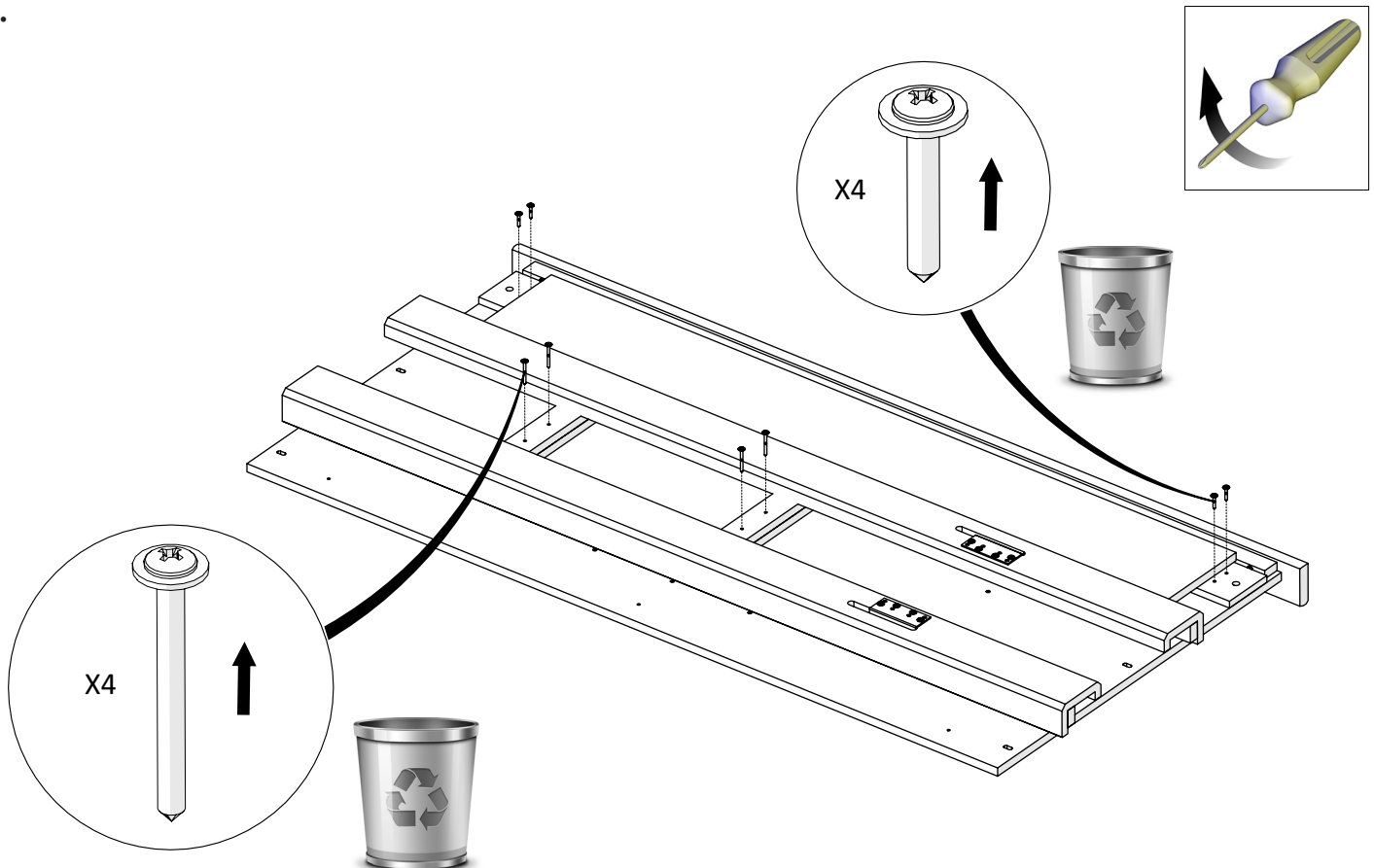


## Hardware Components

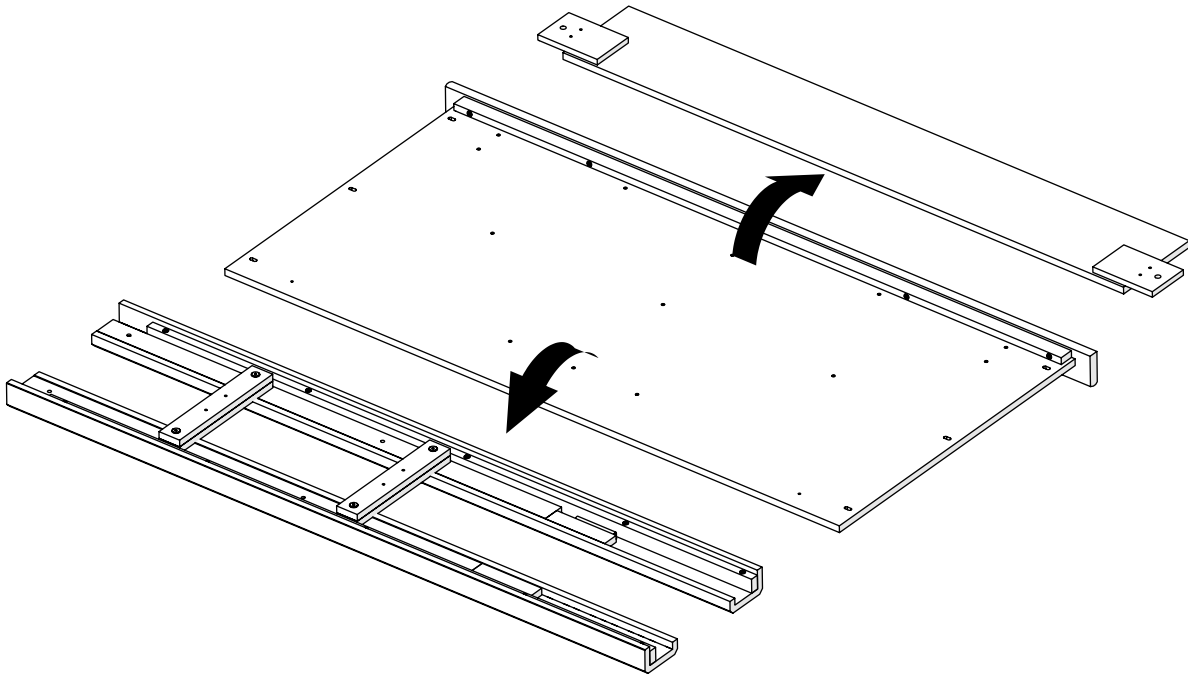
This bag contains small parts that present a choking hazard for children under 3 years of age. These parts are for adult assembly only and should be permanently affixed to the furniture. Any unused parts should be discarded properly.



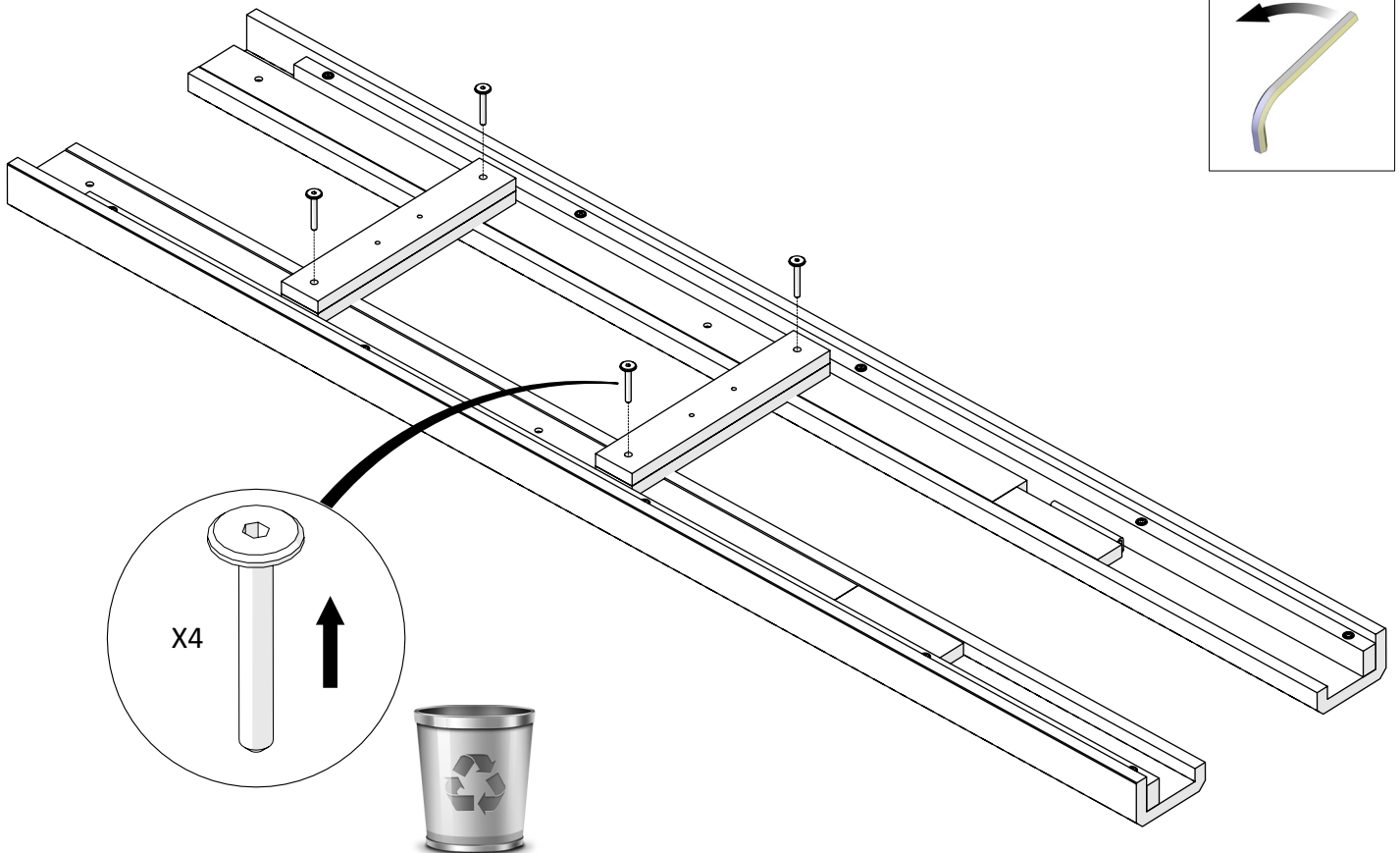
1.



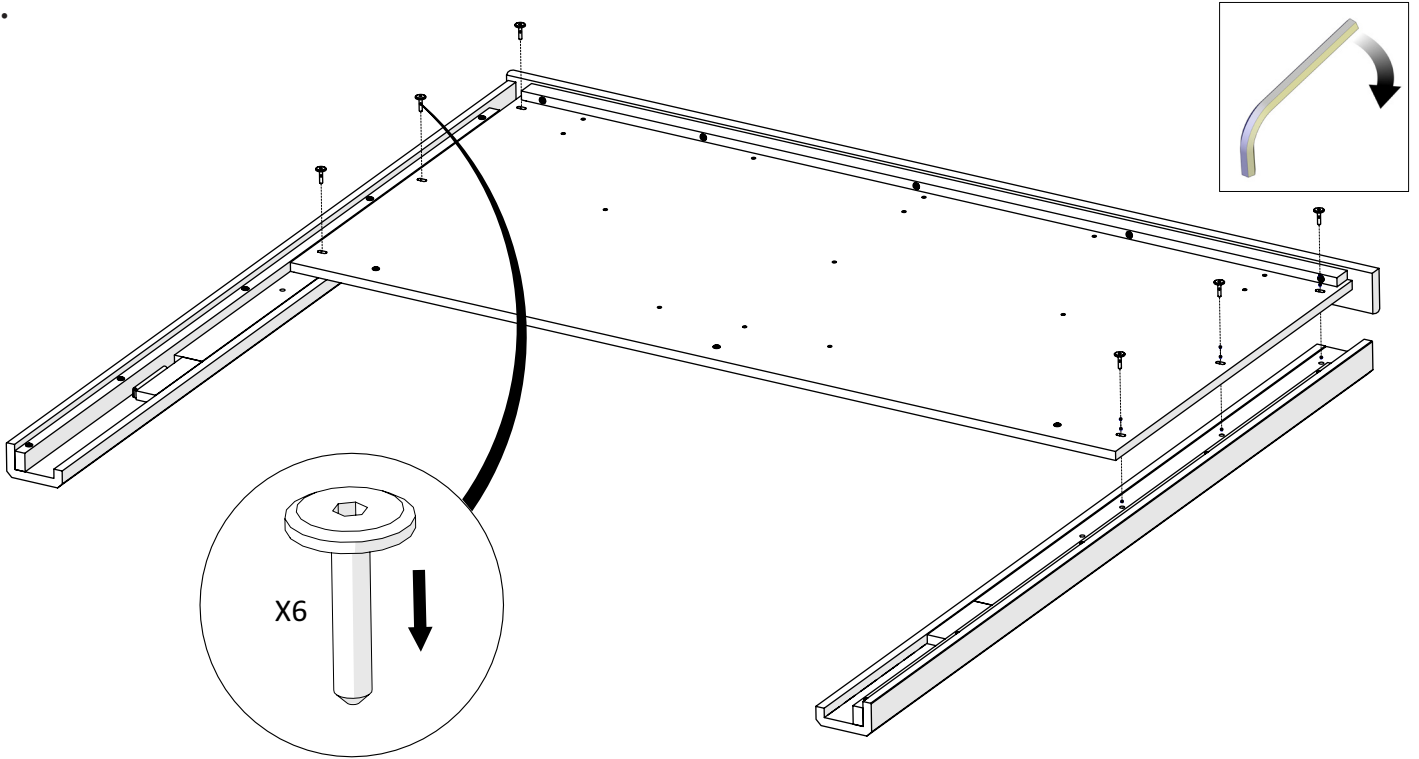
2.



3.



4.



5.

