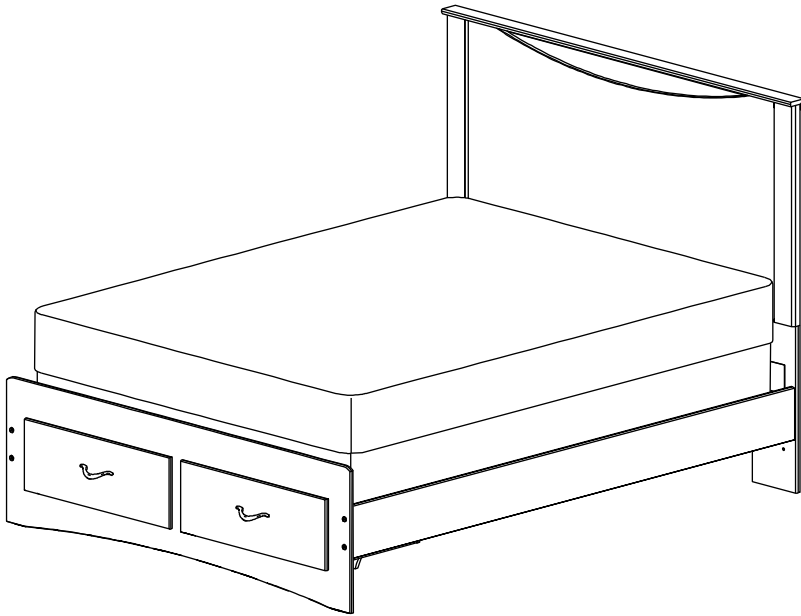


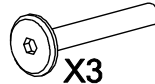
# 134843 Assembly Instructions

## Hardware Components

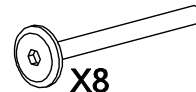
This bag contains small parts that present a choking hazard for children under 3 years of age. These parts are for adult assembly only and should be permanently affixed to the furniture. Any unused parts should be discarded properly.



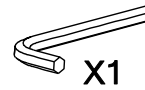
X8



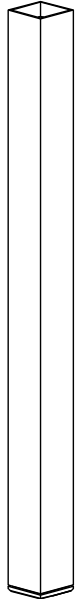
X3  
1/4-20 x 45mm



X8  
1/4-20 x 60mm

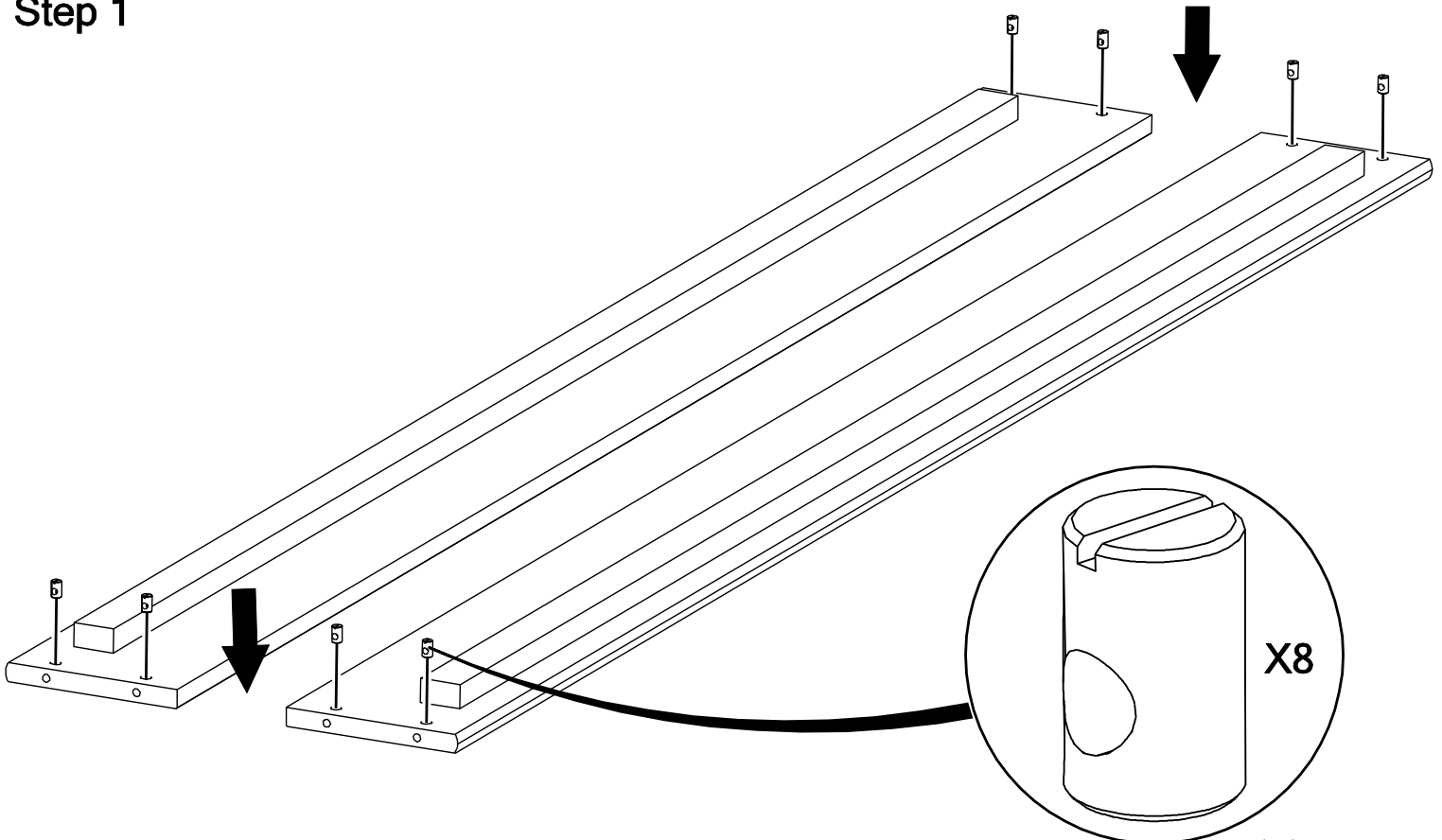


X1

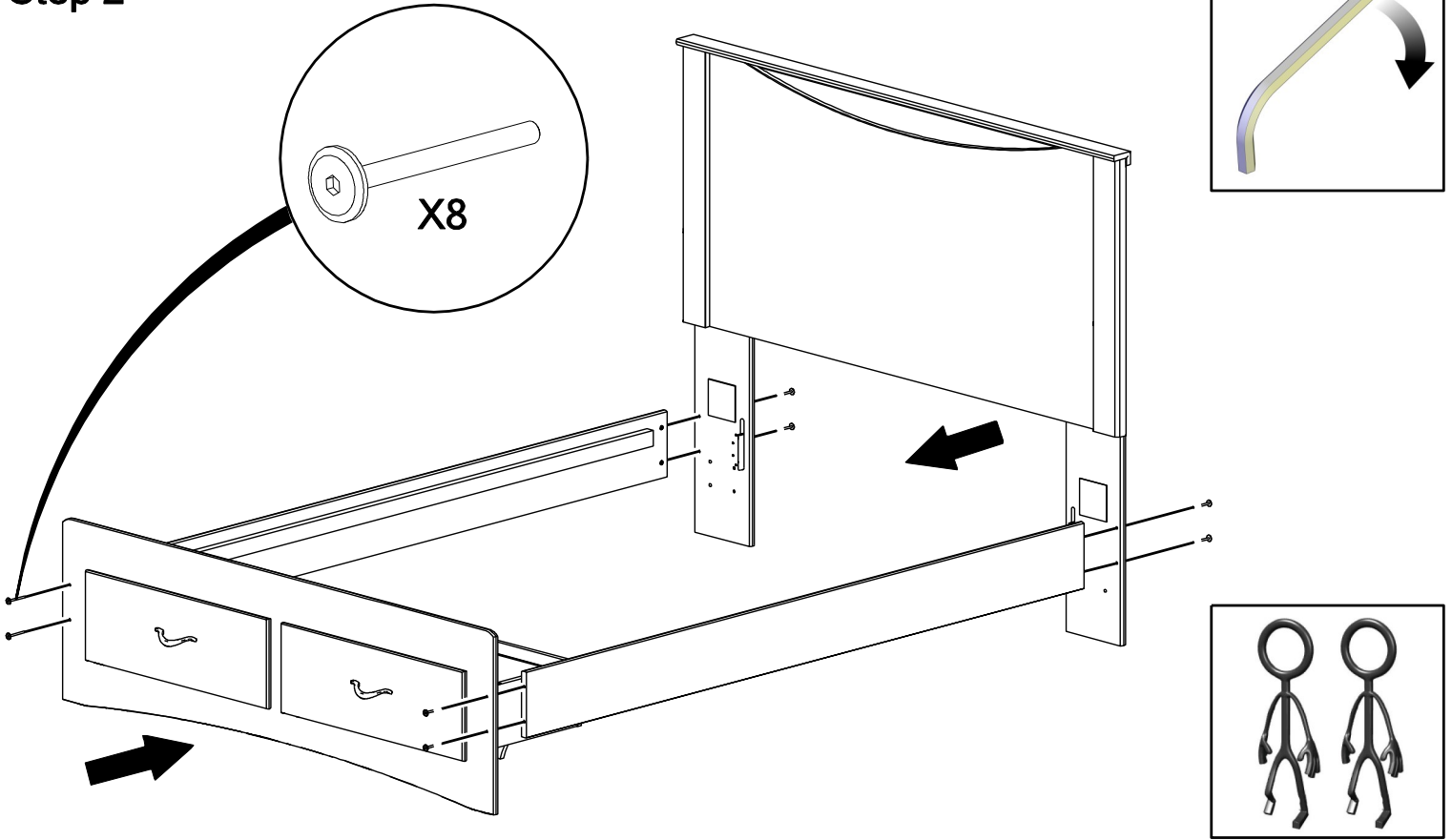


X3

## Step 1



## Step 2



## Step 3

See Roll Slat Assembly Instructions

