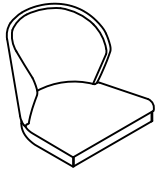




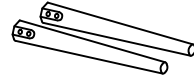
Product Assembly Instructions

LCJNSIBLCH / LCJNSIWABLU/ LCJNSIWACH/ LCJNSIWAOR

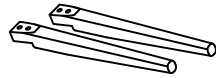
PART LIST



A: CUSHION SEAT & BACK REST x1



B: FRONT LEG x2



C: BACK LEG x2

HARDWARE LIST



D: JCBC SCREW M6 x 40mm x4



E: JCBC SCREW M6 x 50mm x4



F: SPRING WASHER 1/4" x8



G: FLAT WASHER 1/4" x8

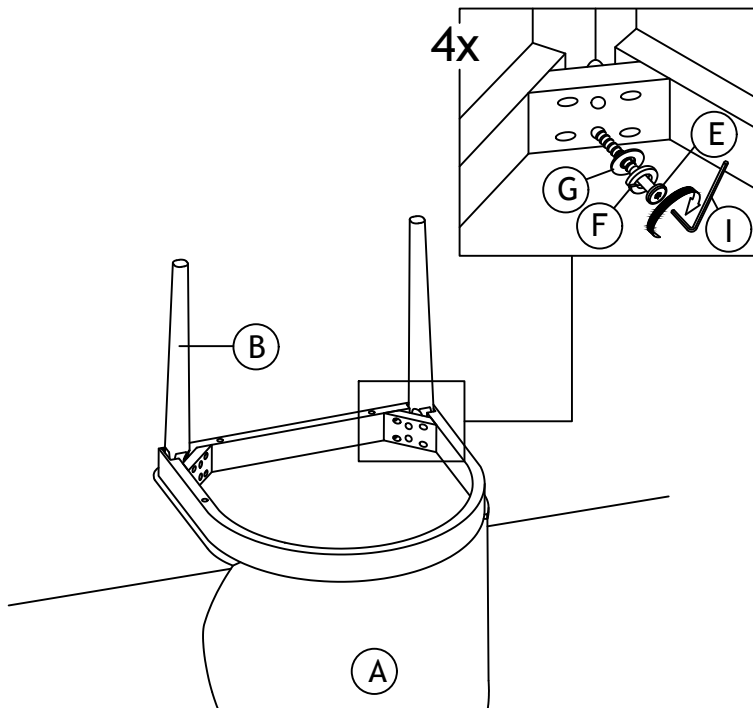


H: WOOD DOWEL 8 X 35MM x2

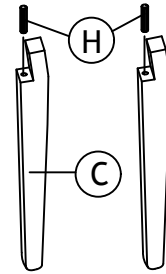


I: ALLEN KEY M4 (BALL SHAPE) x1

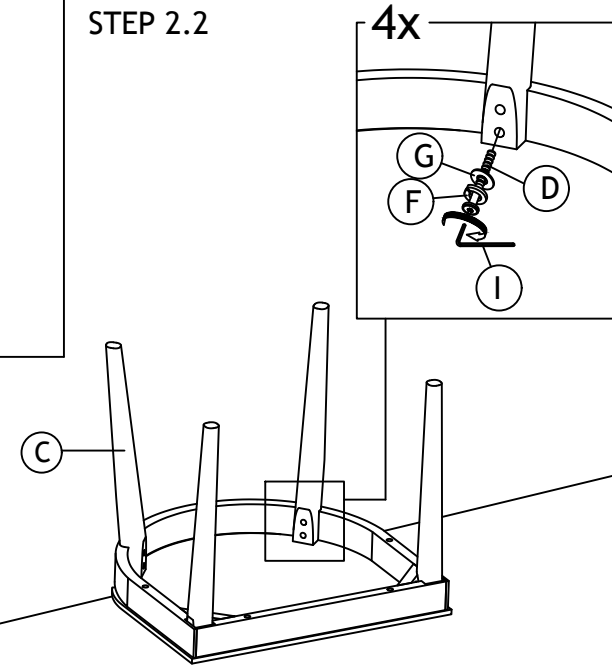
STEP 1



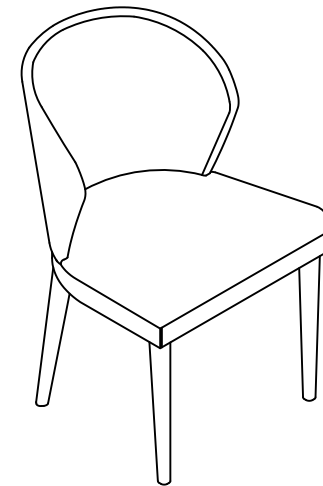
STEP 2.1



STEP 2.2



STEP 3



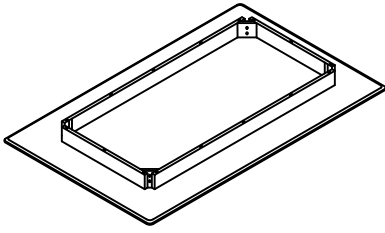
ASSEMBLY COMPLETED



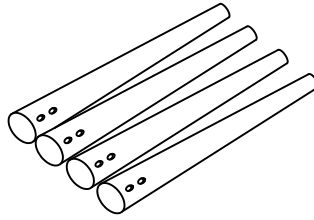
Product Assembly Instructions

LCWEDIBL/LCWEDIWA

PART LIST



A : TABLE TOP x1



B : TABLE LEG x4

HARDWARE LIST



C : JCB SCREW M8 x 70mm x8



D : SPRING WASHER 5/16" x8

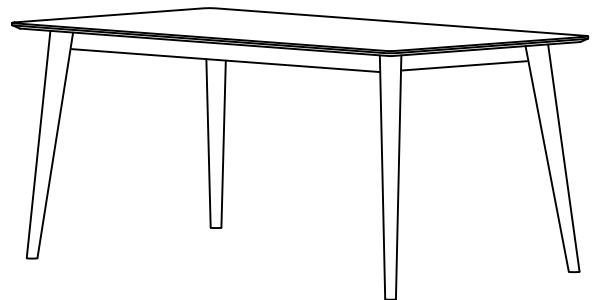
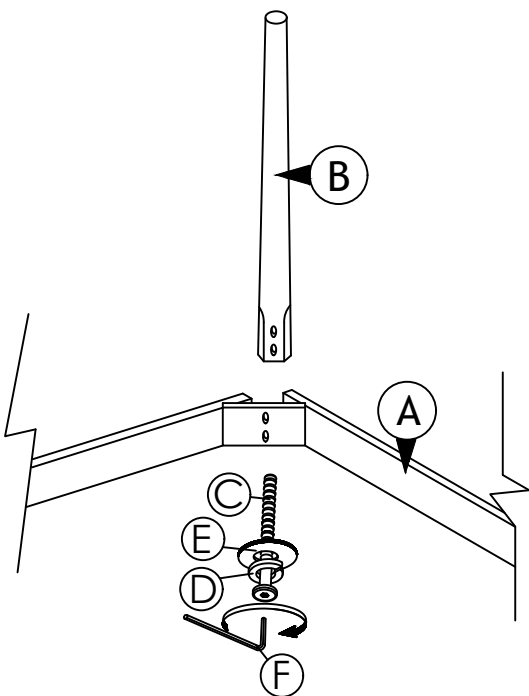


E : FLAT WASHER 5/16" x8



F : ALLEN KEY M5 x1

STEP 1



ASSEMBLY COMPLETED